

ARJOHUNTLEIGH

GETINGE GROUP

Carendo
PARTS LIST



CE

General information

How to order

Before ordering spare parts, study the exploded view closely and make sure that you note all involved spare parts.

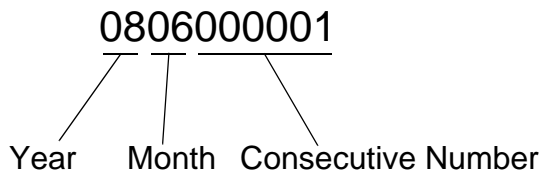
Please note that gaskets and o-rings normally are included in kits and can not be ordered separately.

When taking contact with ArjoHuntleigh Parts sales always have the following information at hand:

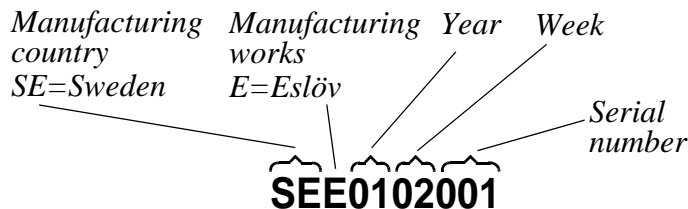
- Correct name of the product. See type label.
- The batch/control number of the product. See labels.

Serial Number From June 2008

The serial number consists of the following parts:



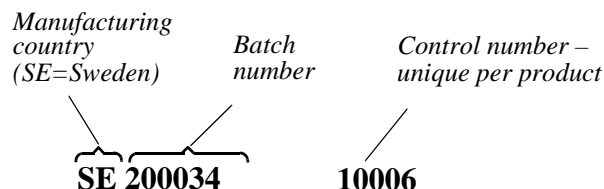
Manufacturing country and Manufacturing Works can no longer be readout.



Serial number
June 2001- June 2008

*Example of
identification label*

Old batch and control number (up to june 2001)



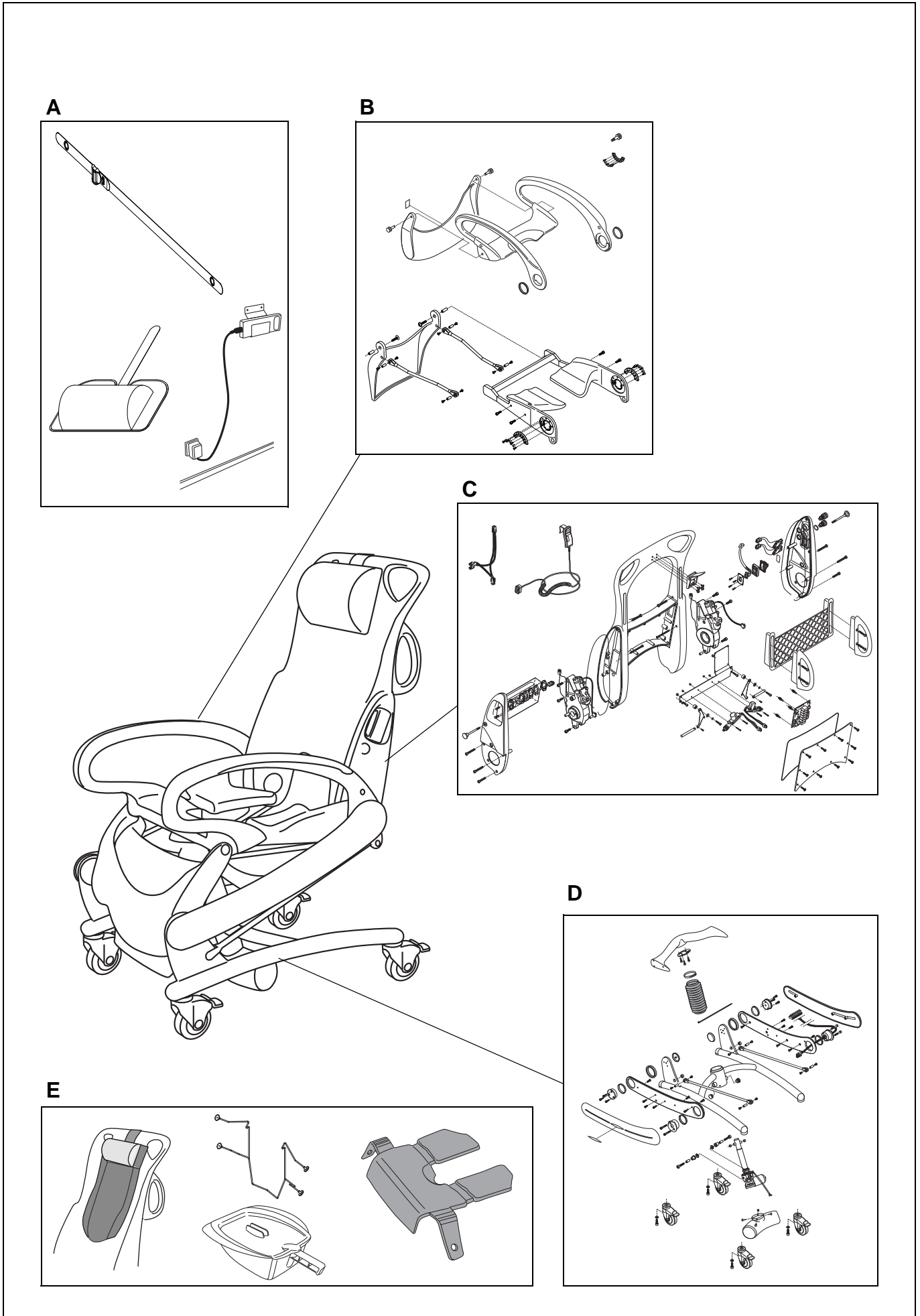
Contents

Overview	4
A General	6
B Seat and Care raiser	8
C Back rest	10
D Chassis and raiser	14
E Accessories	16
Preventive Maintenance Parts/Recommended Spares	17
Service Articles and Special Tools	18

Overview

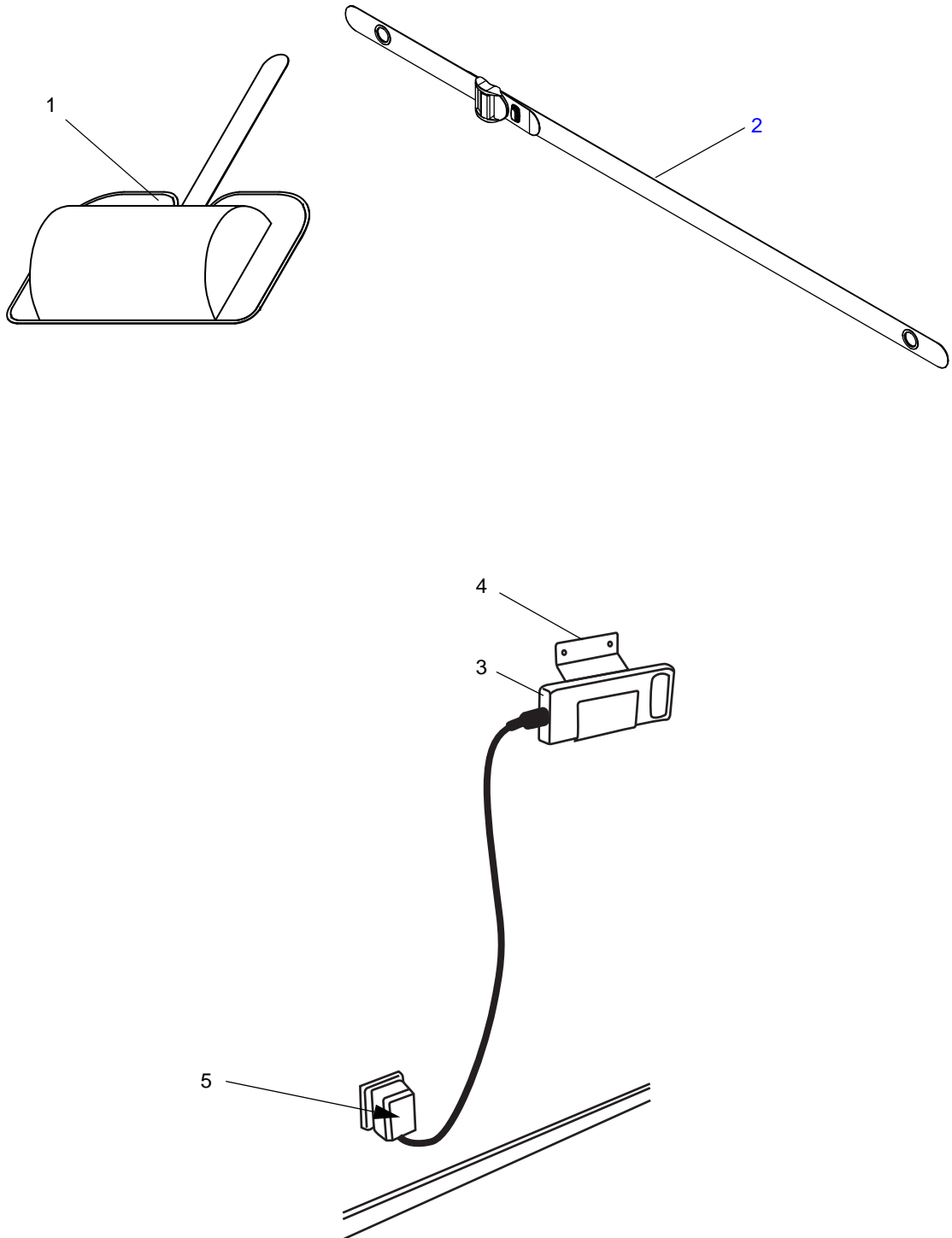
Pos	Description	See page
A	General	6
B	Seat and Care raiser	8
C	Back rest	10
D	Chassis and raiser	14
E	Accessories	16

Overview



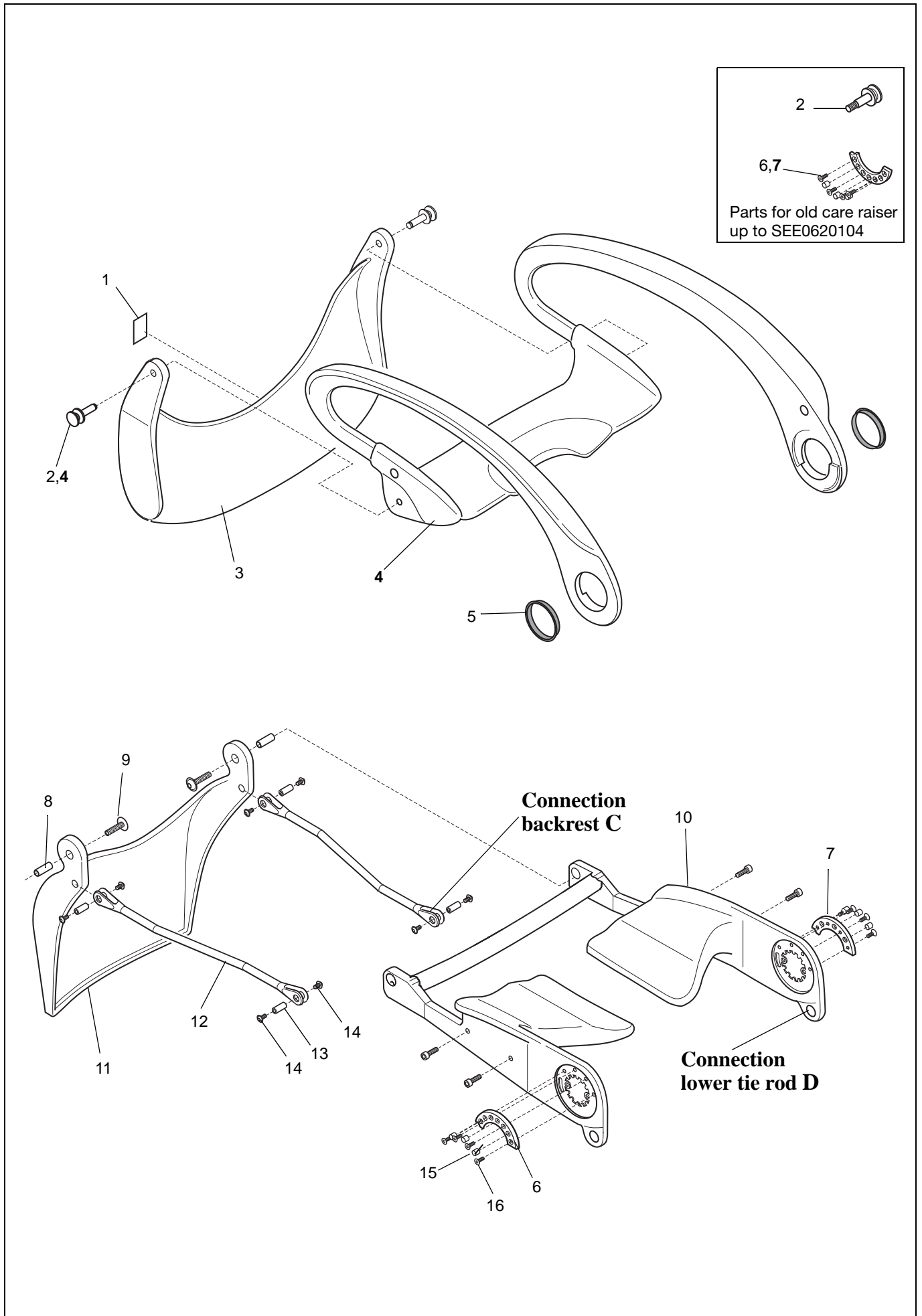
A <i>General</i>						
Pos	Art. No.	Qty	Description	From ser. No.	Up to ser. No.	Remarks
1	8350897-031	1	Neck pillow			
2	S8661611-03	1	Security strap			In production 1206000984. 8121441-03 will be replaced autumn 2012.
3	NEA0100-083	1	Battery			New lilac version, higher capacity
4	8350891-031	1	Battery holder			
5	NEA1000-EU NEA2000-GB NEA4000-US NEA6000-AU NEA7000-JP	1	Battery charger			

A



<i>B</i> <i>Seat and Care raiser</i>						
Pos	Art. No.	Qty	Description	From ser. No.	Up to ser. No.	Remarks
1	8418237	1	Arjo label			
2	8450347 8457966-013	2	Knob	SEE0620105	SEE0620104	Old care raiser New care raiser
3	8250884-01	1	Leg support			
4	S8557970-014	1	Care raiser, complete			New version (divided in three parts)
5	8452741	2	Plain bearing			
6	8351074	1	Segment A			Up to SEE06020104 Qty=2
7	8351075	1	Segment B			Up to SEE06020104 Qty=2
8	8450886	2	Socket			New version 1101000963
9	6190437	2	Screw			
10	8250494-01	1	Seat			New version 1011000436
11	8250880-01	1	Raiser			
12	8353183	2	Upper tie rod			
13	8451751	4	Pin			
14	6190425	8	Screw MKFLT 5x10 A2			5x10 replaces 5x8 (October 2007)
15	8450877	12	Spacer			
16	6150616	16	Screw MF6S 6x16 A4 DIN 7991			

B

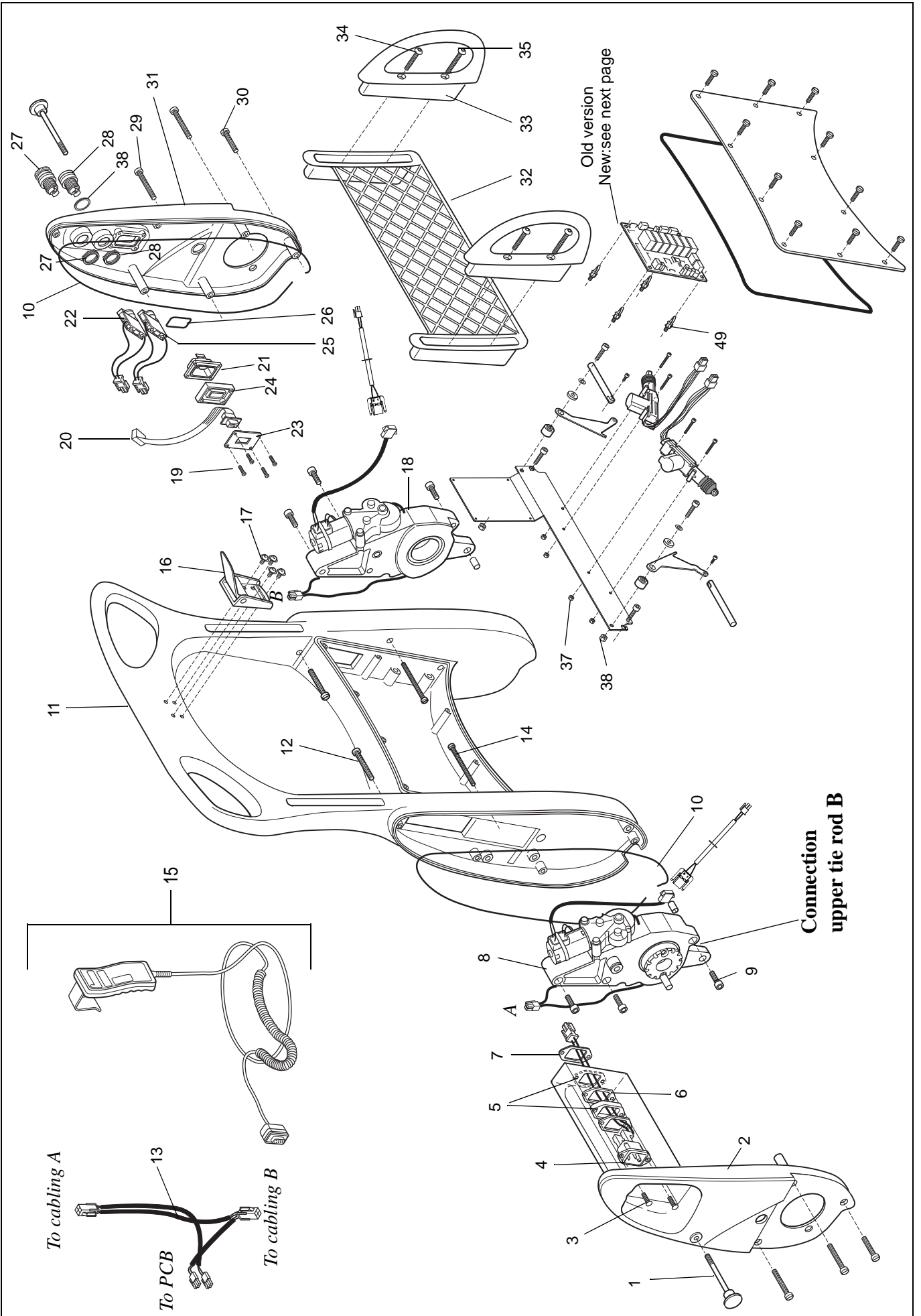


C

Back rest

Pos	Art. No.	Qty	Description	From ser. No.	Up to ser. No.	Remarks
1	8350847-01	2	Knob			
2	8250848-01	1	Cover, left			
3	6190245	2	Screw MFX-Z M3x16 A4 ISO 7046			
4	8451068	1	Battery cabling			
5	8451301	2	Seal			
6	8451361	1	Spacer			
7	8451284	1	Bracket			
8	S8553052	1	Worm gear unit, left			Up to SEE0533465 cabling pos 13 needed.
9	6130820	6	Screw MC6S 8x20 A4			
10	6315009	2	Rubber tube, silicone			
11	8250852-01	1	Back rest			
12	6190467	2	Screw MRX-Z M6x45 A4			
13	8362274	1	Microswitch cabling, worm gear units			New version 1201000630
14	S6190465	2	Screw MRX-H M5x70 A2			
15	6307130	1	Hand control			
16	8350874	1	Buckle			
17	6190425	4	Screw MKFLT 5x10 A2			5x10 replaces 5x8 (October 2007)
18	S8553051	1	Worm gear unit, right			Up to SEE0533465 cabling pos 13 needed.
19	6190430	4	Screw MRX-Z A4 M3x16			
20	8451070	1	Hand set, cabling			
21	6371042	1	Contact housing			
22	8460720	1	Emergency shutdown, cabling			New version 0810000021 On old versions also button pos.27 must be replaced with the new part 6319516
23	8451283	1	Bracket			
24	6303127	1	Spacer KKK 11400.0			
25	8460735	1	Emergency lowering, cabling			New version 081000002. On old versions also button pos.28 must be replaced with new parts 6319517, 8460736
26	6262444	1	O-ring			
27	6319516	1	Push button red			New version 0810000021 On old versions the Cabling pos.22 must be replaced with the new version 8460720
28	6319517	1	Push button green			New version 0810000021. On old versions also cabling pos.25 must be replaced with new parts 8460735, 8460736
29	6190464	4	Screw MRX-Z M5x60 A4			
30	6190466	2	Screw MRX-Z M6x35 A4			
31	8250846-01	1	Cover, right			
32	8250870-01	1	Net			
33	8250869-01	2	Handle			
34	6190423	2	Screw K6S 6x45 A2 ISO 7380			
35	6190424	2	Screw K6S 6x55 A2 ISO 7380			

C

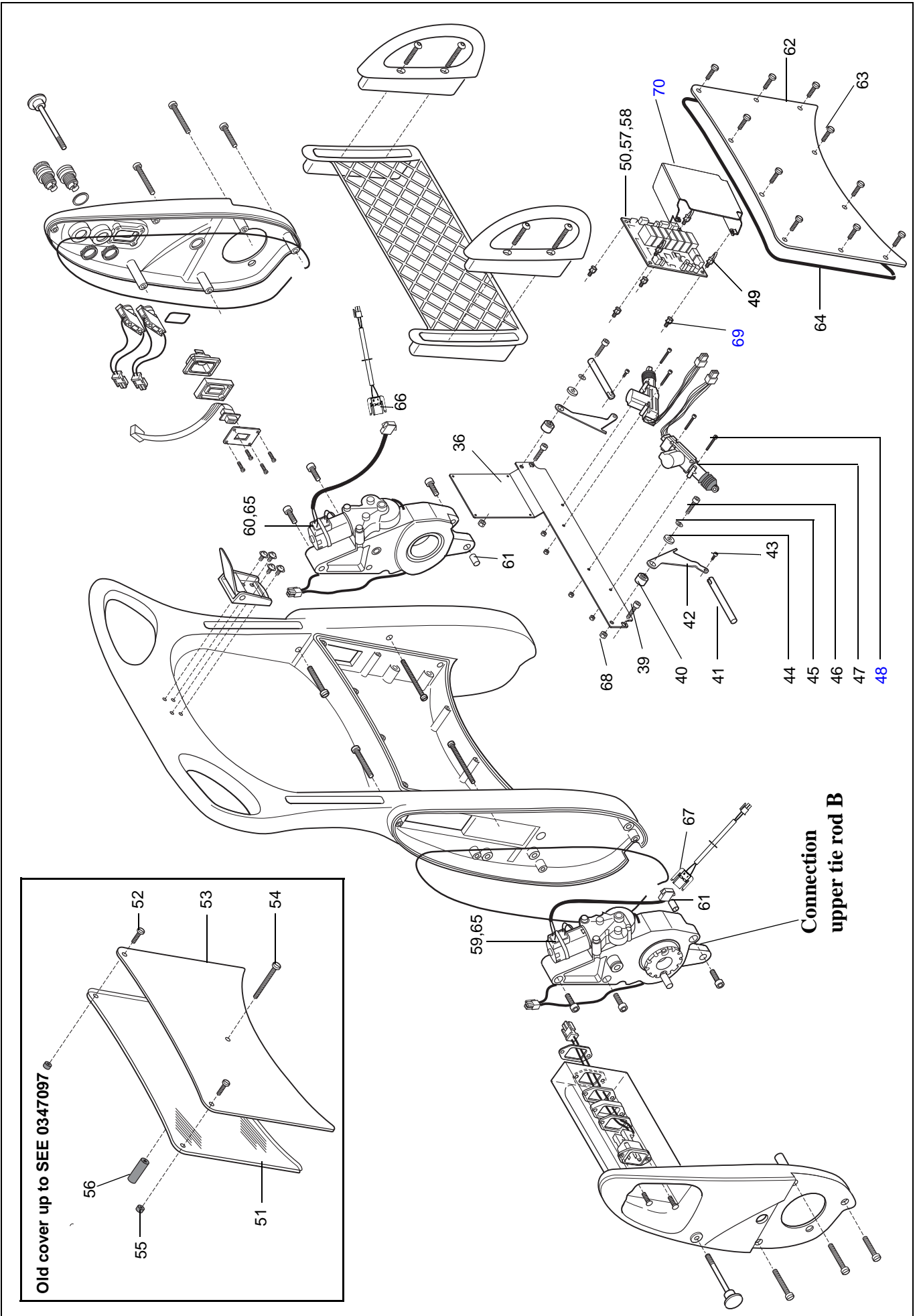


C

Back rest

Pos	Art. No.	Qty	Description	From ser. No.	Up to ser. No.	Remarks
36	8250535	1	Mounting plate			New version SEE0347098
37	6210041	4	Locking nut M4 A4 DIN 985			
38	8460736	1	Spacer	0810000021		
39	6130610	2	Screw MC6S 6x10 A4 DIN 912			2 screws for new version 8250535
40	8450394	2	Bearing for arm			
41	8450395	2	Carrier shaft			
42	8450534	2	Arm			
43	6130412	2	Screw MC6S 4x12 A4 DIN 912			
44	8451056	2	Bearing washer			
45	6200003	2	Washer BRB 6.4x12 A4 DIN 125			
46	6130630	2	Screw MC6S 6x30 A4 DIN 912			
47	8351429	2	Locking device 12 V			
48	6130440	4	Screw MC6S 4x40 A4 DIN 912			
49	6319309	3	Spacer snap-in			4 pcs up to 1205001019 see previous side
50	6370462	1	PCB incl fuses			
51	8351586	1	Membrane sealing		SEE0347097	
52	6190399	2	Screw MRX-Z A4 M5x16		SEE0347097	
53	8250872-01	1	Cover, service		SEE0347097	
54	6190468	1	Screw MRX-Z M6x60 A4		SEE0347097	
55	8451849	2	Spacer		SEE0347097	
56	8451848	1	Spacer		SEE0347097	
57	6379014	2	Fuse T8AL 5x20mm			
58	6379095	1	Fuse T6,3AL 5x20mm			
59	8351428	1	Motor left, worm gear unit		SEE0526055	
60	8351291	1	Motor right, worm gear unit		SEE0526055	
61	6306111	2	Bushing			
62	8256526-01	1	Cover	SEE0347098		
63	6190483	10	Screw MRT 5x16 A4	SEE0347098		
64	S6270359	1	Seal	SEE0347098		
65	6312163	2	Motor worm gear unit	SEE0526056		Will also fit old Carendo incl. pos 66 or 67
66	8357480	1	Cabling, right	SEE0526056		
67	8357481	1	Cabling, left	SEE0526056		
68	6210043	2	Locking nut M6 A4 DIN 985			
69	6303149	4	Spacer	1205001019		
70	8663390	1	Protection plate	1205001019		

C



D

Chassis and raiser

Pos	Art. No.	Qty	Description	From ser. No.	Up to ser. No.	Remarks
1	8546732	4	Castor kit			
2	8256820-036	1	Actuator cover	SEE0448434		From 1002000465 w. drainage holes
3	6190269	4	Screw K&S 5x10 A2 ISO 7380	SEE0448434		
4	6316285	2	Plug	SEE0448434		
5	8356689	1	Bellow bracket	SEE0432093		
6	6200019	2	Washer	SEE0528149		
7	8546910	1	Cabling actuator with microswitches			Connectors removed
8	6306110	2	Plain bearing			
9	6306113	2	Flanged bearing			
10	8452453	2	Spacing sleeve			
11	6131035 6131040	2	Screw MC6S M10x35 A4 DIN 912 Screw MC6S 10x40 A4 DIN 912	SEE0528149	SEE0528148	
12	8546903-031 8546920-031	2	Lift arm lower bearing kit Lift arm lower bearing kit, new chassis	SEE0448434		Chassis 8250850-03 Chassis 8256813-031, 8257441-031
13	8546904-031	2	Lift arm upper bearing kit			
14	8546946	1	Actuator kit, incl. pos 33,37,38,44			For old and new yoke, also incl. connection block and new connectors
15	S8250840-032	1	Cover, left			
16	8450601	2	Carendo-label			
17	6130810	2	Screw MC6S M8x10 A4 DIN 912			
18	6130822	4	Screw MC6S M8x22 A4 DIN 912			
19	6130816	2	Screw MC6S M8x16 A4 DIN 912			
20	8356821-035	2	Angle bracket	SEE0448434		
21	8457365	2	Spacer	SEE0448434		
22	8250419-031	1	Liftarm, left			
23	6150616	6	Screw MF6S 6x16 A4 DIN 7991			
24	6306104	2	Radial direction bearing			
25	6190420	4	Screw RTS 2.9x13 A2			For chassis 8250850-03 only
26	8452618	1	Bracket for bellows, lower			For chassis 8250850-03 only
27	8257441-031	1	Chassis	SEE0528149		Replaces 8256813-031
28	6190425	8	Screw MKFLT 5x10 A2			5x10 replaces 5x8 (October 2007)
29	8353182	2	Lower tie rod			
30	8451751	4	Pin			
31	8250418-031	1	Lift arm, right			
32	S8250839-032	1	Cover, right			
33	6301156	1	Strap			
34	8546748	1	Bellows incl.clamp and strap			New version1206000025
35	6130625	3	Screw MC6S 6x25 A4 DIN 912			For old yoke 8250851-031 only
36	8350838-031	1	Bracket for bellows, upper			For old yoke 8250851-031 only
37	8452080	2	Sealing			For old yoke 8250851-031 only
38	8353144	1	Washer			For old yoke 8250851-031 only
39	8254844-031	1	Lifting yoke			
40	6130610	3	Screw MC6S 6x10 A4 DIN 912	SEE0432093		
41	8546947	1	Chassis cabling with connection block			8546910
42	8250833-03	1	Cover, bottom			For chassis 8250850-03 only
43	6130612	4	Screw MC6S 6x12 A4			For chassis 8250850-03 only
44	6319507	1	Clamp			SEE 0803053

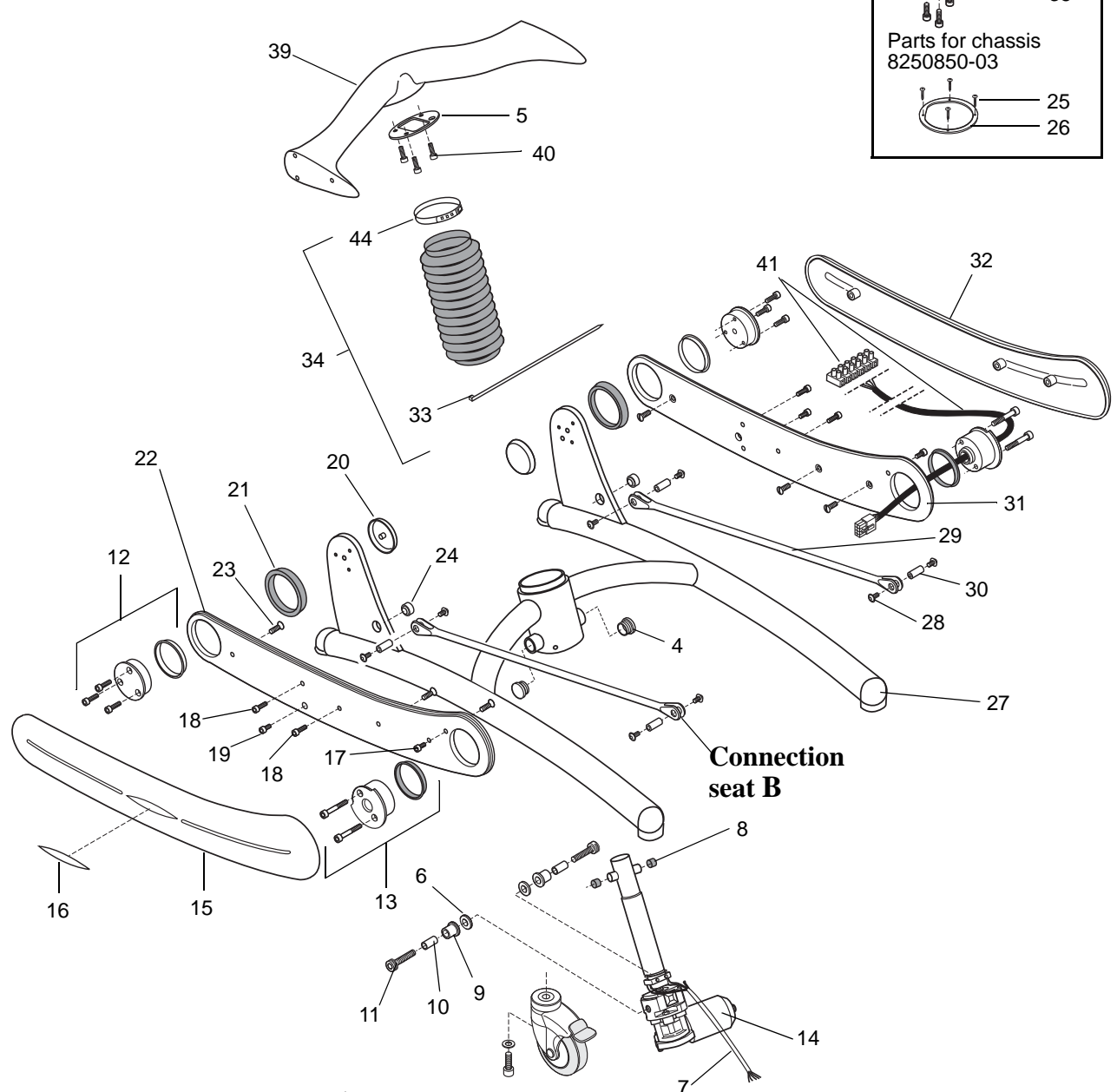
D

Parts for old yoke

- 37
- 38
- 37
- 36
- 35

Parts for chassis 8250850-03

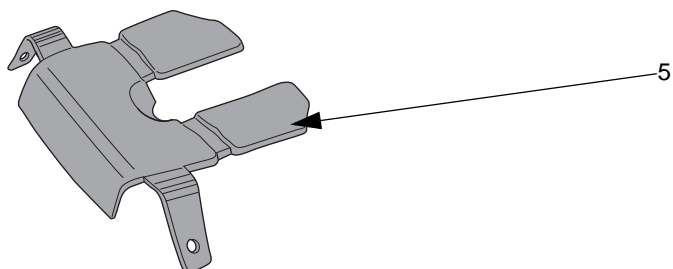
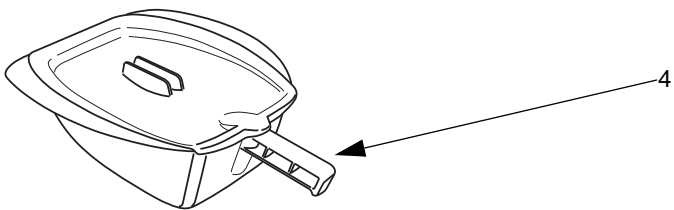
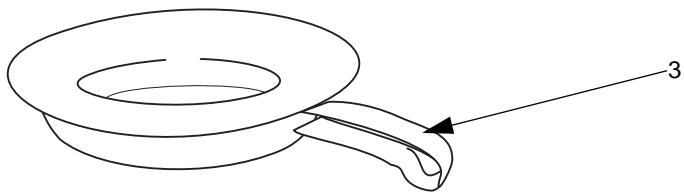
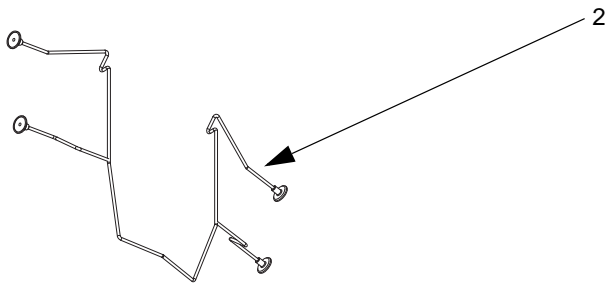
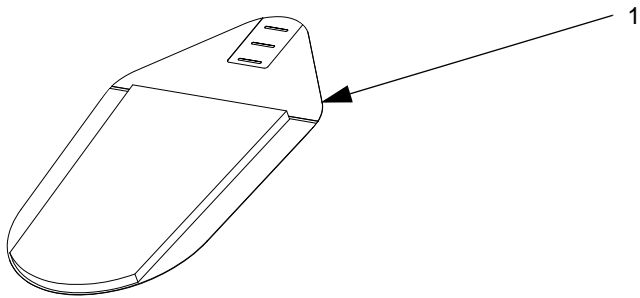
- 25
- 26



Parts for chassis 8250850-03

- 42
- 43

<i>E</i> <i>Accessories</i>						
Pos	Art. No.	Qty	Description	From ser. No.	Up to ser. No.	Remarks
1	NEA 0001-031	1	Back pillow			
2	NEA 1101-90	1	Bedpan holder			
3	CDA 1200-04	1	Bedpan, old			For NEA 1100-90
4	CDA1500-07	1	Bedpan			
5	NEA 0004	1	Seat pillow			



Carendo

Preventive Maintenance Parts/Recommended Spares

Preventive Maintenance Parts	Part number	Number of Carendo		Page
		1	5	
Castor Kit	8546732	4	20	D:1

Recommended Spares	Part number	Number of Carendo		Page
		1	5	
Actuator cover	8256820-036	1	1	D:2
Actuator kit	8546946	1	1	D:14
Battery	NEA0100-02	1	2	A:3
Bellows	8546748	1	1	D:34
Cable, microswitch	8362274	1	1	C:13
Cabling left	8357481	1	1	C:67
Cabling right	8357480	1	1	C:66
Fuse T6,3AL 5x20mm	6379095	1	2	C:58
Fuse T8AL 5x20mm	6379014	2	4	C:57
Hand control	6307130	1	2	C:15
Locking device	8351429	1	2	C:47
Motor worm gear unit (will also fit old Carendo with cabling 8357481 (left) or 8357480 (right))	6312163	1	1	C:65
PCB	6370462	1	1	C:50
Security strap (to be replaced by S8661611-03)	8121441-03	1	2	A:2
Worm gear unit, left	S8553052	1	1	C:8
Worm gear unit, right	S8553051	1	1	C:18

Carendo

Service Articles and Special Tools

Service Articles	Type	Quantity	Part number
OXS 403	Lubrication	400ml cartridge	6907906
Loctite 243	Locking	10ml	6950607
Loctite 2701	Locking	5ml	6950609
Touch-up paint	Grey	20ml	6951007-031
Vaseline	Anti-corrosion	400ml spray	6319544

Special Tools	Part number
Battery Condition Tester	8662950
Spare Part bulb for 8662950	S6311425
Magnetics plastic tool	6907384
PCB detacher	8453102

AUSTRALIA

ArjoHuntleigh Pty Ltd
78, Forsyth street
O'Connor
AU 6163 Western Australia
Tel: +61 89337 4111
Free: +1 800 072 040
Fax: + 61 89337 9077

BELGIQUE / BELGIË

ArjoHuntleigh NV/SA
Evenbroekveld 16
B 9420 ERPE MERE
Tél/Tel: +32 (0) 53 60 73 80
Fax: +32 (0) 53 60 73 81
E mail: info@arjohuntleigh.be

CANADA

ArjoHuntleigh Canada Inc.
1575 South Gateway Road
Unit "C"
MISSISSAUGA, ON, L4W 5J1
Tel/Tél: +1 905 238 7880
Free: +1 800 665 4831 Institutional
Free: +1 800 868 0441 Home Care
Fax: +1 905 238 7881
E mail: info.canada@arjohuntleigh.com

ČESKÁ REPUBLIKA

ArjoHuntleigh s.r.o.
Hlinky 118
CZ 603 00 BRNO
Tel: +420 549 254 252
Fax: +420 541 213 550

DANMARK

ArjoHuntleigh A/S
Vassingerødvej 52
DK 3540 LYNGE
Tel: +45 49 13 84 86
Fax: +45 49 13 84 87
E mail: info.dk@arjohuntleigh.com

DEUTSCHLAND

ArjoHuntleigh GmbH
Peter Sander Strasse 10
D 55252 MAINZ KASTEL
Tel: +49 (0) 6134 186 0
Fax: +49 (0) 6134 186 160
E mail: info de@arjohuntleigh.com

ΕΛΛΑΔΑ

C. Psimitis Co Ltd
Dimitriou Andr. 59
GR 16121 KAISARIANI ATTIKIS
Τηλ: 21 0724 36 68
Φάξ: 21 0721 55 53

ESPAÑA

ArjoHuntleigh Ibérica S.L.
Ctra. de Rubí, 88 1ª planta A1
08173 Sant Cugat del Vallés
ES BARCELONA 08173
Tel: +34 93 583 11 20
Fax: +34 93 583 11 22
E mail: info.es@arjohuntleigh.com

FAR EAST

ARJO Far East Limited
Unit 3A, 4/F., block B Hoi Luen
Industrial Centre
55 Hoi Yuen Road,
Kwun Tong, Kowloon
HONG KONG
Tel: +852 2508 9553
Fax: +852 2508 1416

FRANCE

ArjoHuntleigh SAS
2 Avenue Alcide de Gasperi
BP 133
59436 RONCQ CEDEX
Tél: +33 (0) 3 20 28 13 13
Fax: +33 (0) 3 20 28 13 14
E mail : info.france@arjohuntleigh.com

INTERNATIONAL

ArjoHuntleigh International Ltd.
ArjoHuntleigh House
Houghton Hall Park
Houghton Regis
UK DUNSTABLE LU5 5XF
Tel: +44 (0) 1582 745 800
Fax: +44 (0) 1582 745 866
E mail:
international@ArjoHuntleigh.com

ITALIA

ArjoHuntleigh S.p.A.
Via di Tor Vergata 432
00133 ROMA ITALIA
Tel: +39 (0) 6 87426211
Fax: +39 (0) 6 87426222
E mail: Italy.promo@arjohuntleigh.com

NEDERLAND

ArjoHuntleigh Nederland BV
Biezenwei 21
4004 MB TIEL
Postbus 6116
4000 HC TIEL
Tel: +31 (0) 344 64 08 00
Fax: +31 (0) 344 64 08 85
E mail: info.nl@arjohuntleigh.com

NEW ZEALAND

ArjoHuntleigh Ltd
41 Vestey Drive
Mount Wellington
AUCKLAND 1060
Tel: +64 (0) 9 573 5344
Free Call: 0800 000 151
Fax: +64 (0) 9 573 5384
E mail: nz.info@ArjoHuntleigh.com

NORGE

ArjoHuntleigh Norway AS
Ryenstubben 2
NO 0679 OSLO
Tel: +47 22 08 00 50
Faks: +47 22 08 00 51
E mail: no.kundeservice@arjohuntleigh.com

POLSKA

ArjoHuntleigh Polska Sp. z o.o.
ul. Ks Piotra Wawrzyniaka 2
PL 62 052 KOMORNIKI (Poznan)
Tel: +48 61 662 15 50
Fax: +48 61 662 15 90
E mail: arjo@arjohuntleigh.com

PORTUGAL

ArjoHuntleigh em Portugal:
MAQUET Portugal, Lda. (Distribuidor Exclusivo)
Rua Poeta Bocage n.º 2 2G
1600 233 Lisboa, Portugal
Tel: +351 214 189 815
Fax: +351 214 177 413
E mail: Portugal@arjohuntleigh.com

SUISSE / SCHWEIZ

ArjoHuntleigh AG
Fabrikstrasse 8
Postfach
4614 Hägendorf,
Tél/Tel: +41 (0) 61 337 97 77
Fax: +41 (0) 61 311 97 42

SUOMI

ArjoHuntleigh OY
Vanha Porvoontie 229
FI 01380 VANTAA
Puh: +358 9 4730 4320
Faksi: +358 9 4730 4999

SVERIGE

ARJO Scandinavia AB
Verkstadsvägen 5
Box 61
SE 241 21 ESLÖV
Tel: +46 (0) 413 645 00
Fax: +46 (0) 413 645 83
E mail: kundservice@arjohuntleigh.com

UNITED KINGDOM

ArjoHuntleigh UK
ArjoHuntleigh House
Houghton Hall Park
Houghton Regis
UK DUNSTABLE LU5 5XF
Tel: +44 (0) 1582 745 700
Fax: +44 (0) 1582 745 745
E mail:
sales.admin@ArjoHuntleigh.com

USA

ArjoHuntleigh Inc.
2349 W Lake Street Suite 250
Addison, IL 60101
Tel: +1 630 307 2756
Free: +1 800 323 1245 Institutional
Free: +1 800 868 0441 Home Care
Fax: +1 630 307 6195
E mail: us.info@ArjoHuntleigh.com

ÖSTERREICH

ArjoHuntleigh GmbH
Dörrstrasse 85
AT 6020 INNSBRUCK
Tel: +43 (0) 512 204 160 0
Fax: +43 (0) 512 204 160 75

ARJOHUNTLEIGH

GETINGE GROUP

GETINGE GROUP is a leading global provider of products and systems that contribute to quality enhancement and cost efficiency within healthcare and life sciences. We operate under the three brands of **ArjoHuntleigh**, **GETINGE** and **MAQUET**. **ArjoHuntleigh** focuses on patient mobility and wound management solutions. **GETINGE** provides solutions for infection control within healthcare and contamination prevention within life sciences. **MAQUET** specializes in solutions, therapies and products for surgical interventions and intensive care.

www.ArjoHuntleigh.com

 **ArjoHuntleigh AB**
Verkstadsvägen 5
241 38 Eslöv
SWEDEN