

PARTS MANUAL

Gizmo Tilt



Adult & Pediatric



FREEDOM DESIGNS, INC.

CE

2241 N. Madera Rd. Simi Valley, CA 93065 • (800) 331-8551 • FAX (888) 582-1509
www.freedomdesigns.com

01282010

Terms & Conditions

Dealer Accounts & Terms

A Freedom Designs, Inc. dealer application must be completed and approved before an account can be established. Freedom Designs standard terms for open accounts are net 30 days, unless other terms are agreed upon. Completed orders will not be shipped and new orders will not be processed on accounts with outstanding balances over 60 days.

Ordering

Orders may be placed over the telephone, by fax, mailed or e-mailed into the Customer Service Department. Measurement forms are provided in the catalog to assist in ordering. Phone orders must be followed up with a hard copy confirming P.O. For any questions, please call Customer Service.

Published Prices

Prices are subject to change without prior notice.

Price Quotes

If requested, Customer Service will provide a written quote for products. Written quotes will be valid for 60 days.

Shipping

All Freedom Designs, Inc. products are shipped ground, FOB Simi Valley. Freight charges on factory installs may apply on wheelchairs not manufactured by Freedom Designs, Inc. For requests of special handling or exceptional freight, up-charges will be billed.

Returns

All returns must have a Return Authorization Number on the box and must be shipped freight pre-paid. Product received without a valid R.A. # will be refused. The R.A. # must be obtained from the Customer Service Department. All returns MUST be received in the factory within 45 days of issuance of the R.A. #. Returns are subject to examination at the discretion of Freedom Designs, Inc. Returns may be subject to a 25% restocking fee. Custom fabricated products may not be returned.

Cancellations

Prior to canceling an order, a valid cancellation number must be obtained from Freedom Designs Customer Service Department. Restocking charges will occur on orders in progress and will be assessed based on the stage of completion. Custom fabricated products will be charged at 100%.

Errors & Omissions

All Freedom Designs products are quality controlled prior to shipping. However, should there be a problem, it must be reported to Customer Service within three weeks of receipt of order for resolution.

Liability

Freedom Designs, Inc. is not responsible for any product used incorrectly or with the wrong application. We recommend that positioning products be used in conjunction with a team of professionals that have been involved with the evaluation of the client. Freedom Designs, Inc. is responsible for any product that is defective in manufacturing or that was made in error by Freedom Designs, Inc.

Hours of Business

*Customer Service: Monday through Friday
6:00 a.m. to 5:00 p.m. PST*

Message Center: Available when factory is closed

*FAX Line: Available 24 hours a day,
7 days a week*

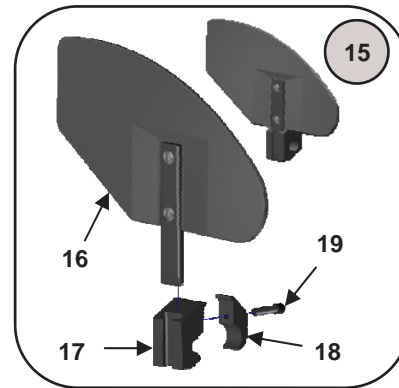
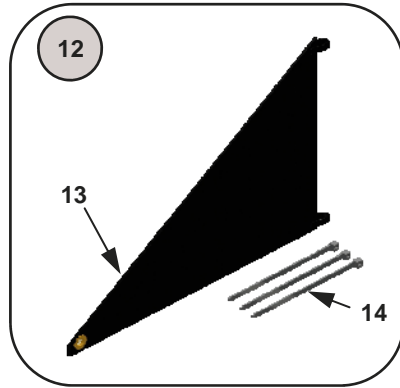
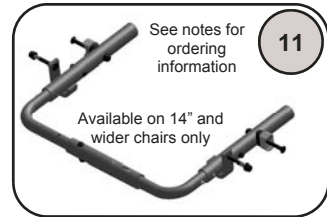
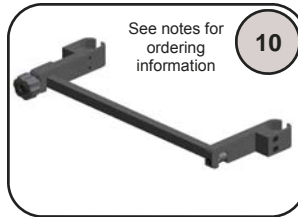
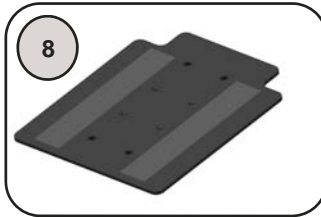
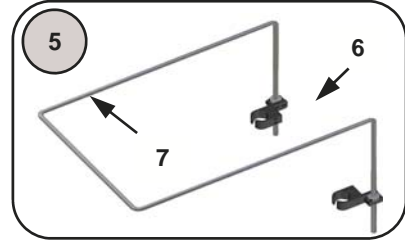
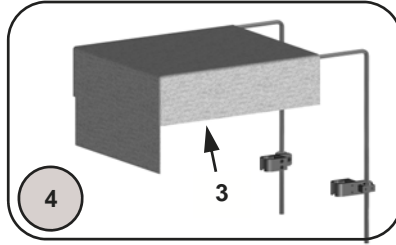
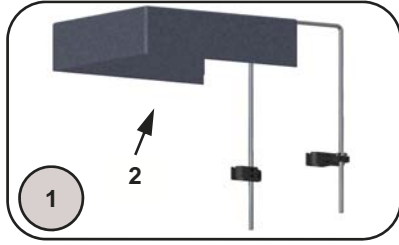
TABLE OF CONTENTS

<u>Components</u>	<u>Page</u>
Accessories	3
Anti-tippers	4-5
Anti-tippers—Swing Sway	4
Anti-tippers—Fixed	5
Armrests	6-8
Adjustable Height, Standard	6
Adjustable Height, Pediatric	7
Flip Back & Locking	8
Axles	9
Back Canes	10
Caster Forks	11
Caster Parts	12
Caster Wheels	13
Cross Braces	14-17
Serial #GZ-15000 & up	14
Folding & Rigid Growth Kit	15
Ser. #GZ-12400—GZ-14999	16
Up to ser. # GZ-12399	17
Footrest, Footplates	18-21
Composite Flip-up	18
Flip-up	19
90° Flip-up (<i>discontinued</i>)	20
75° Flip-up (<i>discontinued</i>)	21
Footrest, Footboards	22
Frames	23-25
Serial #GZ-15000 & up	23
Frame Growth Kits	24
Serial #GZ-12400—GZ-14999	25
Up to Serial # GZ-12399	26
Hangers—Complete Hanger Retro & Components.	27
Front Rigging	28-35
Latch Style Hangers	28
Pop-Up Hangers	29
Latch Style Hangers (<i>discontinued</i>)	30
Pop-Up Hangers (<i>discontinued</i>)	31
Elevating Legrest Pop-up	32
Elevating Legrest Pop-up (<i>discontinued</i>)	33
Tilt Mechanisms	34-35
From Serial #GZ-15000	34
Up to Serial #GZ-14999 (<i>discontinued</i>)	35
Reverse Configuration (rear wheel to front wheel drive).....	36
Standard Configuration (front wheel to rear wheel drive)	37

TABLE OF CONTENTS

<u>Components</u>		<u>Page</u>
Wheel Locks	38-40
Standard Wheel Locks	38
Hub Locks -Thru Serial #GZ-12528	39
From Serial #GZ-12529	40
Wheels	41-44
Wheel Assemblies	41
Wheel Assemblies for Hub Locks	42
Wheel Options	43
Limited Warranty	44

ACCESSORIES

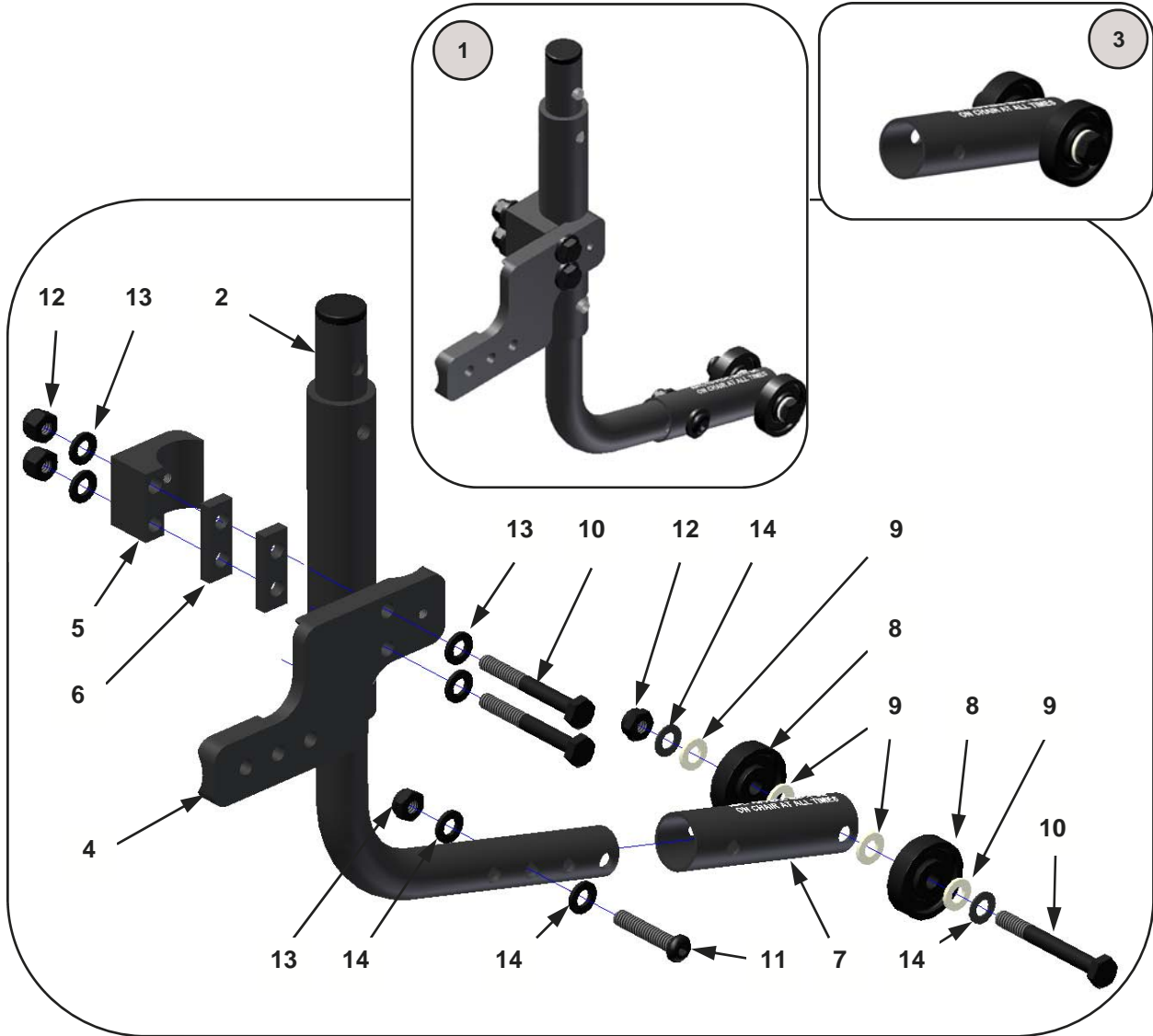


Notes:

To order Leverage Bar Kit or Flip Down Rigid Bar Kit add chair width to end of part number (e.g. 10915-14 for 14" wide)

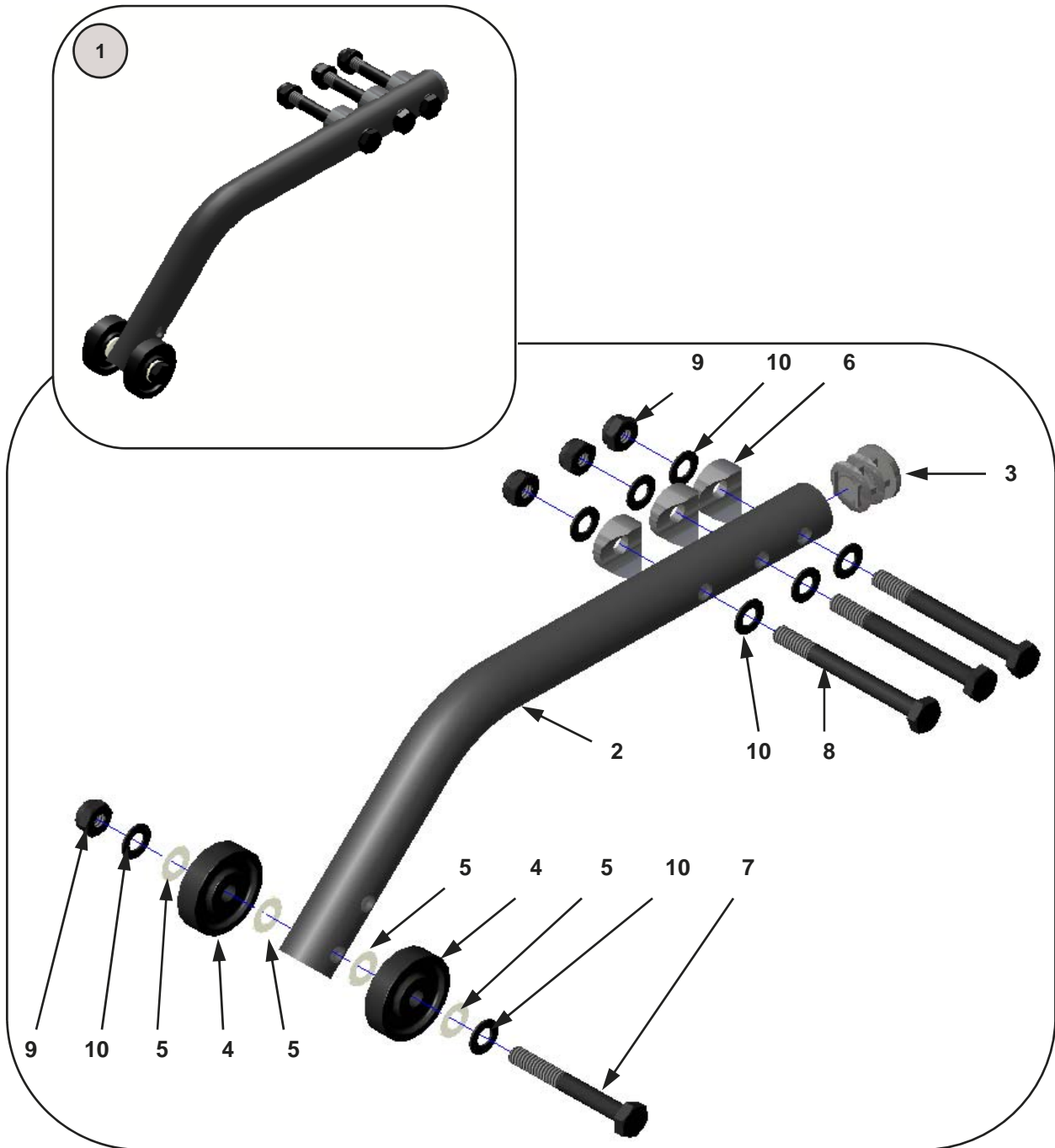
No.	PART #	DESCRIPTION	QTY	No.	PART #	DESCRIPTION	QTY
1	10712	Canopy Fabric/Frame & Clamps	1 ea.	13	7001	Fabric Clothing Guard Panel	1 ea.
2	10710	Canopy Fabric	1 ea.	14	7002	Zip Ties	1 ea.
3	10713	Canopy Fabric/Visor	1 ea.	15	7006	Clamp On Clothing Guard Assemblies	1 pr.
4	10714	Canopy Fabric/Visor, Frame & Clamps	1 ea.		7006-R	Clamp On Clothing Guard Assy—Right	1 ea.
5	10715	Canopy Frame/Clamps	1 ea.		7006-L	Clamp On Clothing Guard Assy—Left	1 ea.
6	10716	Canopy Hardware	1 ea.	16	7003	Removable Clothing Guard Panels	1 pr.
7	10717	Canopy Frame	1 ea..		7003-R	Removable Clothe Guard Panel—Right	1 ea.
8	10910	Seat Pan—Fixed	1 ea.		7003-L	Removable Clothe Guard Panel—Left	1 ea.
	10909	Seat Pan—Quick Release	1 ea.	17	7004	Receiver Clamp	1 ea.
9	10911	Frame Pads	1 pr.	18	7005	Inner Clamp	1 ea.
10	10914	*Flip Down Rigid Bar Kit	1 ea.	19	9061	Screw—1/4-20 x 1" Socket Head	1 ea.
11	10915	*Leverage Bar Kit	1 ea.				
12	7000	Fabric Clothing Guard Assemblies	1 pr.				
	7000-1	Fabric Clothing Guard	1 pr.				

ANTI-TIPS—Swing Away



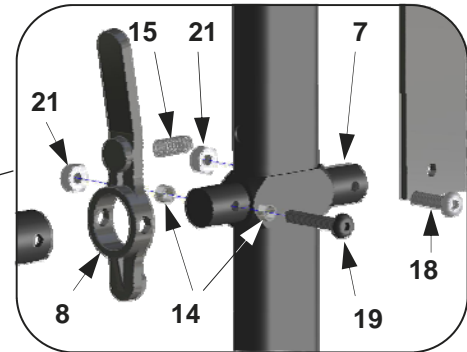
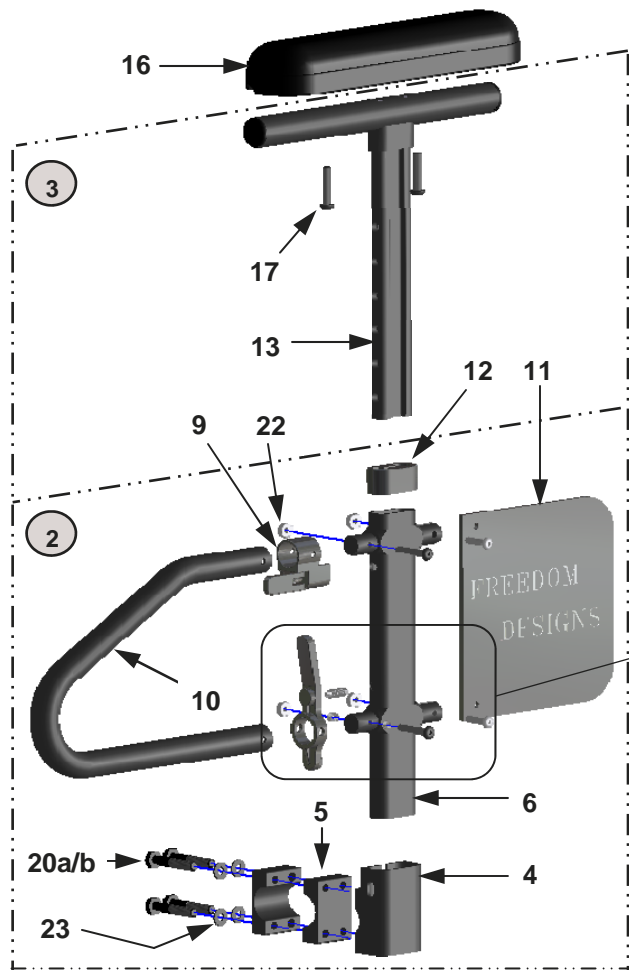
No.	PART #	DESCRIPTION	QTY	No.	PART #	DESCRIPTION	QTY
1	10072-R	Swing Away Anti-tip Assembly—Right	1 ea.		8005	Swing Away Anti-tip / Axle Mount Plates—R & L	1 pr.
	10072-L	Swing Away Anti-tip Assembly—Left	1 ea.	5	8003	Clamp	1 ea.
	10072	Swing Away Anti-tip Assemblies—Rt & Lt	1 pr.	6	8004	Clamp Spacer	1 ea.
2	10073-R	Swing Away Anti-tip Lever Assembly—Rt	1 ea.	7	8007	Anti-tip Roller Tube	1 ea.
	10073-L	Swing Away Anti-tip Lever Assembly—Lt	1 ea.	8	9009A	Roller	1 ea.
	10073	S. A. Anti-tip Lever Assemblies—Rt. & Lt.	1 pr.	9	9010	Washer—1/4" Plastic	1 ea.
3	8001-R	Anti-tip Roller Assembly—Right	1 ea.	10	9023	Screw—1/4 x 2" Hex Head	1 ea.
	8001-L	Anti-tip Roller Assembly—Left	1 ea.	11	9034	Screw—1/4-20 x 1 1/4" Button Head	1 ea.
	8001	Anti-tip Roller Assemblies—Rt. & Lt	1 pr.	12	9072	Locknut—1/4" Nylon	1 ea.
4	8005-R	Swing Away Anti-tip / Axle Mount Plate—Right	1 ea.	13	9073	Locknut—1/4" Thin Nylon	1 ea.
	8005-L	Swing Away Anti-tip / Axle Mount Plate—Left	1 ea.	14	9074	Washer—1/4" Flat	1 ea.

ANTI-TIPS—Fixed



No.	PART #	DESCRIPTION	QTY	No.	PART #	DESCRIPTION	QTY
1	10071-R	Anti-tip Assembly—Fixed, Right	1 ea.	5	9010	Washer—1/4" Plastic	1 ea.
	10071-L	Anti-tip Assembly—Fixed, Right	1 ea.	6	8999	Plastic Saddle—3/4"	1 ea.
	10071	Anti-tip Assemblies—Fixed, (Rt & Lt)	1 pr.	7	9023	Screw—1/4-20 x 2" Hex Head	1 ea.
2	10069-1	Anti-tip Lever Tube	1 ea.	8	9025	Screw—1/4-20 x 2 1/2" Hex Head	1 ea.
	10069-2	Anti-tip Lever Tubes	1 pr.	9	9073	Locknut—1/4-20 Nylon, Thin	1 ea.
3	3099	Tube Plug—3/4"	1 ea.	10	9075	Washer—1/4" Flat, Thin	1 ea.
4	9009A	Roller	1 ea.				

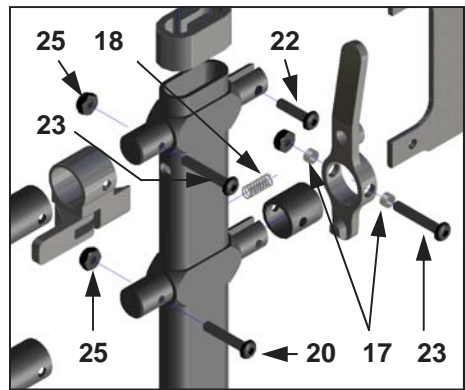
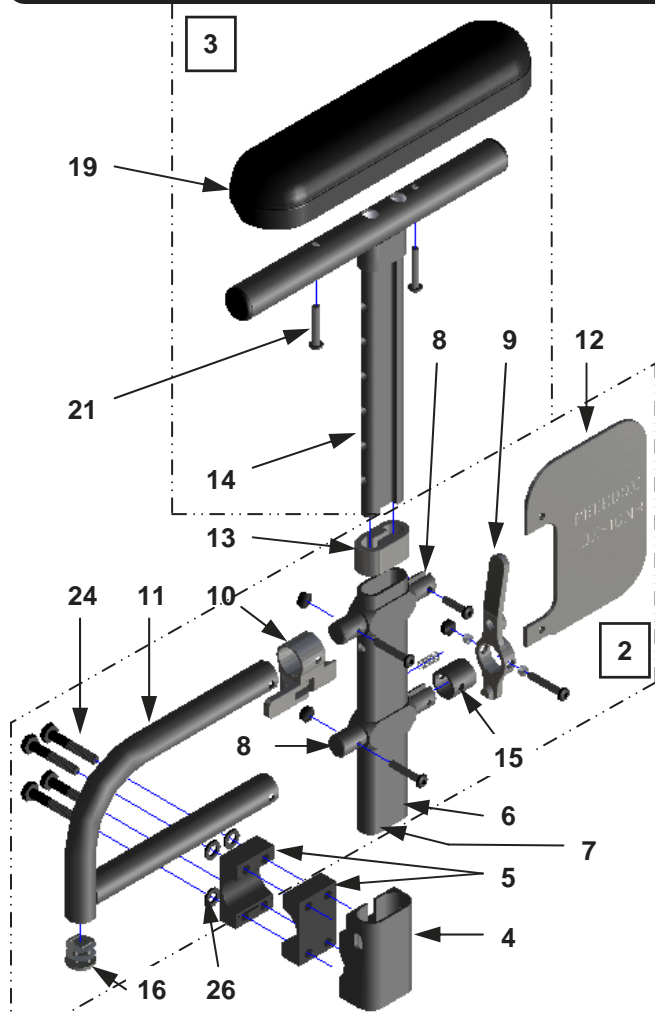
ARMREST—Adjustable Height, Standard



STANDARD SEAT WIDTH REQUIRES (1) INNER CLAMP (ITEM 5) AND USES 1-1/4" LONG MOUNTING SCREW (ITEM 20a)
 EXTENDED SEAT WIDTH REQUIRES (2) INNER CLAMPS AS SHOWN AND USES 1-1/2" LONG MOUNTING SCREWS (ITEM 20b)

No.	PART #	DESCRIPTION	QTY	No.	PART #	DESCRIPTION	QTY
1	10756-R	T-Arm Assembly—Complete, Right	1 ea.	10	10766-STD	Front Tube—Standard	1 ea.
	10756-L	T-Arm Assembly—Complete, Left	1 ea.		10766-SH	Front Tube—Short	1 ea.
	10756	T-Arm Assemblies—Comp., Rt & Lt	1 pr.	11	10767	Panel	1 ea.
2	10757-R	Lower T-Arm Assembly—Right	1 ea.	12	10768	Receiver Tube Cap	1 ea.
	10757-L	Lower T-Arm Assembly—Left	1 ea.	13	10769	Height Adjust Post	1 ea.
	10757	Lower T-Arm Assemblies—Rt & Lt	1 pr.	14	9039	Spacer Bushing	1 ea.
3	10758-R	Upper T-Arm Assembly—Right	1 ea.	15	9040	Spring	1 ea.
	10758-L	Upper T-Arm Assembly—Left	1 ea.	16	10913	Desk Style Arm Pad	1 ea.
	10758	Upper T-Arm Assemblies—Rt & Lt	1 pr.		10916	Full Length Arm Pad	1 ea.
4	10759	Receiver Socket	1 ea.	17	9016	10-32 X 1 1/4" Pan Head Screw	1 ea.
5	10760	Receiver Frame Clamp	1 ea.	18	9057	10-32 X 3/4" Button Head Screw	1 ea.
6	10761	Receiver Tube	1 ea.	19	9070	10-32 X 1 1/4" Button Head Screw	1 ea.
7	10763	Receiver Tube Clamp	1 ea.	20a	9020	1/4-20 X 1 1/4" Hex Head Screw	1 ea.
8	10764	Frame Release Lever	1 ea.	20b	9021	1/4-20 X 1 1/2" Hex Head Screw	1 ea.
9	10765-R	Height Release Assembly—Right	1 ea.	21	9086	10-32 Nylon Lock Nut	1 ea.
	10765-L	Height Release Assembly—Left	1 ea.	22	9074	1/4" Flat Washer	1 ea.

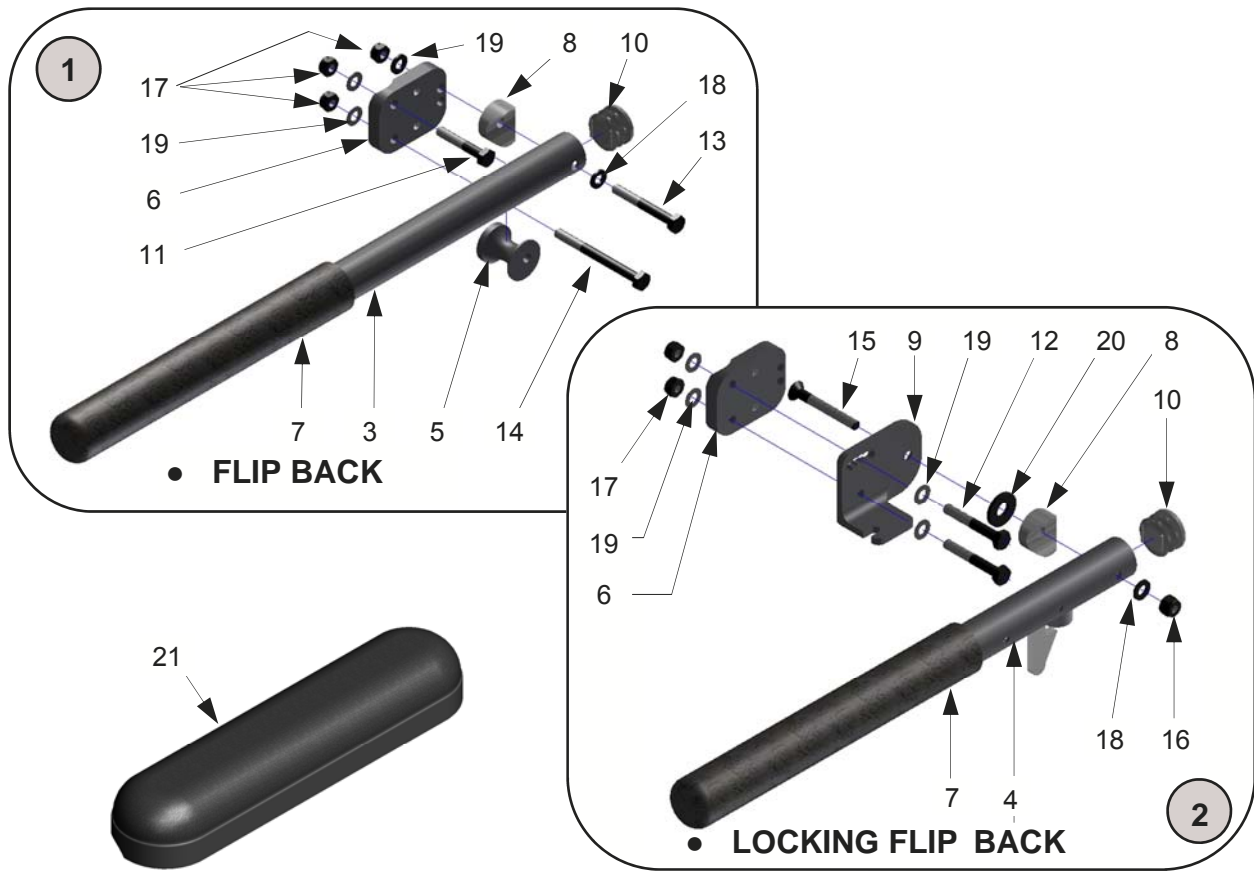
ARMREST—Adjustable Height, Pediatric



STANDARD SEAT WIDTH REQUIRES (1) INNER CLAMP (ITEM 5) AND USES 1-1/4" LONG MOUNTING SCREW (ITEM 21a)
 EXTENDED SEAT WIDTH REQUIRES (2) INNER CLAMPS AS SHOWN AND USES 1-1/2" LONG MOUNTING SCREWS (ITEM 21b)

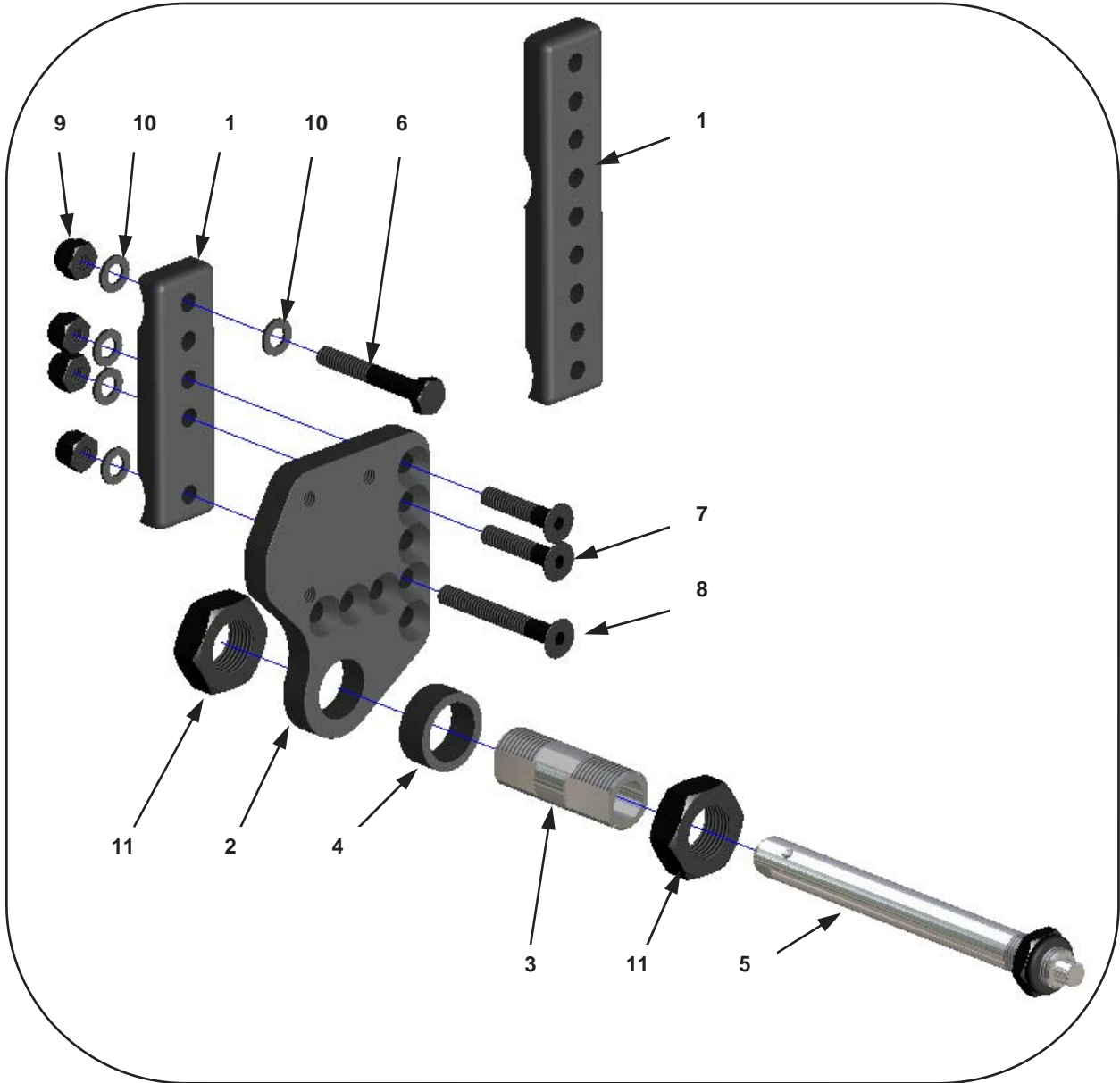
No.	PART #	DESCRIPTION	QTY	No.	PART #	DESCRIPTION	QTY
1	10780-R	T-Arm Assembly, Ped. Complete—Rt.	1 ea.	11	10766-P	Front Tube—Pediatric	1 ea.
	10780-L	T-Arm Assembly, Ped. Complete—Lt.	1 ea.	12	10783	Panel	1 ea.
	10780	T-Arm Assemblies, Ped. Cmpplt.—R & L	1 pr.	13	10768	Receiver Tube Cap	1 ea.
2	10781-R	Lower T-Arm Assembly, Ped.—Rt.	1 ea.	14	10769-P	Height Adjust Post	1 ea.
	10781-L	Lower T-Arm Assembly, Ped.—Lt.	1 ea.	15	10784	Spacer Tube	1 ea.
	10781	Lower T-Arm Assemblies, Ped.—R & L	1 pr.	16	3099	Tube Plug—3/4"	1 ea.
3	10782-R	Upper T-Arm Assembly, Ped.—Right	1 ea.	17	9039	Spacer Bushing	1 ea.
	10782-L	Upper T-Arm Assembly, Ped.—Left	1 ea.	18	9040	Spring	1 ea.
	10782	Upper T-Arm Assemblies, Ped.—R & L	1 pr.	19	10913	Desk Style Arm Pad	1 ea.
4	10759	Receiver Socket	1 ea.	20	9102	Screw—10-32 x 1" Button Head	1 ea.
5	10760	Receiver Frame Clamp	1 ea.	21	9016	Screw—10-32 x 1 1/4" Phillips Pan Head	1 ea.
6	10761-P	Receiver Tube	1 ea.	22	9057	Screw—10-32 x 3/4" Button Head	1 ea.
7	10763	Receiver Tube Clamp	1 ea.	23	9070	Screw—10-32 x 1 1/4" Button Head	1 ea.
8	10764	Frame Release Lever	1 ea.	24a	9020	Screw—1/4-20 x 1 1/4" Hex Head	1 ea.
9	10765-R	Height Release Assembly—Right	1 ea.	24b	9021	Screw—1/4-20 x 1 1/2" Hex Head	1 ea.
	10765-L	Height Release Assembly—Left	1 ea.	25	9086	Locknut—10-32 Nylon	1 ea.
	10765	Height Release Assemblies—Rt. & Lt.	1 pr.	26	9074	Washer—1/4" Flat	1 ea.

ARMRESTS—Flip Back



No.	PART #	DESCRIPTION	QTY	No.	PART #	DESCRIPTION	QTY
1	10721	Flip Back Armrest Assemblies—16"	1 pr.		5022	Foam Pad—9.5"	1 ea.
	10721-R	Flip Back Armrest Assy—Rt.—16"	1 ea.	8	9005	1" Plastic Saddle	1 ea.
	10721-L	Flip Back Armrest Assy—Lt.—16"	1 ea.	9	6004-R	Adjustment Plate—Right	1 ea.
	10721-P	Flip Back Armrest Assemblies—13"	1 pr.		6004-L	Adjustment Plate—Left	1 ea.
	10721-PR	Flip Back Armrest Assy—Rt.—13"	1 ea.		6004	Adjustment Plates—Right & Left	1 pr.
	10721-PL	Flip Back Armrest Assy—Lt.—13"	1 ea.	10	9000	Tube End Plug—1"	1 ea.
2	10751	Locking Armrest Assemblies—16"	1 pr.	11	9021	Screw—1/4 x 1 1/2" Hex Head	1 ea.
	10751-R	Locking Armrest Assy—Rt.—16"	1 ea.	12	9022	Screw—1/4 x 1 3/4" Hex Head	1 ea.
	10751-L	Locking Armrest Assy—Lt.—16"	1 ea.	13	9023	Screw—1/4 x 2" Hex Head	1 ea.
	10751-P	Locking Armrest Assemblies—13"	1 pr.	14	9026	Screw—1/4 x 2 3/4" Hex Head	1 ea.
	10751-PR	Locking Armrest Assy—Rt.—13"	1 ea.	15	9051	Screw—1/4 x 2" Flat Head	1 ea.
	10751-PL	Locking Armrest Assy—Lt.—13"	1 ea.	16	9072	Locknut—1/4" Nylon	1 ea.
3	10722	Flip Back Tube (no hardware) - 16"	1 ea.	17	9073	Locknut—1/4" Thin Nylon	1 ea.
	10722-P	Flip Back Tube (no hardware) - 13"	1 ea.	18	9074	Washer—1/4" Flat	1 ea.
4	10754	Locking Arm Tube Assembly—16"	1 ea.	19	9075	Washer—1/4" Thin Flat	1 ea.
	10754-P	Locking Arm Tube Assembly—13"	1 ea.	20	9089	Washer—5/16" Flat	1 ea.
5	6012	Flip Back Armrest Barrel	1 ea.	21	10913	Desk Length Arm Pad—9.25" Long	1 ea.
6	6014	Mounting Plate	1 ea.		10916	Full Length Arm Pad—13.5" Long	1 ea.
7	5021	Foam Pad—4.5"	1 ea.				

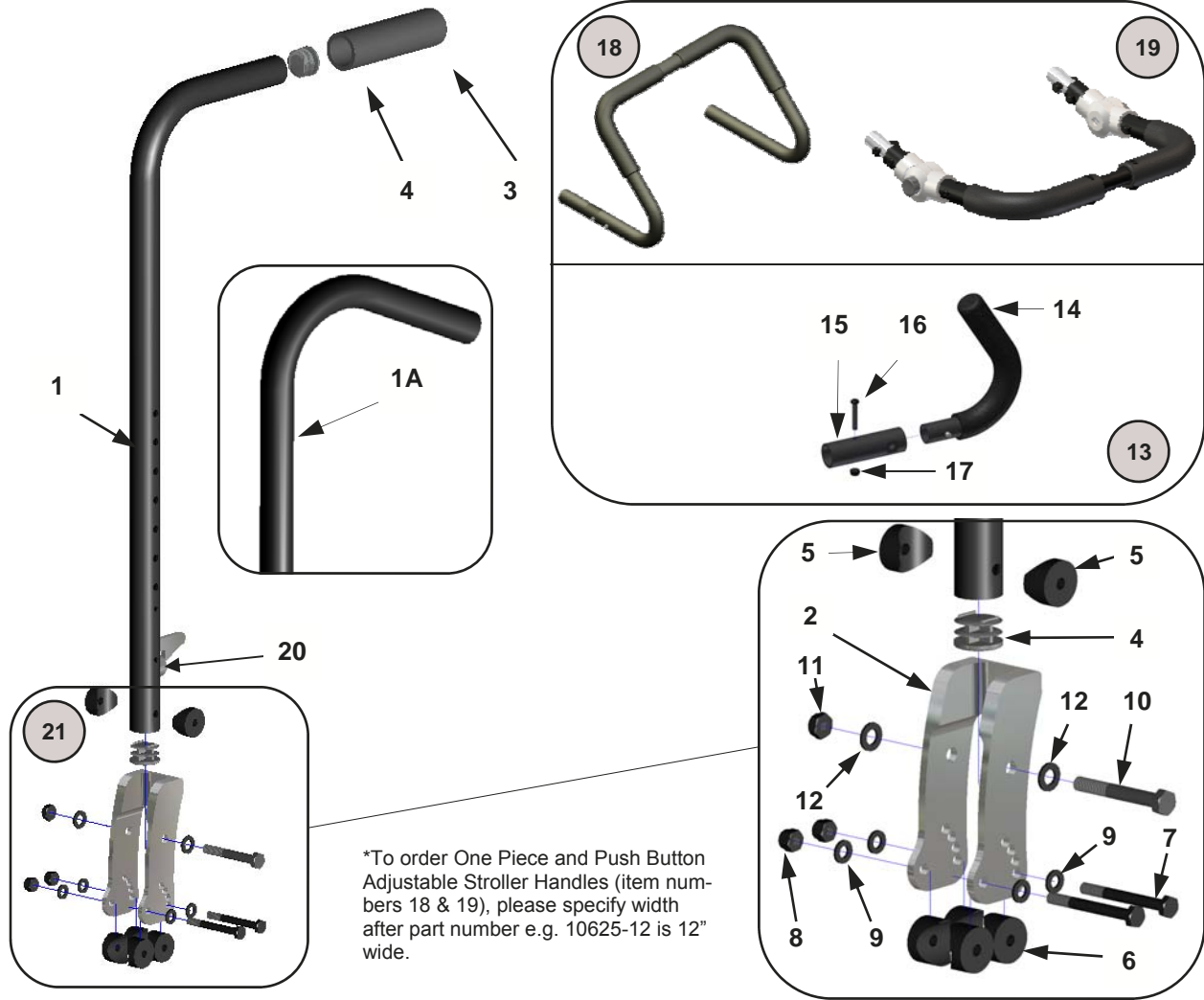
AXLE COMPONENTS



12 - Axle Kits

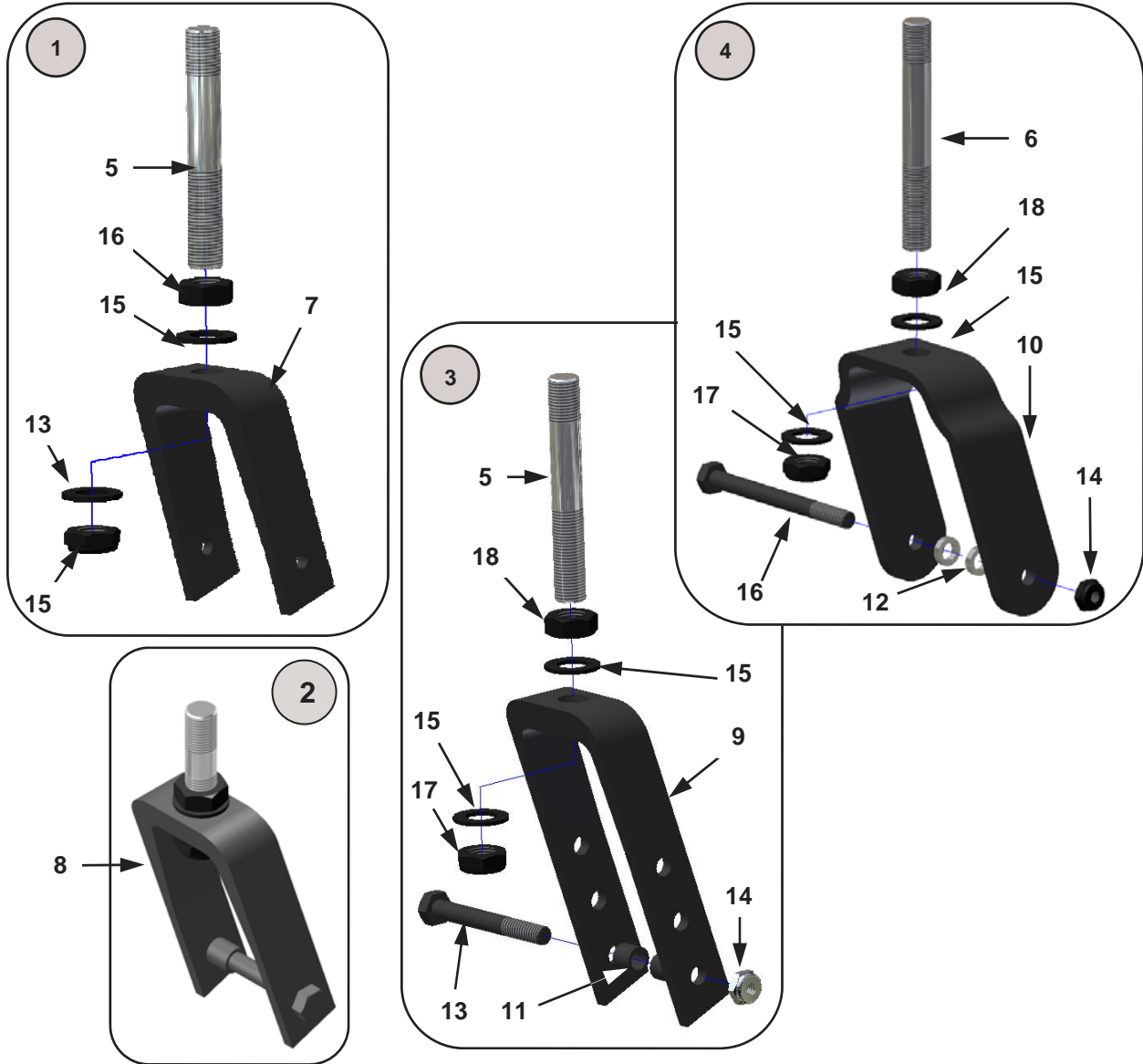
No.	PART #	DESCRIPTION	QTY	No.	PART #	DESCRIPTION	QTY
1	4002	Axle Plate—12, 16 & 18" Wheels	1 ea.	6	9022	Screw—1/4-20 x 1 3/4" Hex Head	1 ea.
	4003	Axle Plate—20, 22 & 24" Wheels	1 ea.	7	9048	Screw—1/4-20 x 1 1/4" Flat Head	1 ea.
2	4004-R	Adapter Plate—Right	1 ea.	8	9051	Screw—1/4-20 x 2 Flat Head	1 ea.
	4004-L	Adapter Plate, Hub Lock—Left	1 ea.	9	9072	Locknut—1/4-20 Nylon	1 ea.
	4004	Adapter Plates, Hub Lock—Rt & Lt	1 pr.	10	9074	Washer—1/4" Flat	1 ea.
3	2003	Double Lock Axle Receiver	1 ea.	11	9092	Nut—3/4-16 Hex Jam	1 ea.
4	1999A	Spacer	1 ea.	12	13270-4002	Axle Kit for 12", 16" and 18" Wheels	1 pr.
5	4001	Quick Release Axle	1 ea.		13270-4003	Axle Kit for 20", 22" And 24" Wheels	1 pr.

BACK CANES & STROLLER HANDLES



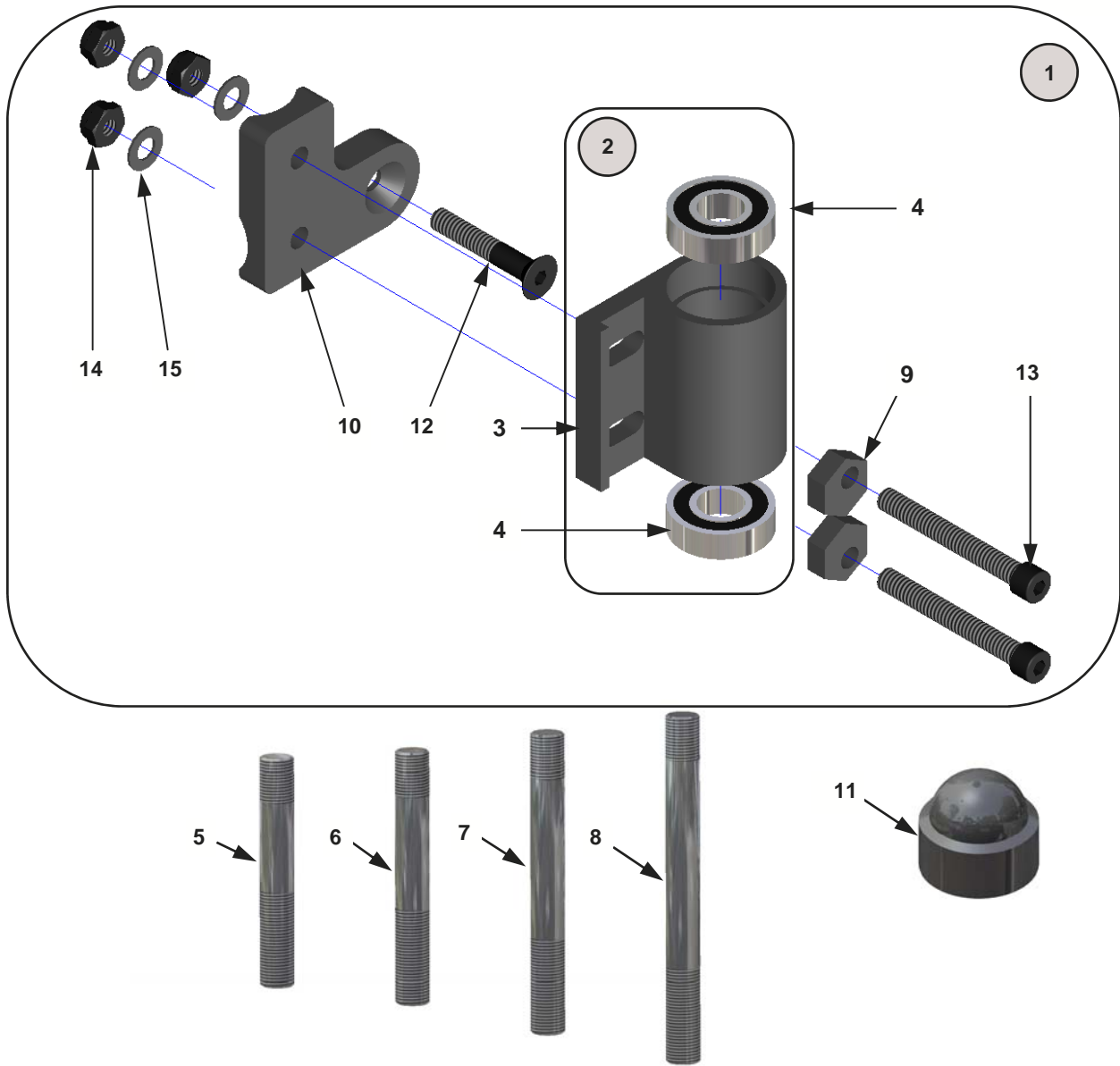
No.	PART #	DESCRIPTION	QTY	No.	PART #	DESCRIPTION	QTY
1	13200	Gizmo Back Canes—Short	1 pr.	11	9088	Locknut—5/16-18 Nylon	1 ea.
	13201	Gizmo Back Canes—Medium	1 pr.	12	9090	Washer—5/16" Flat	1 ea.
	13202	Gizmo Back Canes—Tall	1 pr.	13	10620	Stroller Handle Assy. (Handle/Adapt)	1 pr.
1A	13203	Gizmo Back Canes—Short, Ergo	1 pr.	14	10621	Stroller Handle	1 ea.
	13204	Gizmo Back Canes—Medium, Ergo	1 pr.	15	10622	Adapter Tube	1 ea.
	13205	Gizmo Back Canes—Tall, Ergo	1 pr.	16	9035	Screw—1/4-20 x 1 1/2" Button Head	1 ea.
2	2004D	Back Cane Receiver Plate	1 ea.	17	9073	Locknut—1/4"-20 Thin Nylon	1 ea.
	1998	Foam Grip	1 ea.	18	*10623	One Piece Stroller Handle Assembly	1 ea.
4	9000	1" Tube End Plug	1 ea.	19	*10625	Push Button Angle Adj. Stroller	1 ea.
5	9005	1" Saddle for 5/16" Screw	1 ea.	20	5023	Stem Bumper for Back Post & Arms	1 ea.
6	9005A	1" Saddle for 1/4" Screw	1 ea.	21	2004F	Back Cane Receiver & Hardware	1 pr.
7	9024	Screw—1/4-20 x 2 1/4" Hex Head	1 ea.		2004F-L	Back Cane Receiver & Hardware—Rt	1 ea.
8	9072	Nut—1/4-20 Nylon Lock	1 ea.		2004F-R	Back Cane Receiver & Hardware—Lt	1 ea.
9	9074	Washer—1/4" Flat	1 ea.				
10	9081	Screw—5/16-18 x 2 1/4" Hex Head	1 ea.				

CASTER COMPONENTS—Forks



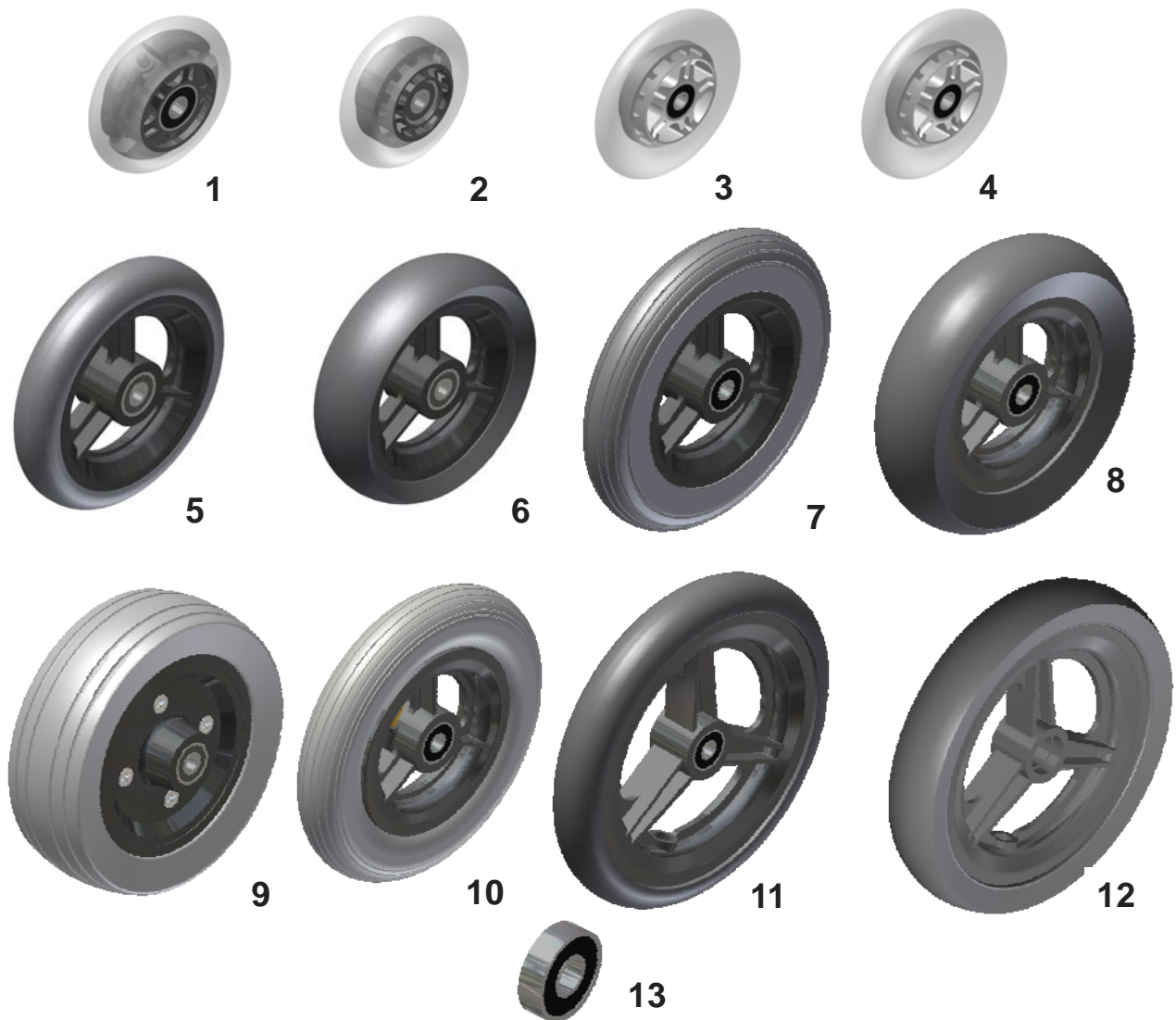
No.	PART #	DESCRIPTION	QTY	No.	PART #	DESCRIPTION	QTY
1	10040-1	3" Caster Fork Assembly	1 ea.	8	2011C	4" Caster Fork	1 ea.
	10040-2	3" Caster Fork Assemblies	1 pr.	9	2011A	5", 6" & 7" Caster Fork	1 ea.
2	10052-1	4" Caster Fork Assembly	1 ea.	10	2011B	6" x 2" Caster Fork	1 ea.
	10052-2	4" Caster Fork Assembly	1 pr.	11	2013	Caster Spacer (except 6 x 2 casters)	1 ea.
3	10041-1	5", 6" & 7" Caster Fork Assembly	1 ea.	12	2013A	Caster Spacer 6 x 2 caster only	1 ea.
	10041-2	5", 6" & 7" Caster Fork Assemblies	1 pr.	13	9082	Screw—5/16 x 2 1/2" Hex Head	1 ea.
4	10045-1	6" x 2" Caster Fork Assembly	1 ea.	14	9088	Locknut—5/16" Thin Nylon	1 ea.
	10045-2	6" x 2" Caster For Assemblies	1 pr.	15	9089	Washer—1/2" Flat	1 ea.
5	2010A	3 5/8" Caster Stem	1 ea.	16	9084	Screw—5/16 x 3 1/2" Hex Head	1 ea.
6	2010B	4" Caster Stem	1 ea.	17	9085	Locknut—1/2-20 Thin Nylon	1 ea.
7	2011	3" Caster Fork	1 ea.	18	9091	Nut—1/2" Hex Jam	1 ea.

CASTER COMPONENTS—Mounting



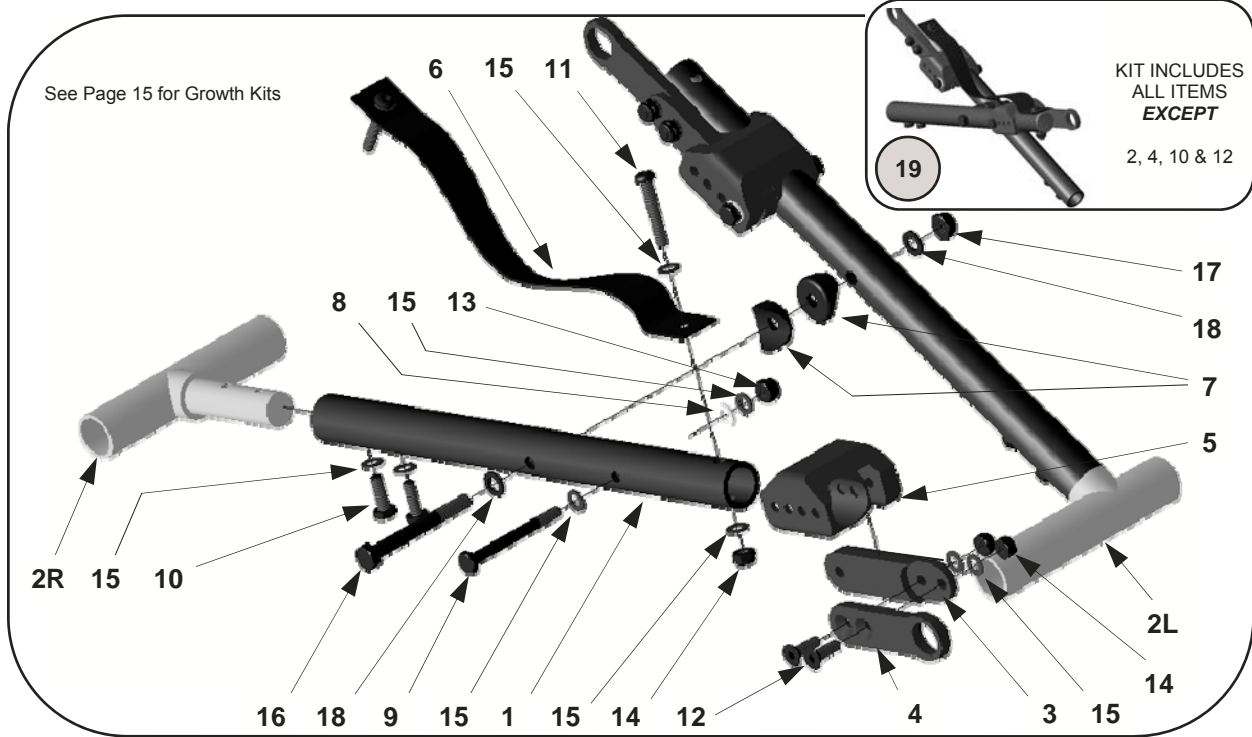
No.	PART #	DESCRIPTION	QTY	No.	PART #	DESCRIPTION	QTY
1	2008-B	Caster Housing / Plates & Cams	1 pr.	9	2012	Eccentric Nut	1 ea.
	2008-R	Caster Housing / Plates & Cams—Rt	1 ea.	10	13041-R	Caster Adapter Plate—Right	1 ea.
	2008-L	Caster Housing / Plates & Cams—Lt	1 ea.		13041-L	Caster Adapter Plate—Left	1 ea.
2	2008A	Caster Housing Assembly / Bearings	1 ea.		13041	Caster Adapter Plates—Right & Left	1 pr.
3	2008	Caster Housing	1 ea.	11	9077	3/4" Hex Nut Cap	1 ea.
4	2009	Caster Bearing	1 ea.	12	9049	Screw—1/4 x 1 1/4" Flat Head	1 ea.
5	2010A	3 5/8" Caster Stem	1 ea.	13	9065	Screw—1/4 x 2" Socket Head	1 ea.
6	2010	4 3/4" Caster Stem	1 ea.	14	9073	Locknut—1/4" Thin Nylon	1 ea.
7	2010B	4" Caster Stem	1 ea.	15	9075	Washer—1/4" Thin Flat	1 ea.
8	2010C	5 1/2" Caster Stems	1 ea.				

CASTER COMPONENTS – Wheels & Bearings



No.	PART #	DESCRIPTION	QTY	No.	PART #	DESCRIPTION	QTY
1	10141-1	3" Micro Light Up Caster	1 ea.		10144-2	6" x 1" Poly Casters	1 pr.
	10141-2	3" Micro Light Up Casters	1 pr.	8	10150-1	6" x 1.5" Poly Caster	1 ea.
2	10142-1	3" Micro Caster	1 ea.		10150-2	6" x 1.5" Poly Casters	1 pr.
	10142-2	3" Micro Casters	1 pr.	9	10151-1	6" x 2" Poly Caster	1 ea.
3	10152-1	4" Micro Caster	1 ea.		10151-2	6" x 2" Poly Casters	1 pr.
	10152-2	4" Micro Casters	1 pr.	10	10145-1	6" x 1" Pneumatic Caster	1 ea.
4	10153-1	4" Micro Light Up Caster	1 ea.		10145-2	6" x 1" Pneumatic Casters	1 pr.
	10153-2	4" Micro Light Up Casters	1 pr.	11	10146-1	7" x 1" Poly Caster	1 ea.
5	10143-1	5" x 1" Poly Caster	1 ea.		10146-2	7" x 1" Poly Casters	1 pr.
	10143-2	5" x 1" Poly Casters	1 pr.	12	10148-1	7" x 1.5" Caster	1 ea.
6	10149-1	5" x 1.5" Poly Caster	1 ea.		10148-2	7" x 1.5" Casters	1 pr.
	10149-2	5" x 1.5" Poly Casters	1 pr.	13	2009A	Caster Wheel Bearing	1 ea.
7	10144-1	6" x 1" Poly Caster	1 ea.				

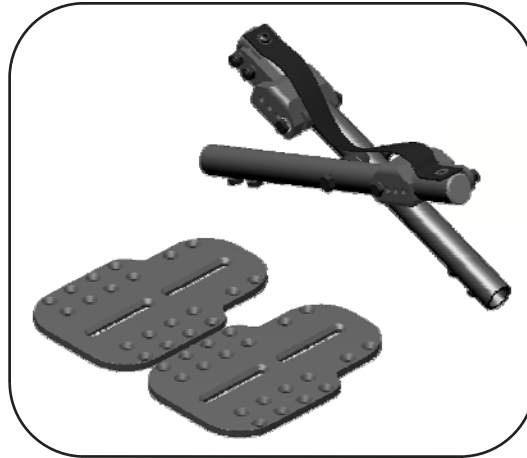
CROSS BRACES—From Serial No. GZ-15000



*Item #1 Cross bar Serial numbers GZ-13700 and up require cross bars with bottom inside diameter of 3/4" diameter.

No.	PART #	DESCRIPTION	QTY	No.	PART #	DESCRIPTION	QTY
1	20030	Gizmo Cross Tube—10"	1 ea.	6	9095-99	Folding Strap	1 ea.
	20031	Gizmo Cross Tube—11"	1 ea.	7	9005	1" Plastic Saddle	1 ea.
	20032	Gizmo Cross Tube—12"	1 ea.	8	9010	Washer—1/4" Flat Nylon	1 ea.
	20033	Gizmo Cross Tube—13"	1 ea.	9	9025	Screw—1/4 x 2 1/2" Hex Head	1 ea.
	20034	Gizmo Cross Tube—14"	1 ea.	10	9034	Screw—1/4 x 7/8" Button Head	1 ea.
	20035	Gizmo Cross Tube—15"	1 ea.	11	9021	Screw—1/4 x 1 1/2" Button Head	1 ea.
	20036	Gizmo Cross Tube—16"	1 ea.	12	9053	Screw—1/4 x 5/8" Flat Socket Head	1 ea.
	20037	Gizmo Cross Tube—17"	1 ea.	13	9072	Locknut—1/4" Nylon	1 ea.
	20038	Gizmo Cross Tube—18"	1 ea.	14	9073	Locknut—1/4" Thin Nylon	1 ea.
2	13110R	Gizmo Cross Brace Hinge—Right	1 ea.	15	9074	Washer—1/4" Flat	1 ea.
	13110L	Gizmo Cross Brace Hinge—Left	1 ea.	16	9083	Screw—5/16 x 2 3/4" Hex Head	1 ea.
	13110	Gizmo Cross Brace Hinges—Rt. & Lt.	1 pr.	17	9088	Locknut—5/16-18 Nylon	1 ea.
3	13141	Gizmo Cross Brace Arm—10"	1 ea.	18	9089	Washer 5/16" Flat	1 ea.
	13142	Gizmo Cross Brace Arm—11"	1 ea.	19	20000	Gizmo 10" Cross Brace Kit Complete	1 ea.
	13143	Gizmo Cross Brace Arm—12"	1 ea.		20001	Gizmo 11" Cross Brace Kit Complete	1 ea.
	13144	Gizmo Cross Brace Arm—13"	1 ea.		20002	Gizmo 12" Cross Brace Kit Complete	1 ea.
	13145	Gizmo Cross Brace Arm—14"	1 ea.		20003	Gizmo 13" Cross Brace Kit Complete	1 ea.
	13146	Gizmo Cross Brace Arm—15"	1 ea.		20004	Gizmo 14" Cross Brace Kit Complete	1 ea.
	13147	Gizmo Cross Brace Arm—16"	1 ea.		20005	Gizmo 15" Cross Brace Kit Complete	1 ea.
	13148	Gizmo Cross Brace Arm—17"	1 ea.		20006	Gizmo 16" Cross Brace Kit Complete	1 ea.
	13149	Gizmo Cross Brace Arm—18"	1 ea.		20007	Gizmo 17" Cross Brace Kit Complete	1 ea.
4	13150	Arm Hinge	1 ea.		20008	Gizmo 18" Cross Brace Kit Complete	1 ea.
5	20009	Cross Brace Rigidizer	1 ea.				

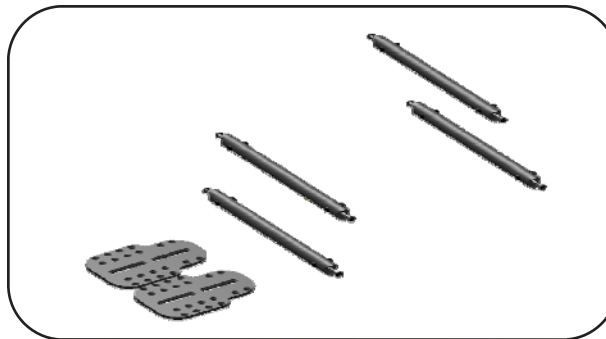
CROSS BRACE GROWTH KITS—Folding & Rigid



GROWTH KIT OPTIONS

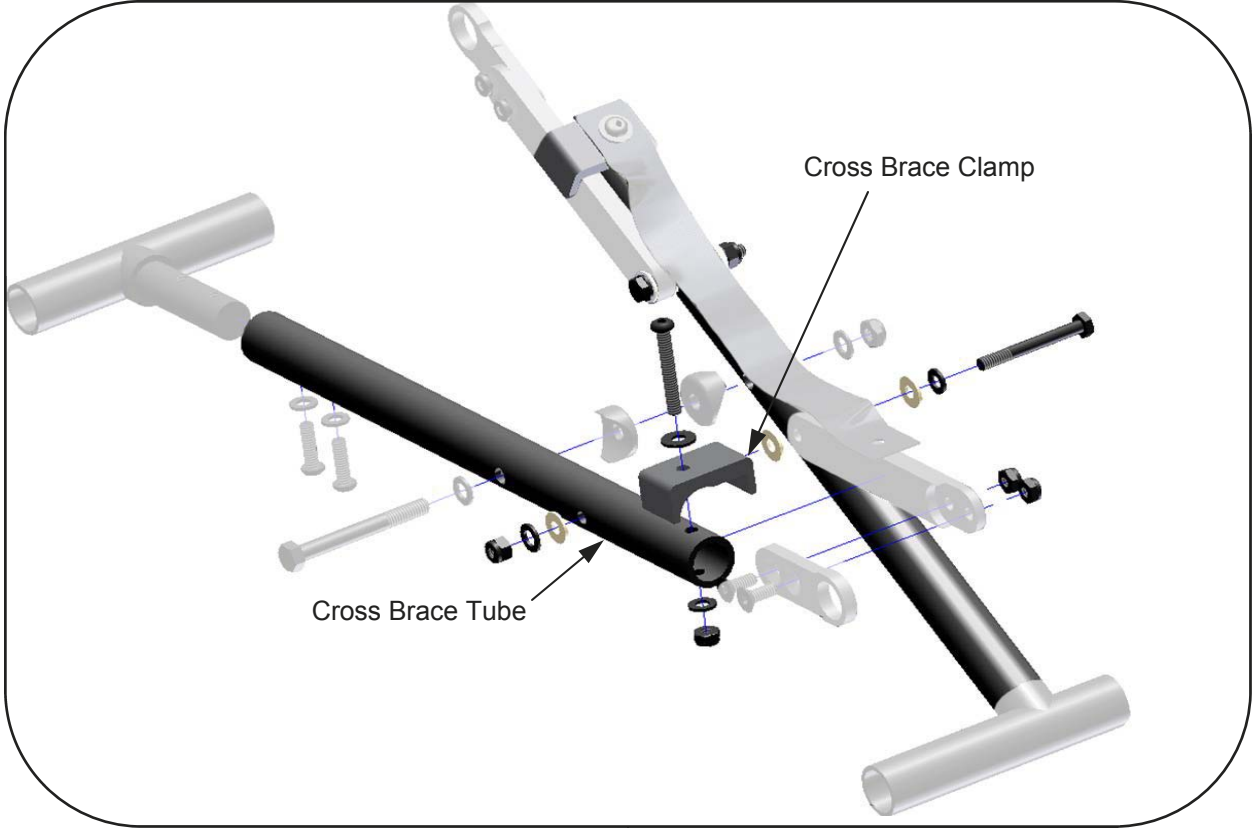
Please provide serial number

Cross Braces & Footplates		
PART #	DESCRIPTION	QTY.
20001FP	11" Cross Brace Assembly / Footplates	1 set
20002FP	12" Cross Brace Assembly / Footplates	1 set
20003FP	13" Cross Brace Assembly / Footplates	1 set
20004FP	14" Cross Brace Assembly / Footplates	1 set
20005FP	15" Cross Brace Assembly / Footplates	1 set
20006FP	16" Cross Brace Assembly / Footplates	1 set
20007FP	17" Cross Brace Assembly / Footplates	1 set
20008FP	18" Cross Brace Assembly / Footplates	1 set



Rigid Cross Bars Only			Rigid Cross Bars & Footplates		
PART #	DESCRIPTION	QTY.	PART #	DESCRIPTION	QTY.
10090	10" Rigid Cross Bar Assembly Only	1 set	10090FP	10" Rigid Cross Bar Assembly / Footplates	1 set
10091	11" Rigid Cross Bar Assembly Only	1 set	10091FP	11" Rigid Cross Bar Assembly / Footplates	1 set
10092	12" Rigid Cross Bar Assembly Only	1 set	10092FP	12" Rigid Cross Bar Assembly / Footplates	1 set
10093	13" Rigid Cross Bar Assembly Only	1 set	10093FP	13" Rigid Cross Bar Assembly / Footplates	1 set
10094	14" Rigid Cross Bar Assembly Only	1 set	10094FP	14" Rigid Cross Bar Assembly / Footplates	1 set
10095	15" Rigid Cross Bar Assembly Only	1 set	10095FP	15" Rigid Cross Bar Assembly / Footplates	1 set
10096	16" Rigid Cross Bar Assembly Only	1 set	10096FP	16" Rigid Cross Bar Assembly / Footplates	1 set
10097	17" Rigid Cross Bar Assembly Only	1 set	10097FP	17" Rigid Cross Bar Assembly / Footplates	1 set
10098	18" Rigid Cross Bar Assembly Only	1 set	10098FP	18" Rigid Cross Bar Assembly / Footplates	1 set

CROSS BRACES—(discontinued) Serial Nos. GZ-12400 thru GZ-14999

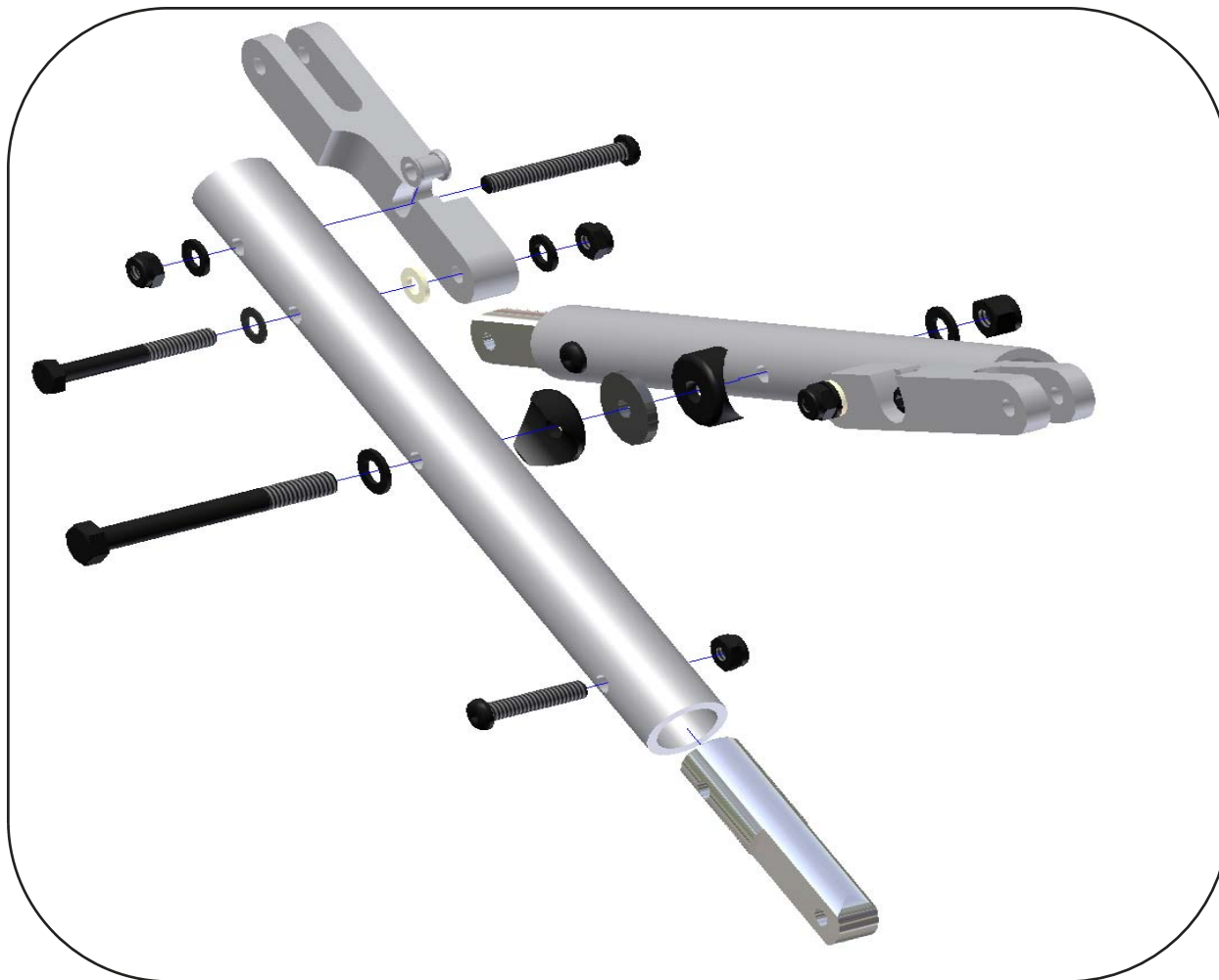


1 To replace cross braces for serial numbers GZ-13700 to GZ-14999 refer to page 14 of this manual.

Please provide frame serial number and chair width.

No.	PART #	DESCRIPTION	QTY
1	13130	Gizmo Cross Tube Replacement Kit—10"	1 ea.
	13131	Gizmo Cross Tube Replacement Kit—11"	1 ea.
	13132	Gizmo Cross Tube Replacement Kit—12"	1 ea.
	13133	Gizmo Cross Tube Replacement Kit—13"	1 ea.
	13134	Gizmo Cross Tube Replacement Kit—14"	1 ea.
	13135	Gizmo Cross Tube Replacement Kit—15"	1 ea.
	13136	Gizmo Cross Tube Replacement Kit—16"	1 ea.
	13137	Gizmo Cross Tube Replacement Kit—17"	1 ea.
	13138	Gizmo Cross Tube Replacement Kit—18"	1 ea.

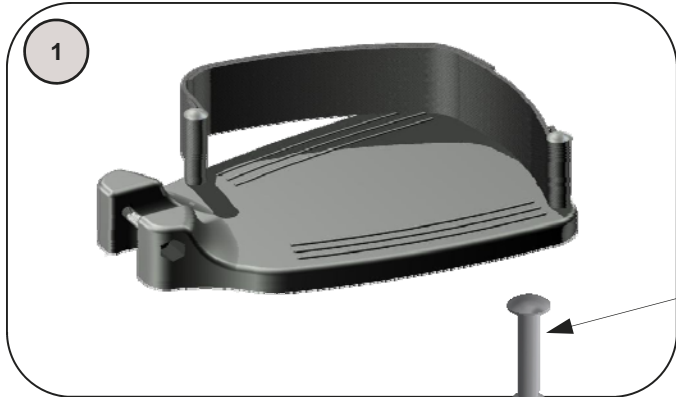
CROSS BRACES—(discontinued) Serial No. up to GZ-12399



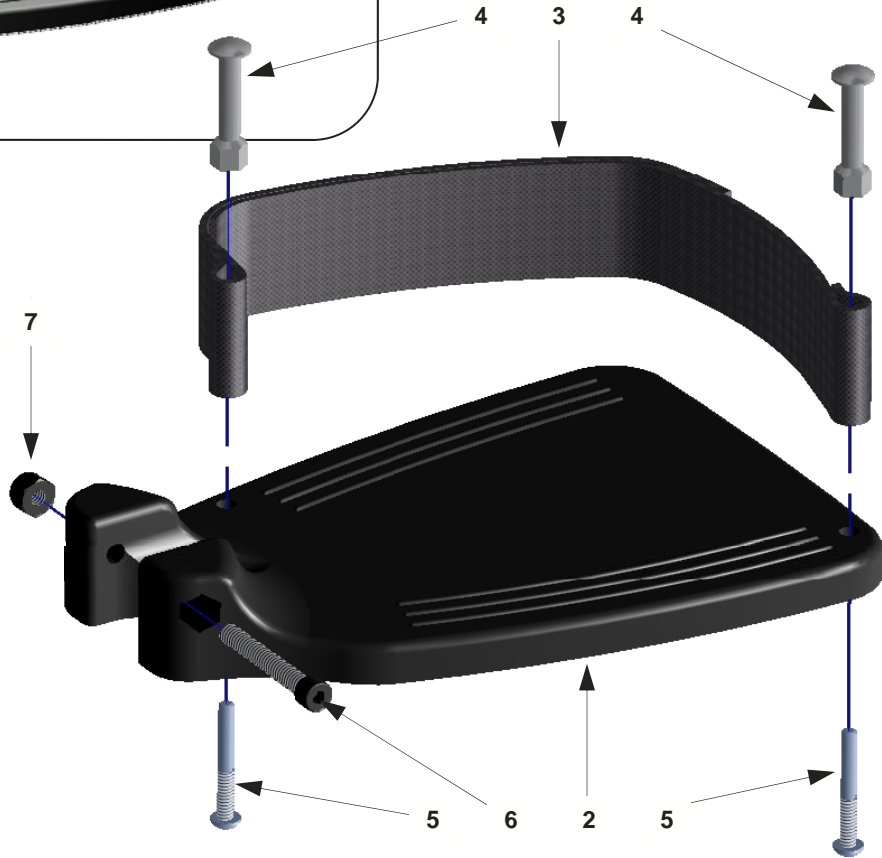
Contact Customer Service for all cross brace replacement parts .

**Please provide frame serial
number, chair width, and chair depth.**

FOOTRESTS—Composite Flip-up Footplate



This footplate is only for use with footrest hangers or elevating legrest shown on pages 28, 29 & 32.

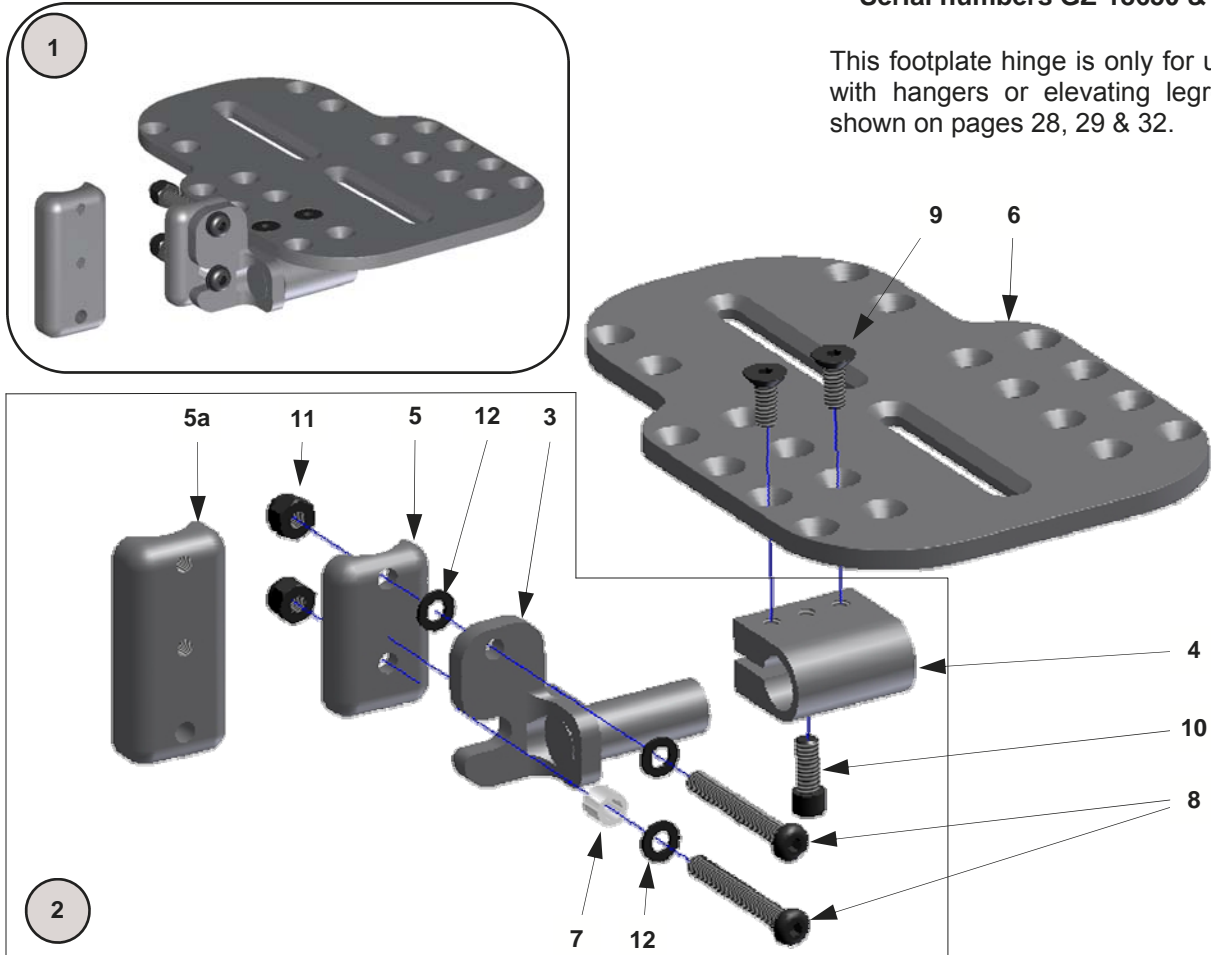


No.	PART #	DESCRIPTION	QTY	No.	PART #	DESCRIPTION	QTY
1	20071	Footplate Assemblies—12-13"	1 pr.		20075-L	Footplate—12-13", Left	1 ea.
	20071-R	Footplate Assembly—12-13", Right	1 ea.		20076-R	Footplate—14-15", Right	1 ea.
	20071-L	Footplate Assembly—12-13", Left	1 pr.		20076-L	Footplate—14-15", Left	1 ea.
	20072	Footplate Assemblies—14-15"	1 pr.		20077-R	Footplate—16-17", Right	1 ea.
	20072-R	Footplate Assembly—14-15", Right	1 ea.		20077-L	Footplate—16-17", Left	1 ea.
	20072-L	Footplate Assembly—14-15", Left	1 ea.		20078-R	Footplate—18", Right	1 ea.
	20073	Footplate Assemblies—16-17"	1 pr.		20078-L	Footplate—18", Left	1 ea.
	20073-R	Footplate Assembly—16-17", Right	1 ea.	3	EE9D	Heel Loops	1 pr.
	20073-L	Footplate Assembly—16-17", Left	1 ea.	4	9108	Heel Loop Mount Stud	1 ea.
	20074	Footplate Assemblies—18"	1 pr.	5	9109	Heel Loop Mount Screw	1 ea.
	20074-R	Footplate Assembly—18", Right	1 ea.	6	9064	Screw—1/4 x 1 3/4" Socket Head	1 ea.
	20074-L	Footplate Assembly—18", Left	1 ea.	7	9072	Locknut—1/4" Nylon	1 ea.
2	20075-R	Footplate—12-13", Right	1 ea.				

FOOTRESTS—Flip Up Footplate

Serial numbers GZ-18650 & up

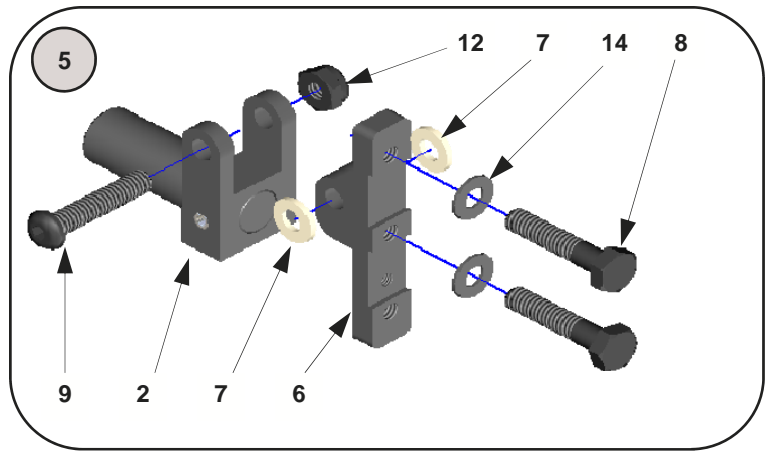
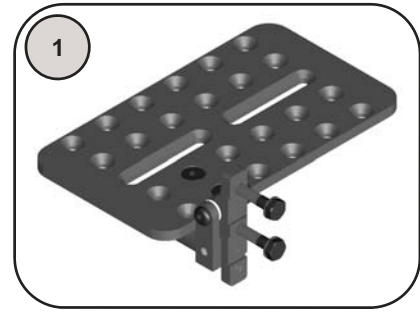
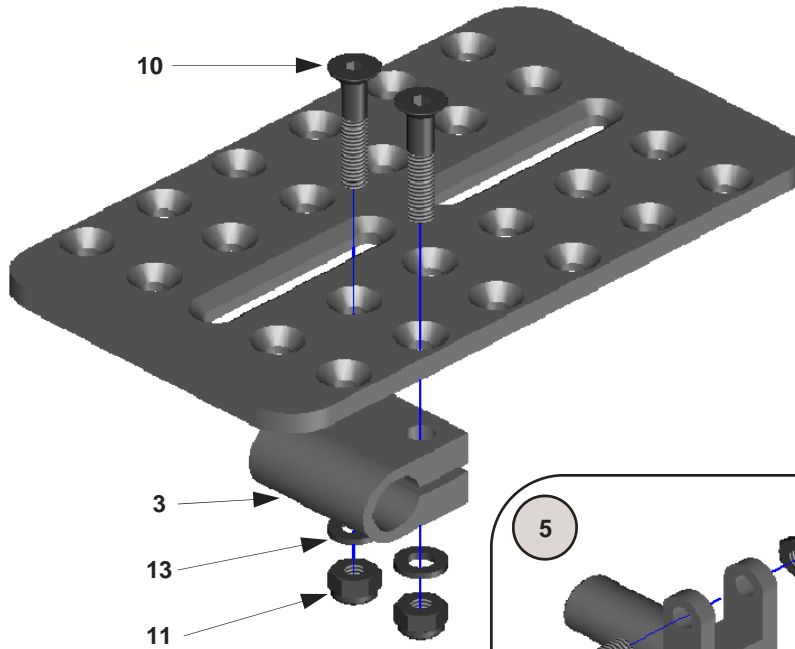
This footplate hinge is only for use with hangers or elevating legrest shown on pages 28, 29 & 32.



No.	PART #	DESCRIPTION	QTY	No.	PART #	DESCRIPTION	QTY
1	20050	Flip Up Footplate Assy, 10-11"	1 pr.	20051-L	Pivot Arm Assembly—Left	1 ea.	
	20050-R	Flip Up Footplate Assy, 10-11, Rt.	1 ea.	3	20065-R	Pivot Arm—Right	1 ea.
	20050-L	Flip Up Footplate Assy, 10-11", Lt.	1 ea.		20065-L	Pivot Arm—Left	1 ea.
	20060	Flip Up Footplate Assy, 12-13"	1 pr.	4	20066	Footplate Swivel Clamp	1 ea.
	20060-R	Flip Up Footplate Assy, 12-13", Rt.	1 ea.	5	20067	Hanger Spacer	1 ea.
	20060-L	Flip Up Footplate Assy, 12-13", Lt.	1 ea.	5a	20068	Hanger Spacer—Extended	1 ea.
	20061	Flip Up Footplate Assy, 14-15"	1 pr.	6	20040	Footplate—Flip Up Angle Adj., 10-11"	1 ea.
	20061-R	Flip Up Footplate Assy, 14-15, Rt.	1 ea.		20041	Footplate —Flip Up Angle Adj., 12-13"	1 ea.
	20061-L	Flip Up Footplate Assy, 4-15", Lt.	1 ea.		20042	Footplate—Flip Up Angle Adj., 14-15"	1 ea.
	20062	Flip Up Footplate Assy, 16-17"	1 pr.		20043	Footplate—Flip Up Angle Adj., 16-17"	1 ea.
	20062-R	Flip Up Footplate Assy, 16-17, Rt.	1 ea.		20044	Footplate—Flip Up Angle Adj., 18"	1 ea.
	20062-L	Flip Up Footplate Assy, 16-17", Lt.	1 ea.	7	20069	Footplate Pivot Spacer	1 ea.
	20063	Flip Up Footplate Assy, 18"	1 pr.	8	9037	Screw—1/4-20 x 2" Button Head	1 ea.
	20063-R	Flip Up Footplate Assy, 18, Rt.	1 ea.	9	9053	Screw—1/4-20 x 5/8" Flat Head	1 ea.
	20063-L	Flip Up Footplate Assy, 18", Lt.	1 ea.	10	9107	Screw—1/4-20 x 5/8" Socket Head	1 ea.
2	20051	Pivot Arm Assemblies	1 pr.	11	9072	Locknut—1/4-20 Nylon	1 ea.
	20051-R	Pivot Arm Assembly—Right	1 ea.	12	9074	Washer—1/4" Flat	1 ea.

FOOTRESTS—90° Flip Up Footplate (discontinued)

Through serial number GZ-18649

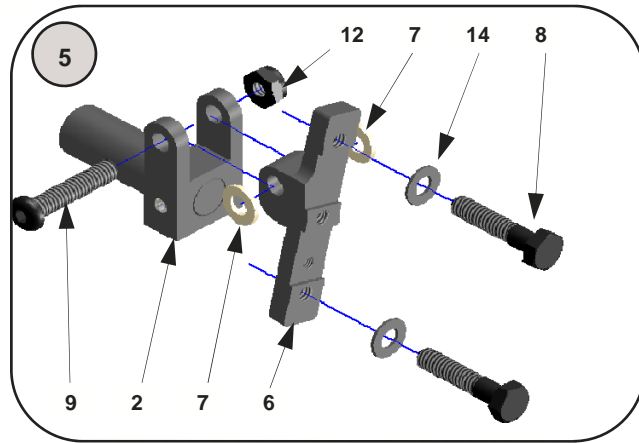
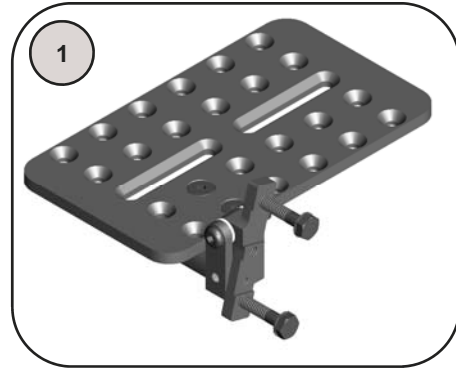
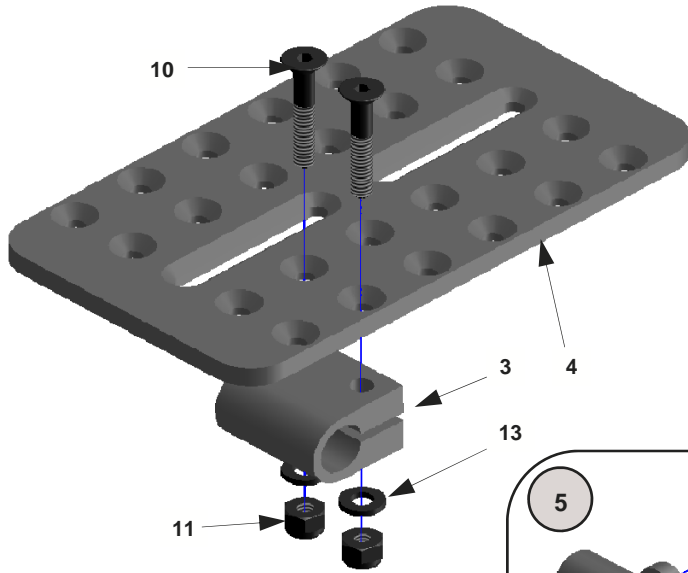


Must be used with footrest hangers or elevating legrests shown on pages 30, 31 & 33.

No.	PART #	DESCRIPTION	QTY	No.	PART #	DESCRIPTION	QTY
1	13031	Flip Up Footplate Assy, 90°, 10-11"	1 pr.	4	3019	Footplate—Flip Up Angle Adj., 10-11"	1 ea.
	13031-R	Flip Up Footplate Assy, 90°, 10-11, Rt.	1 ea.		3020	Footplate—Flip Up Angle Adj., 12-13"	1 ea.
	13031-L	Flip Up Footplate Assy, 90°, 10-11", Lt.	1 ea.		3021	Footplate—Flip Up Angle Adj., 14-15"	1 ea.
	13032	Flip Up Footplate Assy, 90°, 12-13"	1 pr.		3022	Footplate—Flip Up Angle Adj., 16-17"	1 ea.
	13032-R	Flip Up Footplate Assy, 90°, 12-13", Rt.	1 ea.		3023	Footplate—Flip Up Angle Adj., 18"	1 ea.
	13032-L	Flip Up Footplate Assy, 90°, 12-13", Lt.	1 ea.	5	3084	Footplate Hinge Assembly—90°	1 ea.
	13033	Flip Up Footplate Assy, 90°, 14-15"	1 pr.		3084-2	Footplate Hinge Assemblies—90°	1 pr.
	13033-R	Flip Up Footplate Assy, 90°, 14-15, Rt.	1 ea.	6	3085	Mount Plate—90°	1 ea.
	13033-L	Flip Up Footplate Assy, 90°, 14-15", Lt.	1 ea.	7	9010	Washer—1/4" Flat Nylon	1 ea.
	13034	Flip Up Footplate Assy, 90°, 16-17"	1 pr.	8	9020	Screw—1/4 x 1 1/4" Hex Head	1 ea.
	13034-R	Flip Up Footplate Assy, 90°, 16-17, Rt.	1 ea.	9	9034	Screw—1/4 x 1 1/4" Button Head	1 ea.
	13034-L	Flip Up Footplate Assy, 90°, 16-17", Lt.	1 ea.	10	9049	Screw—1/4 x 1 1/2" Flat Head	1 ea.
	13035	Flip Up Footplate Assy, 90°, 18"	1 pr.	11	9072	Locknut—1/4" Nylon	1 ea.
	13035-R	Flip Up Footplate Assy, 90°, 18, Rt.	1 ea.	12	9073	Locknut—1/4" Thin Nylon	1 ea.
	13035-L	Flip Up Footplate Assy, 90°, 18", Lt.	1 ea.	13	9074	Washer—1/4" Flat	1 ea.
2	3016	Footplate Flip Arm	1 ea.	14	9075	Washer—1/4" Thin Flat	1 ea.
3	3018	Footplate Swivel Clamp	1 ea.				

FOOTRESTS—75° Flip Up Footplates (discontinued)

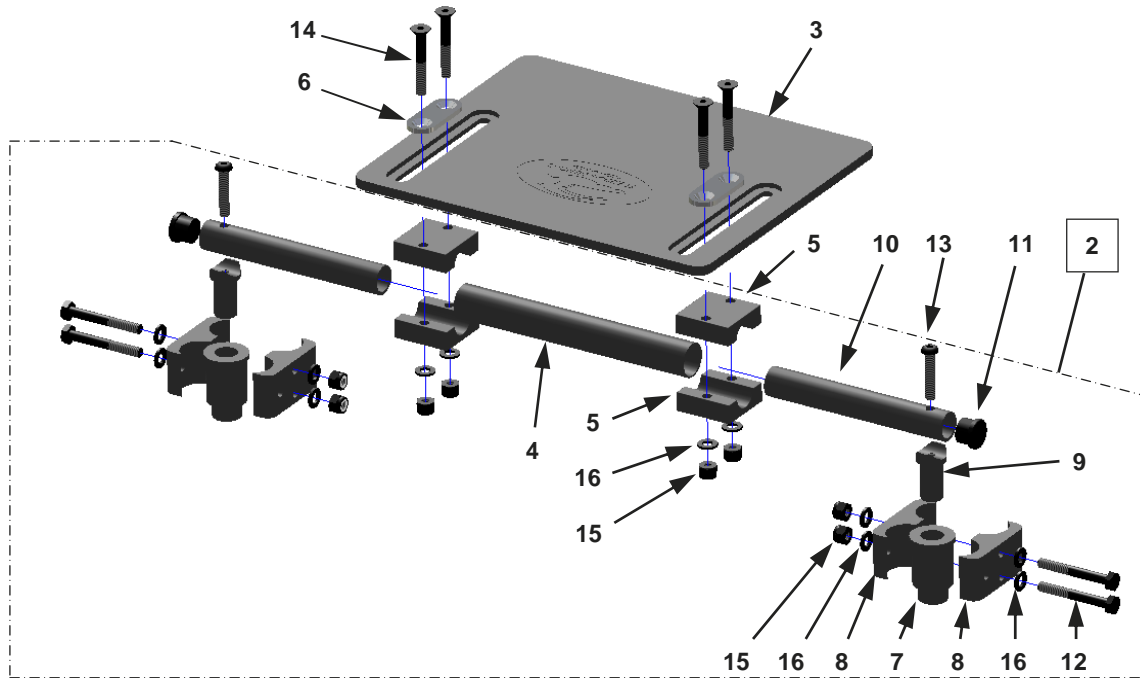
Through serial number GZ-18649



Must be used with footrest hangers shown on pages 30 & 31.

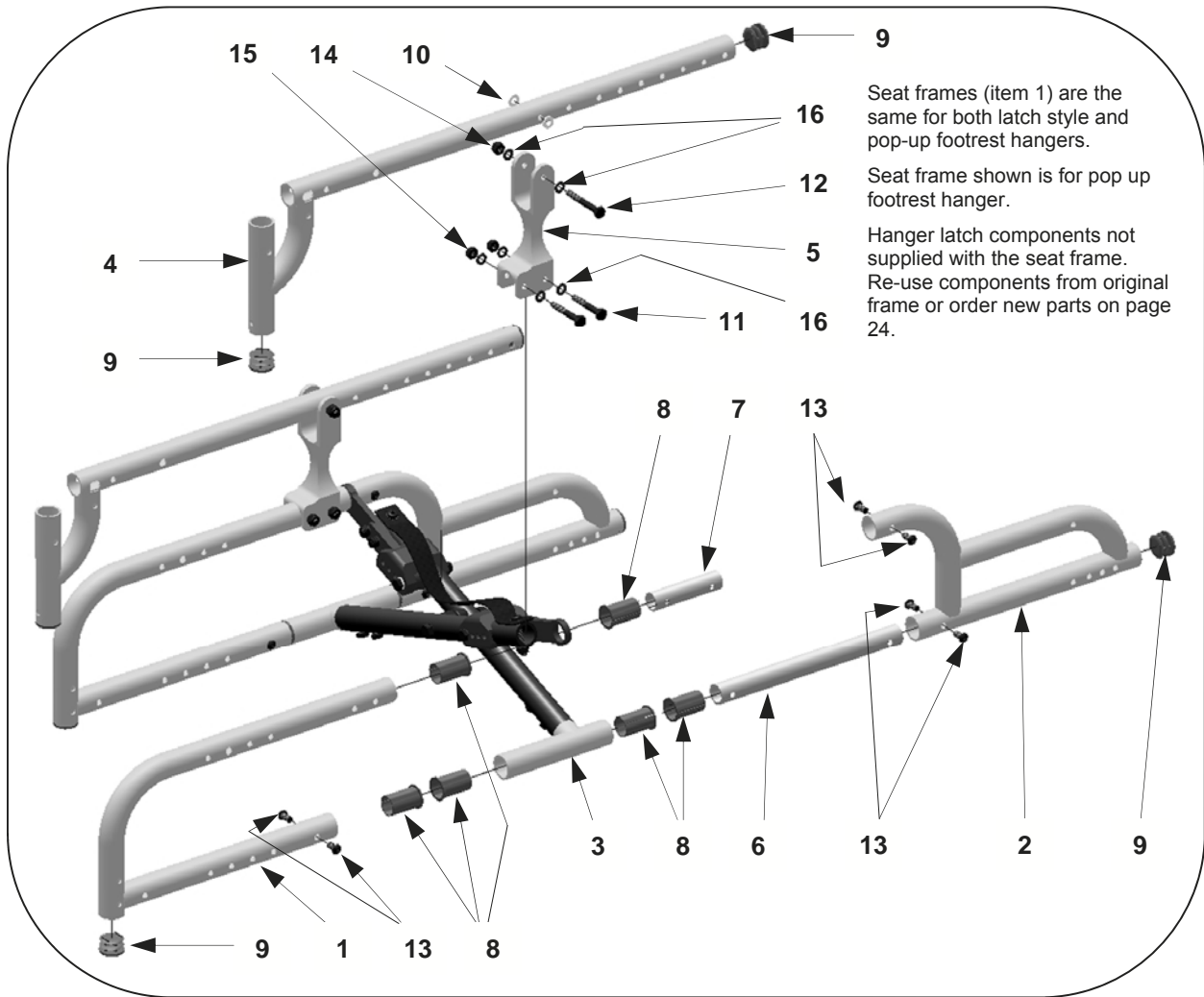
No.	PART #	DESCRIPTION	QTY	No.	PART #	DESCRIPTION	QTY
1	13036	Flip Up Footplate Assy, 75°, 10-11"	1 pr.	4	3019	Footplate—Flip Up Angle Adj., 10-11"	1 ea.
	13036-R	Flip Up Footplate Assy, 75°, 10-11, Rt.	1 ea.		3020	Footplate—Flip Up Angle Adj., 12-13"	1 ea.
	13036-L	Flip Up Footplate Assy, 75°, 10-11", Lt.	1 ea.		3021	Footplate—Flip Up Angle Adj., 14-15"	1 ea.
	13037	Flip Up Footplate Assy, 75°, 12-13"	1 pr.		3022	Footplate—Flip Up Angle Adj., 14-15"	1 ea.
	13037-R	Flip Up Footplate Assy, 75°, 12-13", Rt.	1 ea.		3023	Footplate—Flip Up Angle Adj., 18"	1 ea.
	13037-L	Flip Up Footplate Assy, 75°, 12-13", Lt.	1 ea.	5	3082-R	Footplate Hinge Assembly—75° Right	1 ea.
	13038	Flip Up Footplate Assy, 75°, 14-15"	1 pr.		3082-L	Footplate Hinge Assembly—75° Left	1 ea.
	13038-R	Flip Up Footplate Assy, 75°, 14-15, Rt.	1 ea.	6	3083-R	Mount Plate—75° Right	1 ea.
	13038-L	Flip Up Footplate Assy, 75°, 14-15", Lt.	1 ea.		3083-L	Mount Plate—75° Left	1 ea.
	13039	Flip Up Footplate Assy, 75°, 16-17"	1 pr.	7	9010	Washer—1/4" Flat Nylon	1 ea.
	13039-R	Flip Up Footplate Assy, 75°, 16-17, Rt.	1 ea.	8	9020	Screw—1/4 x 1 1/4" Hex Head	1 ea.
	13039-L	Flip Up Footplate Assy, 75°, 16-17", Lt.	1 ea.	9	9034	Screw—1/4 x 1 1/4" Button Head	1 ea.
	13040	Flip Up Footplate Assy, 75°, 18"	1 pr.	10	9049	Screw—1/4 x 1 1/2" Flat Head	1 ea.
	13040-R	Flip Up Footplate Assy, 75°, 18, Rt.	1 ea.	11	9072	Locknut—1/4" Nylon	1 ea.
	13040-L	Flip Up Footplate Assy, 75°, 18", Lt.	1 ea.	12	9073	Locknut—1/4" Thin Nylon	1 ea.
2	3016	Footplate Flip Arm	1 ea.	13	9074	Washer—1/4" Flat	1 ea.
3	3018	Footplate Swivel Clamp	1 ea.	14	9075	Washer—1/4" Thin Flat	1 ea.

FOOTRESTS—Removable Footboard



No.	PART #	DESCRIPTION	QTY	No.	PART #	DESCRIPTION	QTY
1	10200	Removable Footboard Assy, 10-11"	1 ea.		3033	Spacer Tube, 12-13"	1 ea.
	10201	Removable Footboard Assy, 12-13"	1 ea.		3034	Spacer Tube, 14-15"	1 ea.
	10202	Removable Footboard Assy, 14-15"	1 ea.		3035	Spacer Tube, 16-17"	1 ea.
	10203	Removable Footboard Assy, 16-17"	1 ea.		3036	Spacer Tube, 18"	1 ea.
	10204	Removable Footboard Assy, 18"	1 ea.	5	3027	Footboard Clamp	1 ea.
2	13167	Hardware Assembly, 10-11"	1 ea.	6	3028	Clamp Plate	1 ea.
	13168	Hardware Assembly, 12-13"	1 ea.	7	3029	Receiver Assembly	1 ea.
	13169	Hardware Assembly, 14-15"	1 ea.	8	3024	Frame Clamp	1 ea.
	13170	Hardware Assembly, 16-17"	1 ea.	9	3025	Locking Insert	1 ea.
	13171	Hardware Assembly, 18"	1 ea.	10	3026	Adjustment Tube	1 ea.
3	2037	Removable Footboard, 10-11"	1 ea.	11	3099	Tube Plug-3/4"	1 ea.
	2038	Removable Footboard, 12-13"	1 ea.	12	9023	Screw-1/4 x 2" Hex Head	1 ea.
	2039	Removable Footboard, 14-15"	1 ea.	13	9034	Screw-1/4 x 1 1/4" Button Head	1 ea.
	2040	Removable Footboard, 16-17"	1 ea.	14	9050	Screw-1/4 x 1 3/4" Flat Head	1 ea.
	2041	Removable Footboard, 18"	1 ea.	15	9072	Locknut-1/4 Nylon	1 ea.
4	3032	Spacer Tube, 10-11"	1 ea.	16	9074	Washer-1/4" Flat	1 ea.

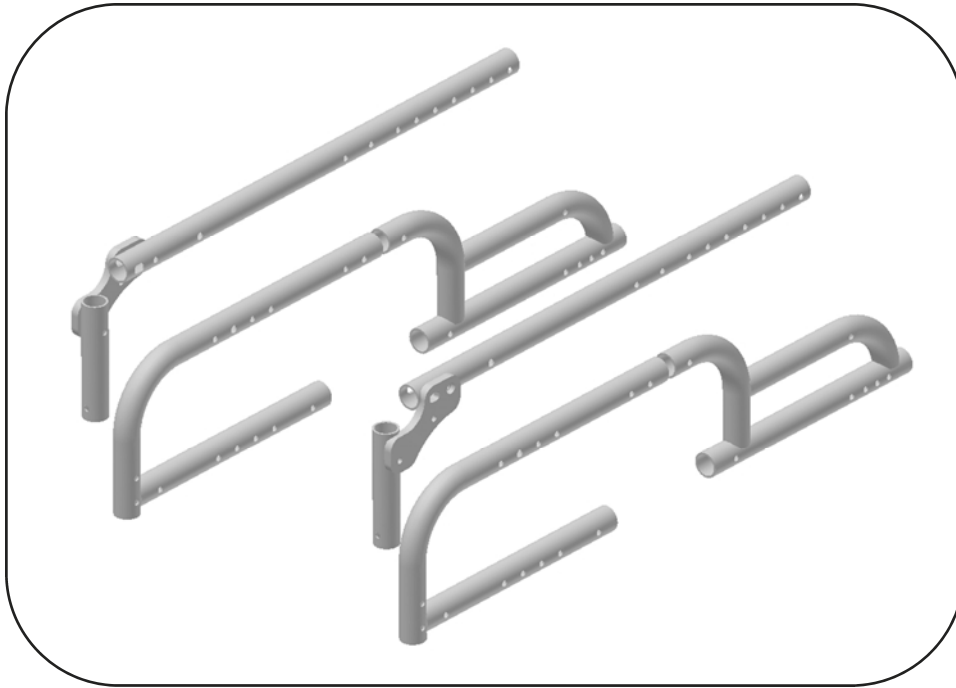
FRAMES—Base (from serial no. GZ-15000)



No.	PART #	DESCRIPTION	QTY	No.	PART #	DESCRIPTION	QTY
1	20010F	Frame—Front, X-Small	1 ea.		22002-L	Seat Frame—M, Left	1 ea.
	20011F	Frame—Front, Small	1 ea.		22003-L	Seat Frame—L, Left	1 ea.
	20012F	Frame—Front, Medium	1 ea.	5	13014	Tilt Post (also see Seat Frames)	1 ea.
	20013F	Frame—Front, Long	1 ea.	6	13066	Insert Tube—Lower	1 ea.
2	20010R	Frame—Rear, X-Small	1 ea.	7	13067	Insert Tube—Upper	1 ea.
	20011R	Frame—Rear, Small	1 ea.	8	13070	Nylon Bearing	1 ea.
	20012R	Frame—Rear, Medium	1 ea.	9	9000	1" Tube Plug	1 ea.
	20013R	Frame—Rear, Long	1 ea.	10	9010	Washer—1/4" Flat Plastic	1 ea.
3	—	Cross Brace Assembly (See pages 14—16)	1 ea.	11	9022	Screw—1/4-20 x 1 3/4" Hex Head	1 ea.
4	22000-R	Seat Frame—XS, Right	1 ea.	12	9023	Screw—1/4-20 x 2" Hex Head	1 ea.
	220001-R	Seat Frame—S, Right	1 ea.	13	9031	Screw—1/4-20 x 1/2" Button Head	1 ea.
	22002-R	Seat Frame—M, Right	1 ea.	14	9072	Locknut—1/4" Nylon	1 ea.
	22003-R	Seat Frame—L, Right	1 ea.	15	9073	Locknut—1/4"-20Thin Nylon	1 ea.
	22000-L	Seat Frame—XS, Left	1 ea.	16	9074	Washer—1/4" Flat	1 ea.
	22001-L	Seat Frame—S, Left	1 ea.				

FRAME GROWTH KITS

From Serial # GZ-15000)
For latch style and pop up hangers



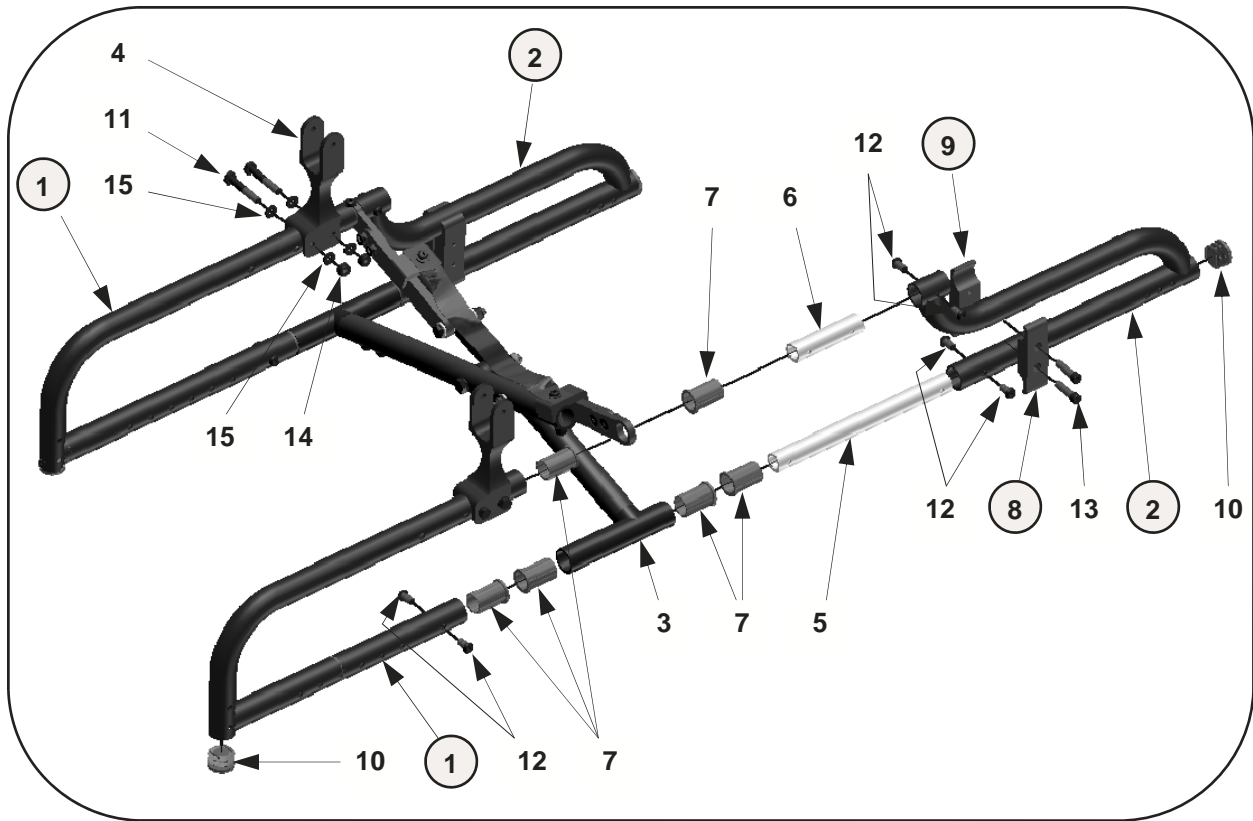
X SMALL			SMALL		
PART #	DESCRIPTION	QTY	PART #	DESCRIPTION	QTY
20014S	Seat Frame	1 pr.	20015S	Seat Frame	1 pr.
20014B	Base Frame	1 pr.	20015B	Base Frame	1 pr.
20014C	Complete Frame (Base & Seat)	1 pr.	20015C	Complete Frame (Base & Seat)	1 pr.

MEDIUM			LONG		
PART #	DESCRIPTION	QTY	PART #	DESCRIPTION	QTY
20016S	Seat Frame	1 pr.	20017S	Seat Frame	1 pr.
20016B	Base Frame	1 pr.	20017B	Base Frame	1 pr.
20016C	Complete Frame (Base & Seat)	1 pr.	20017C	Complete Frame (Base & Seat)	1 pr.

**THESE KITS INCLUDE FRAMES ONLY AND DO NOT INCLUDE FOOTREST HANGERS.*

FRAMES—Base (discontinued)

BASE FRAMES (serial nos. GZ-12400 thru GZ-14999)



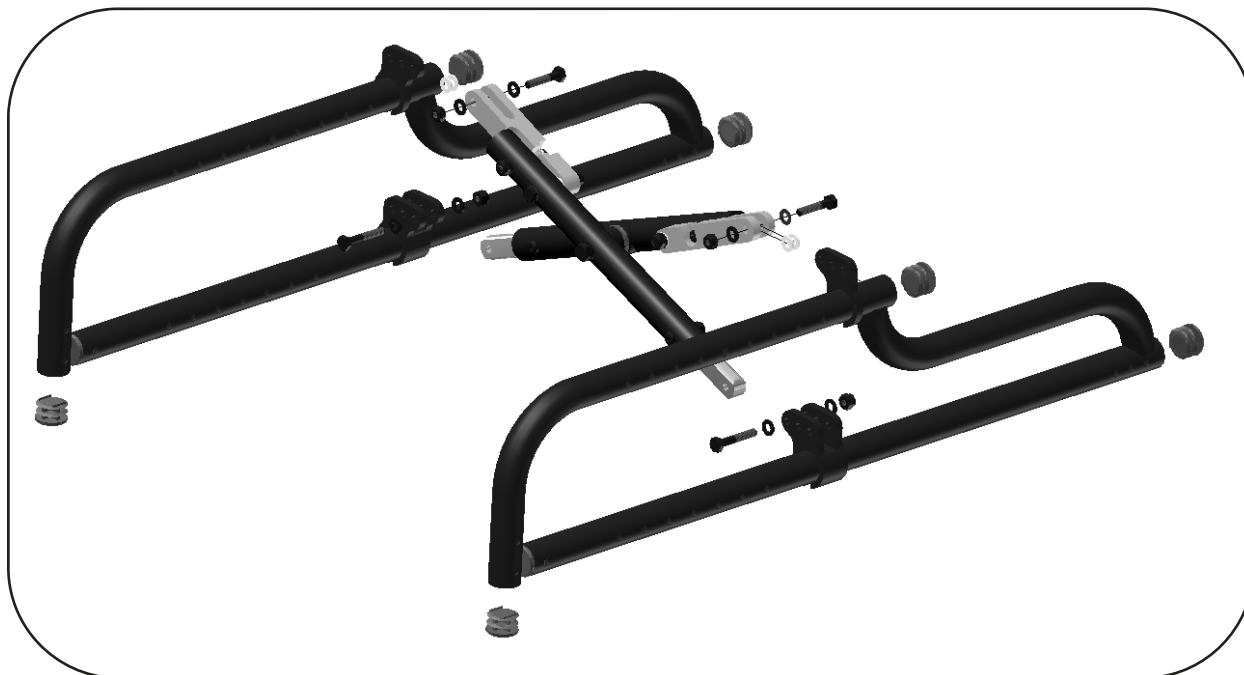
Notes:

1. When ordering items 1 (front frame), 2 (rear frame), and/or items 8 & 9 (support clamps), please order frame kit item 16—*chair length must be specified.*
2. When ordering item 3 (cross brace hinge), please order cross brace kit item 17. Kit includes (2) cross brace hinges, and (2) cross brace tubes—*chair width must be specified.*

No.	PART #	DESCRIPTION	QTY	No.	PART #	DESCRIPTION	QTY
1		SEE NOTE 1		4	13014	Tilt Post (also see Seat Frames)	1 ea.
	20011F	Frame—Front, Small	1 ea.	5	13066	Insert Tube—Lower	1 ea.
	20012F	Frame—Front, Medium	1 ea.	6	13067	Insert Tube—Upper	1 ea.
	20013F	Frame—Front, Long	1 ea.	7	13070	Nylon Bearing	1 ea.
2		SEE NOTE 1		8	9000	1" Tube Plug	1 ea.
	20011R	Frame—Rear, Short	1 ea.	9	9022	Screw—1/4-20 x 1 3/4" Hex Head	1 ea.
	20012R	Frame—Rear, Small	1 ea.	10	9031	Screw—1/4-20 x 1/2" Button Head	1 ea.
	20013R	Frame—Rear, Medium	1 ea.	11	9073	Locknut—1/4-20Thin Nylon	1 ea.
3	—	Cross Brace Assembly (See page 17)	1 ea.	12	9075	Washer—1/4" Flat	1 ea.

FRAMES— Base (discontinued)

BASE FRAMES (thru serial no. GZ-12399)

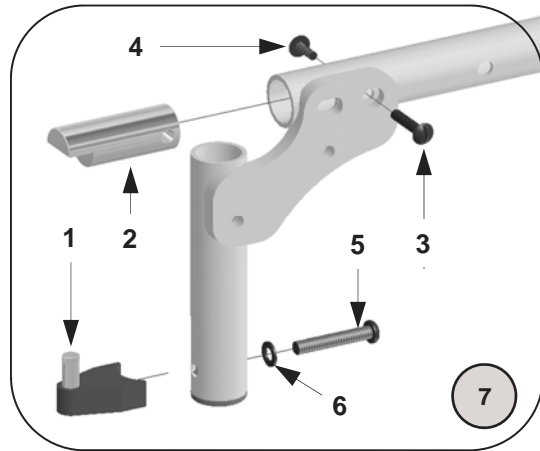


Contact Customer Service for all frame replacement parts .

**Please provide frame serial
number, chair width, and chair depth.**

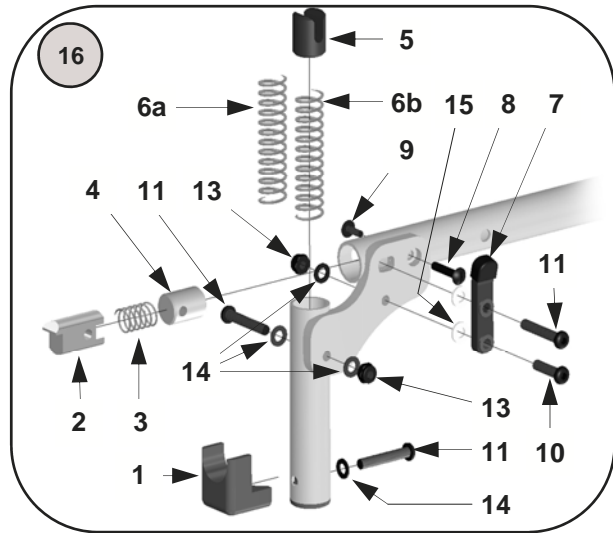
HANGERS — Complete Hanger Retro & Components

Latch Style



No.	PART #	DESCRIPTION	QTY	No.	PART #	DESCRIPTION	QTY
1	13020	Hanger Support—Latch Style	1 ea.	5	9035	Screw—1/4-20 x 1 1/2" Button Head	1 ea.
2	20090	Retainer Plug	1 ea.	6	9074	Washer—1/4" Flat	1 ea.
3	9100	Binding Screw—Female	1 ea.	7	20079	Pop-up to Latch Kit 75° & 90° (all items in box + hangers, see page 30)	1 set
4	9101	Binding Screw—Male	1 ea.		20079-1	Pop-up to Latch Kit 75° & 90° (all items in box + hangers, see page 30)	1 ea.

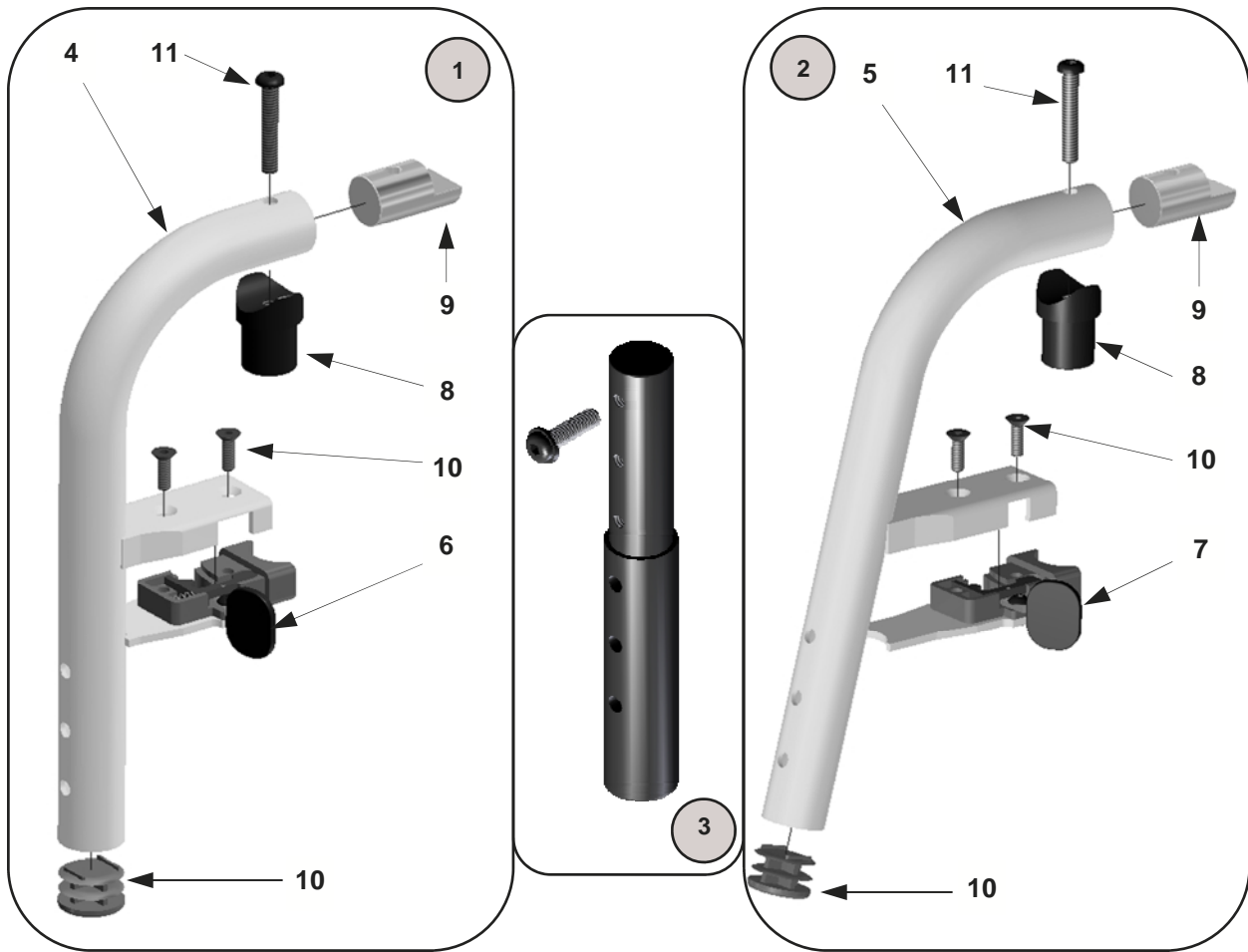
Pop Up Style



No.	PART #	DESCRIPTION	QTY	No.	PART #	DESCRIPTION	QTY
1	13015	Hanger Support—Pop-Up	1 ea.	9	9101	Binding Screw—Male	1 ea.
2	1011	Hanger Latch	1 ea.	10	9033	Screw—1/4-20 x 1" Button Head	1 ea.
3	1012	Latch Spring	1 ea.	11	9035	Screw—1/4-20 x 1 1/2" Button Head	1 ea.
4	1013	Seat Insert	1 ea.	13	9073	Locknut—1/4"-20, Thin Nylon	1 ea.
5	13016	Pop Up Plug	1 ea.	14	9074	Washer—1/4" Flat	1 ea.
6a	13017	Pop Up Spring—75°Hanger	1 ea.	15	9010	Washer—1/4" Flat Plastic	1 ea.
6b	13018	Pop Up Spring—90° Hanger	1 ea.	16	13300-75	Latch to Pop-up Kit 75° (all items in box except 8b + hangers, see page 31)	1 set
7	13019	Hanger Release Lever Assembly	1 ea.		13300-90	Latch to Pop-up Kit 90° (all items in box except 8a + hangers, see page 31)	1 set
8	9100	Binding Screw—Female	1 ea.				

HANGERS—Latch Style

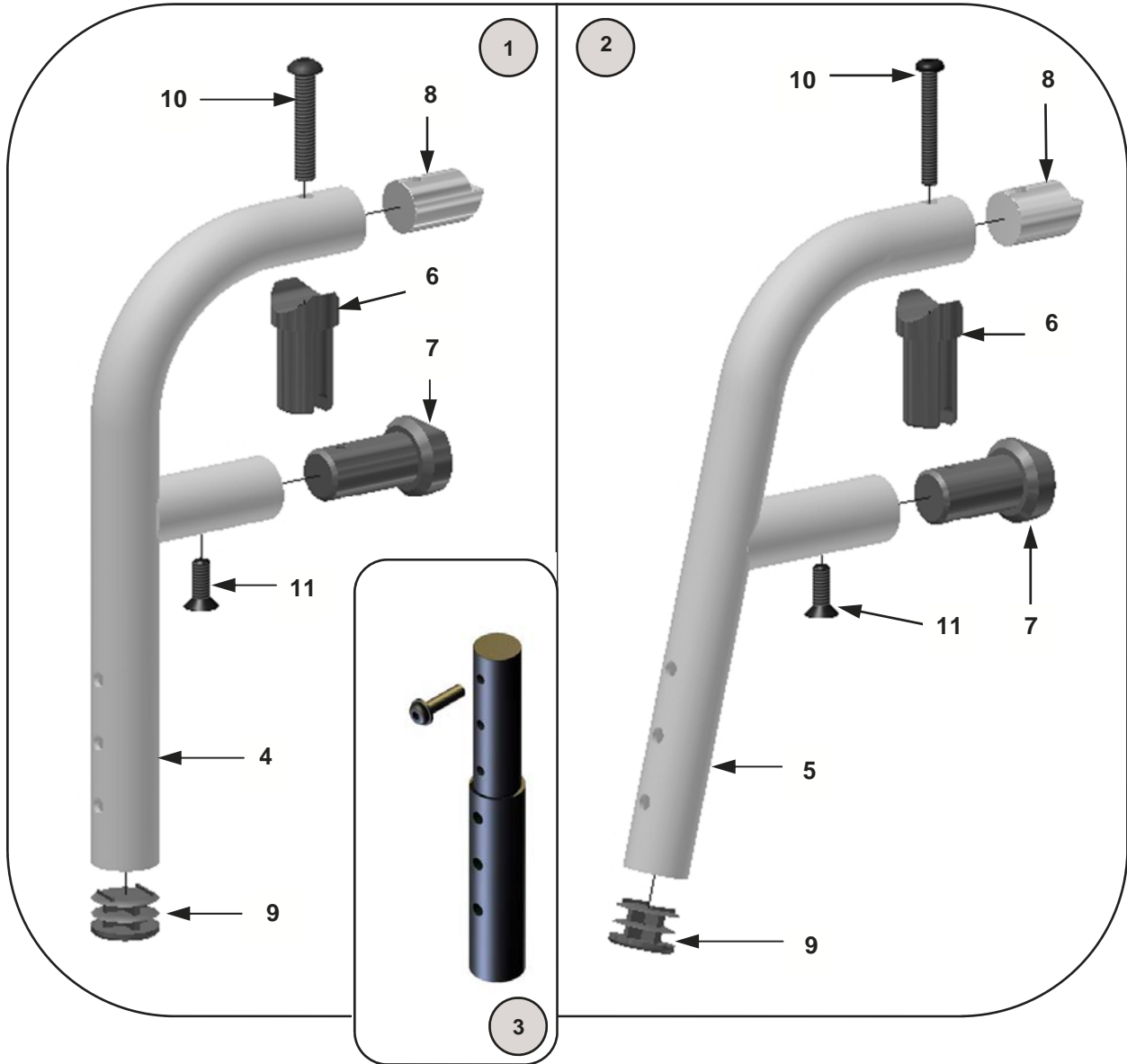
Serial number GZ-18650 & up



These hangers require footplate assemblies shown on pages 18 & 19.

No.	PART #	DESCRIPTION	QTY	No.	PART #	DESCRIPTION	QTY
1	20080-R	Latch Style Hanger Assy—90°, Rt.	1 ea.		20085-L	Latch Style Hanger Tube—75°, Lt.	1 ea.
	20080-L	Latch Style Hanger Assy—90°, Lt.	1 ea.		20085	Latch Style Hanger Tubes —75°	1 pr.
	20080	Latch Style Hanger Assemblies	1 pr.	6	20091-R	Latching Assembly—90° - Rt.	1 ea.
2	20081-R	Hanger Assembly—75°, Rt.	1 ea.		20091-L	Latching Assembly—90° - Lt.	1 ea.
	20081-L	Hanger Assembly—75°, Lt.	1 ea.		20091	Latching Assemblies—90°	1 pr.
	20081	Hanger Assemblies—75°	1 pr.	7	20092-R	Latching Assembly—75°, Rt.	1 ea.
3	20082	Hanger Ext. Assembly—0.5—4.5" Long	1 pr.		20092-L	Latching Assembly—75°, Lt.	1 ea.
	20082-1	Hanger Ext. Assemblies—0.5—4.5" Long	1 ea.		20092	Latching Assemblies—75°	1 pr.
	20083	Hanger Ext. Assembly—2.5—6.5" Long	1 pr.	8	3012	Pivot Fitting—Latch Style	1 ea.
	20083-1	Hanger Ext. Assemblies—2.5—6.5" Long	1 ea.	9		Hanger Insert	1 ea.
4	20084-R	Latch Style Hanger Tube—90°, Rt	1 ea.	10	9000	1" Tube Plug	1 ea.
	20084-L	Latch Style Hanger Tube—90°, Lt	1 ea.	11	9041	Screw—10-32 x 5/8" Flat Head	1 ea.
	20084	Latch Style Hanger Tubes—90°	1 pr.	12	9035	Screw—1/4-20 x 1 1/2" Button Head	1 ea.
5	20085-R	Latch Style Hanger Tube—75°, Rt.	1 ea.				

HANGERS—Pop Up Serial numbers GZ-18649 & up

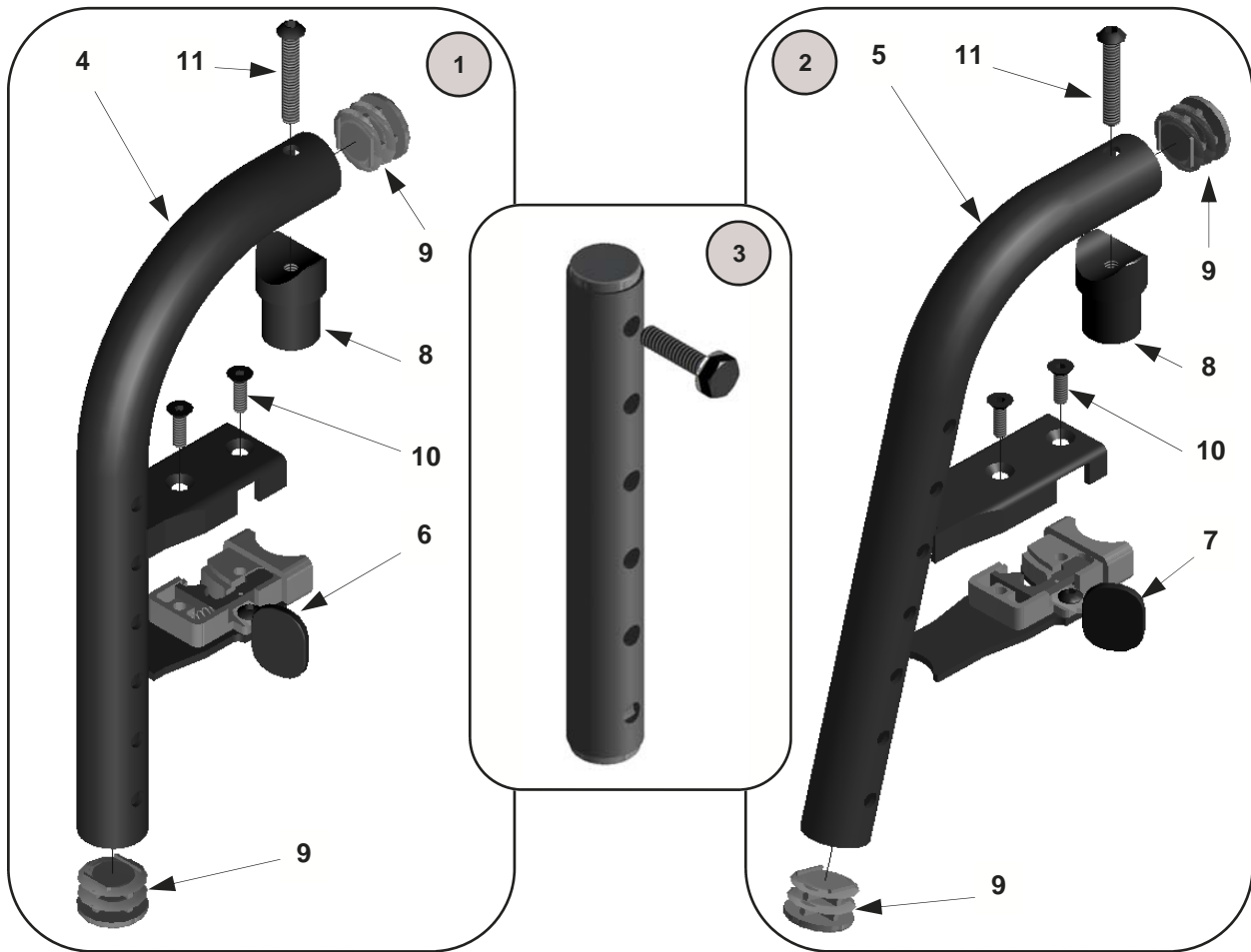


These hangers require footplate assemblies shown on pages 18 & 19.

No.	PART #	DESCRIPTION	QTY	No.	PART #	DESCRIPTION	QTY
1	20086-1	Pop Up Hanger Assembly—90°	1 ea.	4	20089-1	Pop Up Hanger Support Tube—90°	1 ea.
	20086	Pop Up Hanger Assemblies—90°	1 pr.	5	20088-1	Pop Up Hanger Support Tube—75°	1 ea.
2	20087-1	Pop Up Hanger Assembly—75°	1 ea.	6	3013	Pivot Fitting	1 ea.
	20087	Pop Up Hanger Assemblies—75°	1 pr.	7	1015	Alignment Guide	1 ea.
3	20082-1	Hanger Extension Assembly— 0.5—4.5" Long	1 ea.	8	1010	Locking Insert	1 ea.
	20082-2	Hanger Extension Assemblies— 0.5—4.5" Long	1 pr.	9	9000	1" Tube Plug	1 ea.
	20083-1	Hanger Extension Assembly— 2.5—6.5" Long	1 ea.	10	9036	Screw—1/4 x 1 3/4" Button Head	1 ea.
	20083-2	Hanger Extension Assemblies— 2.5—6.5" Long	1 pr.	11	9046	Screw—1/4 x 3/4" Flat Head	1 ea.

HANGERS—Latch Style (discontinued)

Through serial number GZ-18649

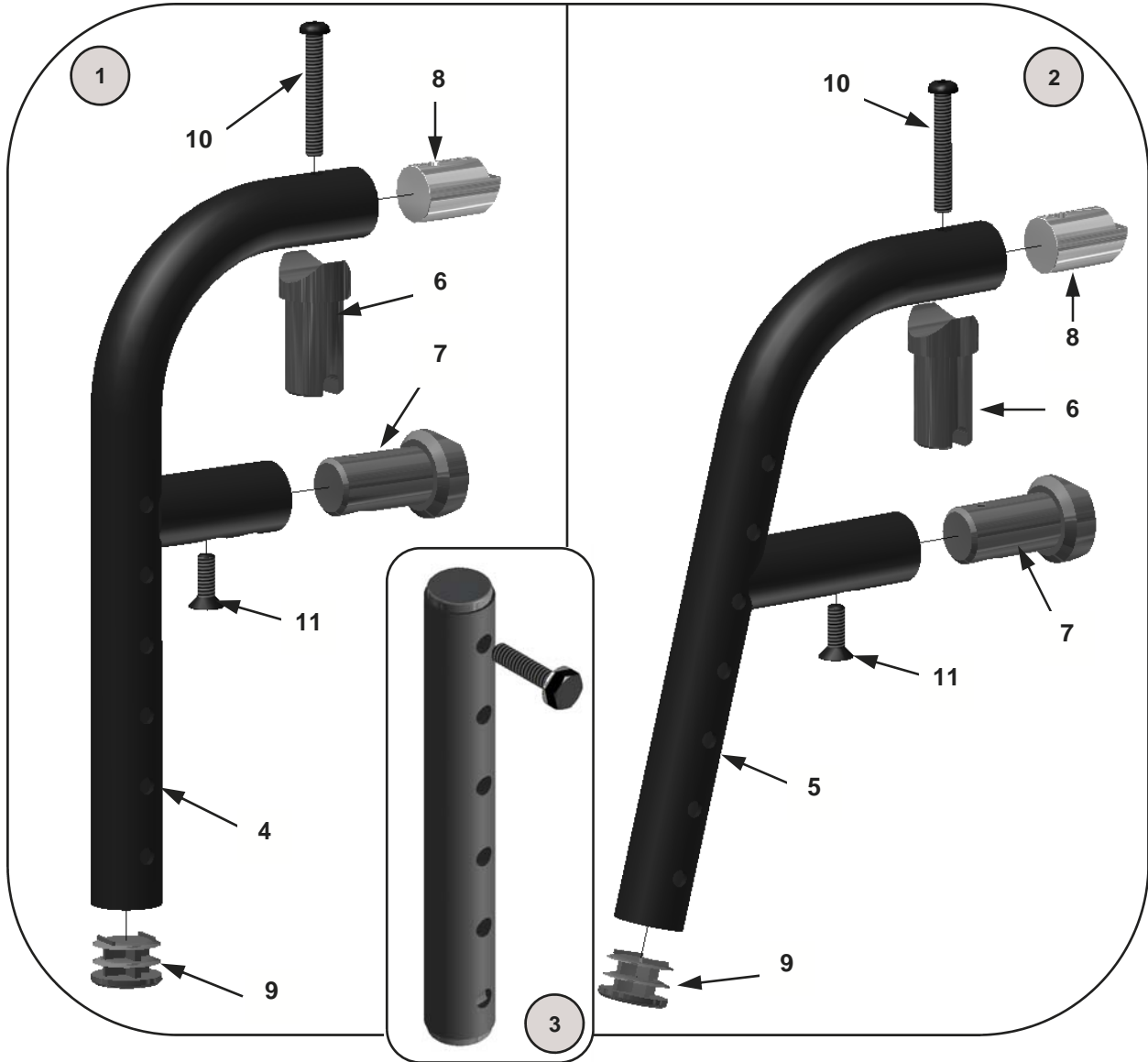


These hangers require footplate assemblies shown on pages 20 and 21.

No.	Part #	Description	Qty	No.	Part #	Description	Qty
1	14070-R	Latch Style Hanger Assy—90°, Rt.	1 ea.	5	14073-R	Latch Style Hanger Tube—75°, Rt.	1 ea.
	14070-L	Latch Style Hanger Assy—90°, Lt.	1 ea.		14073-L	Latch Style Hanger Tube—75°, Lt.	1 ea.
	14070	Latch Style Hanger Assemblies	1 pr.		14073	Latch Style Hanger Tubes —75°	1 pr.
2	14071-R	Hanger Assembly—75°, Rt.	1 ea.	6	14074-R	Latching Assembly—90° - Rt.	1 ea.
	14071-L	Hanger Assembly—75°, Lt.	1 ea.		14074-L	Latching Assembly—90° - Lt.	1 ea.
	14071	Hanger Assemblies—75°	1 pr.		14074	Latching Assemblies—90°	1 pr.
3	13026-1	Hanger Extension Assembly— 0.5—4.5" Long	1 ea.	7	14075-R	Latching Assembly—75°, Rt.	1 ea.
	13026-2	Hanger Extension Assemblies— 0.5—4.5" Long	1 pr.		14075-L	Latching Assembly—75°, Lt.	1 ea.
	13027-1	Hanger Extension Assembly— 2.5—6.5" Long	1 ea.		14075	Latching Assemblies—75°	1 pr.
	13027-2	Hanger Extension Assemblies— 2.5—6.5" Long	1 pr.	8	3012	Pivot Fitting—Latch Style	1 ea.
4	14072-R	Latch Style Hanger Tube—90°, Rt.	1 ea.	9	9000	1" Tube Plug	1 ea.
	14072-L	Latch Style Hanger Tube—90°, Lt.	1 ea.	10	9041	Screw—10-32 x 5/8" Flat Head	1 ea.
	14072	Latch Style Hanger Tubes—90°	1 pr.	11	9035	Screw—1/420 x 1 1/2" Button Head	1 ea.

HANGERS—Pop Up (discontinued)

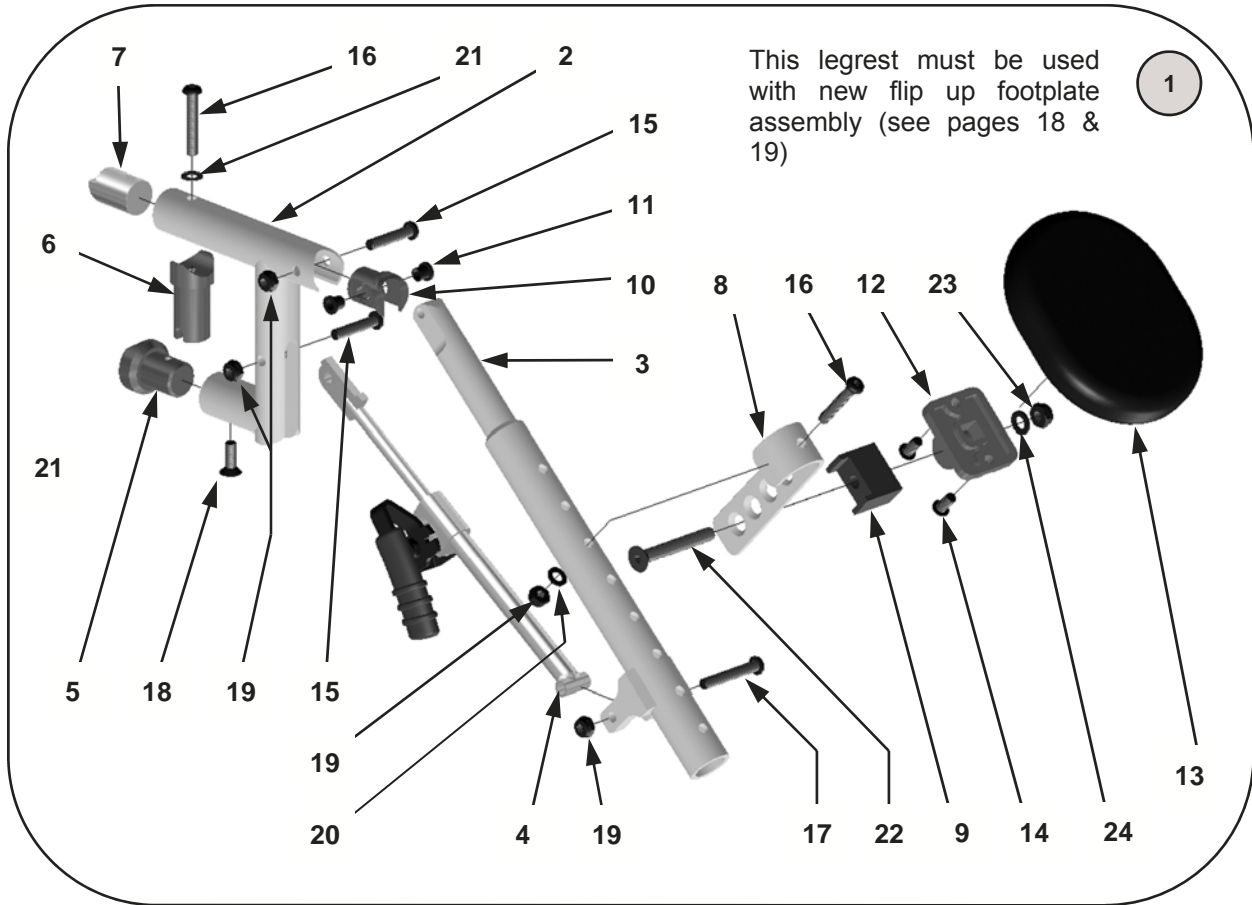
Through serial number GZ-18649



These hangers require footplate assemblies shown on pages 20 and 21.

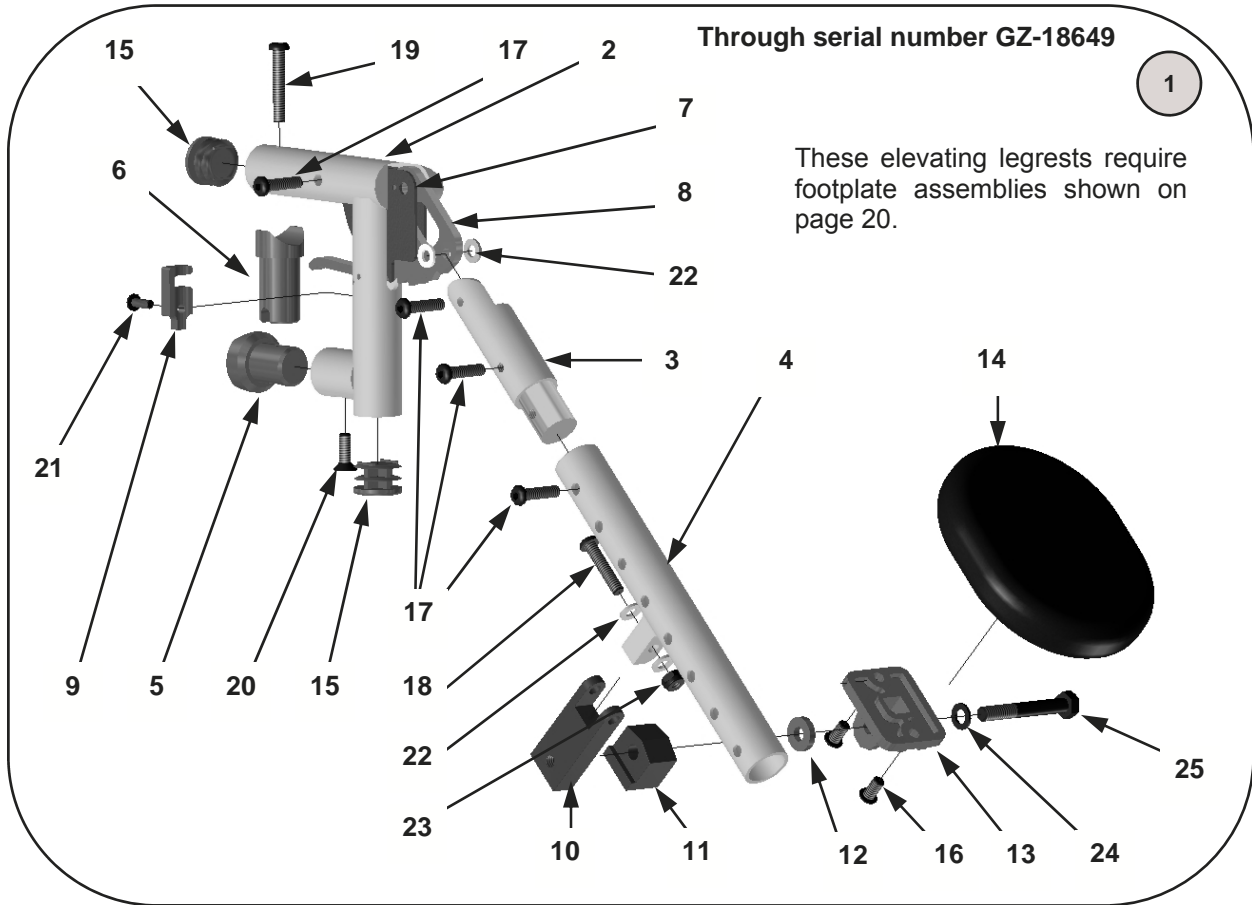
No.	PART #	DESCRIPTION	QTY	No.	PART #	DESCRIPTION	QTY
1	10101	Hanger Assembly—90°	1 ea.	5	1008	Hanger Support Tube—75°	1 ea.
2	10100	Hanger Assembly—75°	1 ea.	6	3013	Pivot Fitting	1 ea.
3	13026-1	Hanger Extension Assembly— 0.5—4.5" Long	1 ea.	7	1015	Alignment Guide	1 ea.
	13026-2	Hanger Extension Assemblies— 0.5—4.5" Long	1 pr.	8	1010	Locking Insert	1 ea.
	13027-1	Hanger Extension Assembly— 2.5—6.5" Long	1 ea.	9	9000	1" Tube Plug	1 ea.
	13027-2	Hanger Extension Assemblies— 2.5—6.5" Long	1 pr.	10	9036	Screw—1/4 x 1 3/4" Button Head	1 ea.
4	1007	Hanger Support Tube—90°	1 ea.	11	9046	Screw—1/4 x 3/4" Flat Head	1 ea.

HANGERS—Pop Up Elevating Legrest



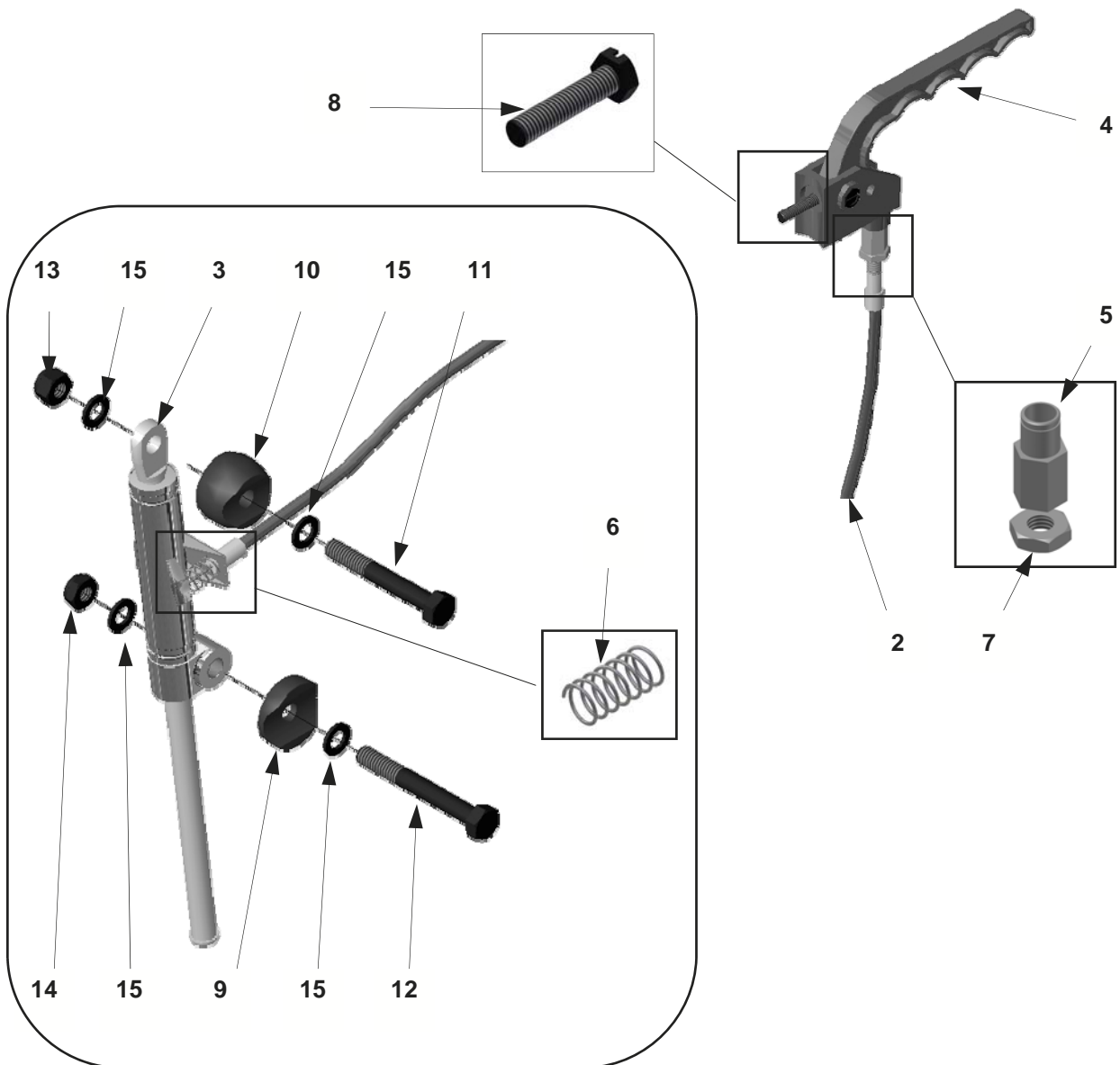
No.	PART #	DESCRIPTION	QTY	No.	PART #	DESCRIPTION	QTY
1	14180-L	ELR Assy w/o Pad & Footplate, Left	1 ea.	9	14191	Calf Pad Angle Stop	1 ea.
	14180-R	ELR Assy w/o Pad & Footplate, Right	1 ea.	10	14192	Pivot Insert	1 ea.
	14180	ELR Assy w/o Pads & Footplates, Pair	1 pr.	11	14193	Pivot Insert Bushing	1 ea.
	14181-L	ELR Assy w/ Pad , w/o Footplate, Left	1 ea.	12	14209	Calf Pad Mount Plate	1 ea.
	14181-R	ELR Assy w/ Pad , w/o Footplate, Right	1 ea.	13	14210-1	Calf Pad	1 ea.
	14181	ELR Assy w/ Pads, w/o Footplates, Pair	1 pr.		14210	Calf Pad	1 pr.
	14182-L	ELR Assy w/ Pad & Footplate, Left	1 ea.	14	9036	Screw—1/4-20 X 3/4" Button Head	1 ea.
	14182-R	ELR Assy w/ Pad & Footplate, Right	1 ea.	15	9034	Screw—1/4-20 X 1 1/4" Button Head	1 ea.
	14182	ELR Assy w/ Pads & Footplates, Pair	1 pr.	16	9035	Screw—1/4-20 X 1 1/2" Button Head	1 ea.
2	14211-1	Hanger Weldment, Pop Up	1 ea.	17	10003	Screw—1/4-20 X 1 5/8" Button Head	1 ea.
	14211-1	Hanger Weldment, Pop Up	1 pr.	18	9046	Screw—1/4 x 3/4" Flat Head	1 ea.
3	14173	Length Adjustment Tube	1 ea.	19	9073	Locknut—1/4-20, Thin	1 ea.
4	14190-R	Locking Mechanism—Right	1 ea.	20	9074	Washer—1/4" Flat	1 ea.
	14190-L	Locking Mechanism—Left	1 ea.	21	9075	Washer—1/4" Flat, Thin	1 ea.
5	1015	Alignment Guide	1 ea.	22	9103	Screw—5/16-18 X 2 1/4" Flat Head	1 ea.
6	3013	Pivot Fitting—Pop Up Style	1 ea.	23	9088	Locknut—5/16-18, Thin	1 ea.
7	1010	Locking Insert	1 ea.	24	9090	Washer—5/16 Flat	1 ea.
8	14194	Pad Mount Hook	1 ea.				

HANGERS—Pop Up Elevating Legrest (discontinued)



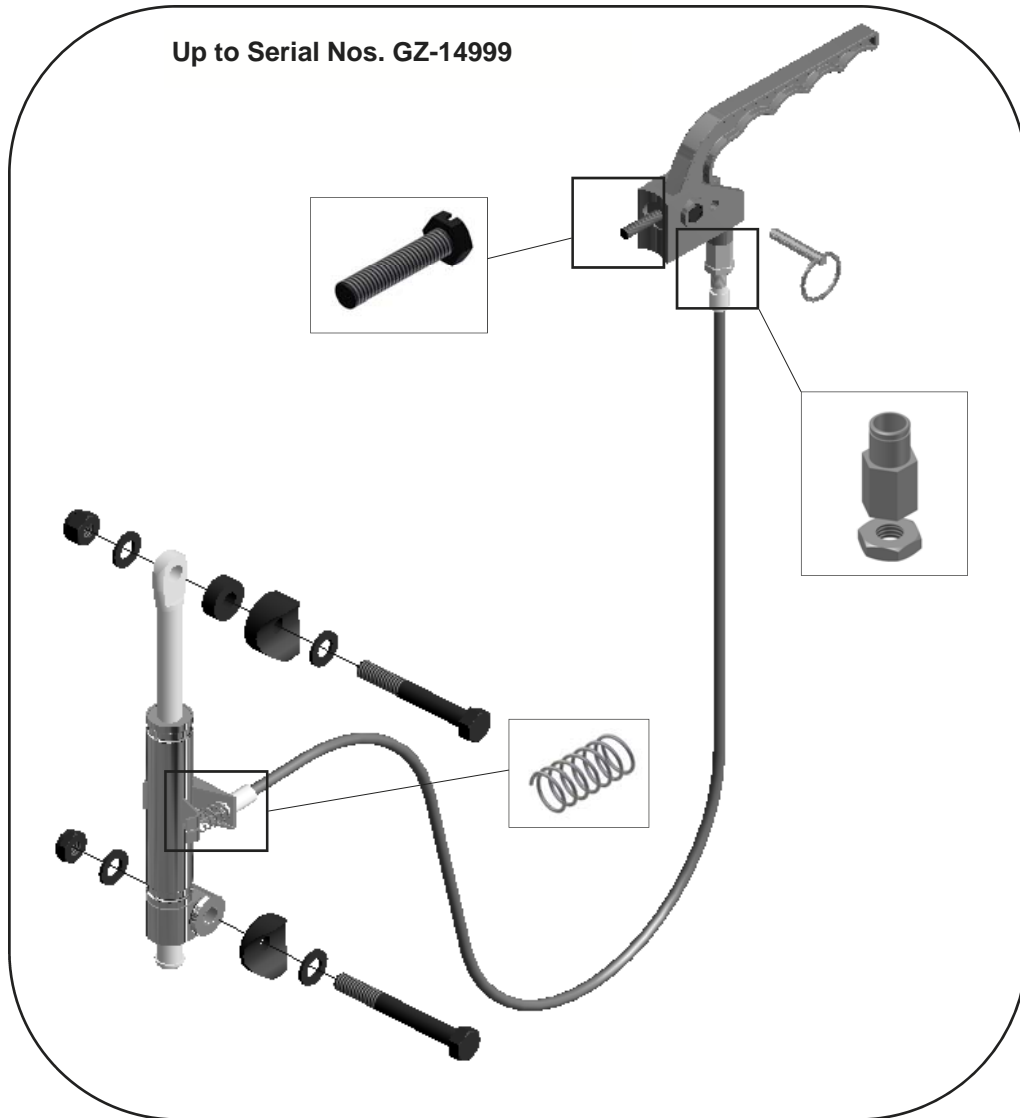
No.	PART #	DESCRIPTION	QTY	No.	PART #	DESCRIPTION	QTY
1	10104-L	ELR Assy w/o Pad & Footplate, Left	1 ea.	9	14205	Angle Lock Lever	1 ea.
	10104-R	ELR Assy w/o Pad & Footplate, Right	1 ea.	10	14206	Calf Pad Flip Hinge	1 ea.
	10104	ELR Assy w/o Pads & Footplates, Pair	1 pr.	11	14207	Calf Pad Angle Stop	1 ea.
	10106-L	ELR Assy w/ Pad , w/o Footplate, Left	1 ea.	12	14208	Spacer Bushing	1 ea.
	10106-R	ELR Assy w/ Pad , w/o Footplate, Right	1 ea.	13	14209	Calf Pad Mount Plate	1 ea.
	10106	ELR Assy w/ Pads, w/o Footplates, Pair	1 pr.	14	14210-1	Calf Pad	1 ea.
	10108-L	ELR Assy w/ Pad & Footplate, Left	1 ea.		14210	Calf Pads	1 pr.
	10108-R	ELR Assy w/ Pad & Footplate, Right	1 ea.	15	9000	Tube Plug—1"	1 ea.
	10108	ELR Assy w/ Pads & Footplates, Pair	1 pr.	16	9036	Screw—1/4-20 X 3/4" Button Head	1 ea.
2	14199-R	Hanger Weldment, Pop Up—Right	1 ea.	17	9033	Screw—1/4-20 X 1" Button Head	1 ea.
	14199-L	Hanger Weldment, Pop Up—Left	1 ea.	18	9034	Screw—1/4-20 X 1 1/4" Button Head	1 ea.
3	14201	Elevating Hinge	1 ea.	19	9035	Screw—1/4-20 X 1 1/2" Button Head	1 ea.
4	14202-R	Length Adjustment Tube—Right	1 ea.	20	9041	Screw—10-32 x 5/8" Flat Head	1 ea.
	14202-L	Length Adjustment Tube—Left	1 ea.	21	9057	Screw—10-32 X 3/4" Button Head	1 ea.
5	1015	Alignment Guide	1 ea.	22	9072	Washer—1/4" Nylon	1 ea.
6	3013	Pivot Fitting—Pop Up Style	1 ea.	23	9073	Locknut—1/4-20, Thin	1 ea.
7	14203	Ratchet Guard	1 ea.	24	9090	Washer—5/16 Flat	1 ea.
8	14204	Ratchet Gear	1 ea.	25	9081	Screw—5/16-18 X 2 1/4" Hex Head	1 ea.

TILT MECHANISM—From Serial No. GZ-15000



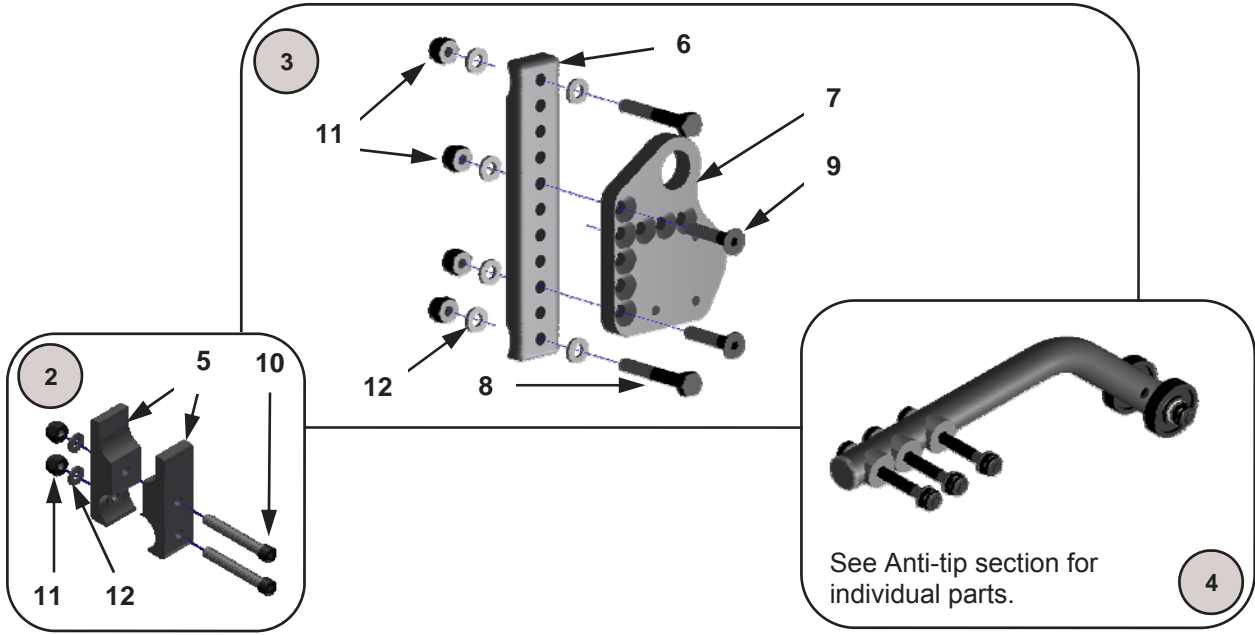
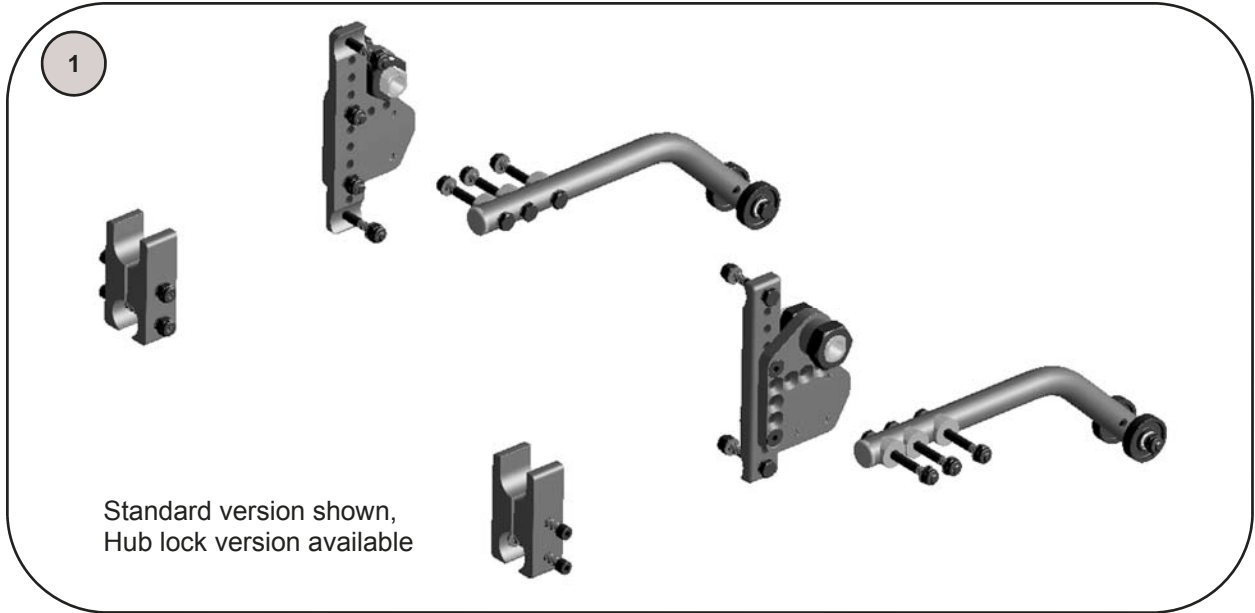
No.	PART #	DESCRIPTION	QTY	No.	PART #	DESCRIPTION	QTY
1	12017-R	Tilt Assy—Short Cable, Handle, Mech, Rt.	1 ea.	5	12007	Brass Collar	1 ea.
	12017-L	Tilt Assy—Short Cable, Handle, Mech, Lt.	1 ea.	6	12008	Tilt Spring	1 ea.
	12017	Tilt Assemblies—Sht Cable, Handle, Mech	1 pr.	7	12009	Tilt Nut	1 ea.
	12018-R	Tilt Assy—Long Cable, Handle, Mech, Rt.	1 ea.	8	12010	Handle Mount Screw	1 ea.
	12018-L	Tilt Assy—Long Cable, Handle, Mech, Lt.	1 ea.	9	8997	Rubber Bushing—Thin	1 ea.
	12018	Tilt Assemblies—Long Cable, Handle, Mech	1 pr.	10	8998	Rubber Bushing—Thick	1 ea.
2	12001-S	Tilt Cable—Short	1 ea.	11	9081	Screw—5/16 x 2 1/4" Hex Head	1 ea.
	120001-L	Tilt Cable—Long	1 ea.	12	9082	Screw—5/16 x 2 1/2" Hex Head	1 ea.
3	12016-R	Tilt Mechanism—Right	1 ea.	13	9087	Locknut—5/16-18 Nylon	1 ea.
	12016-L	Tilt Mechanism—Left	1 ea.	14	9088	Locknut—5/16-18 Thin Nylon	1 ea.
	12016	Tilt Mechanisms	1 pr.	15	9090	Washer—5/16" Flat	1 ea.
4	12006	Composite Tilt Handle	1 ea.				

TILT MECHANISM—(discontinued)



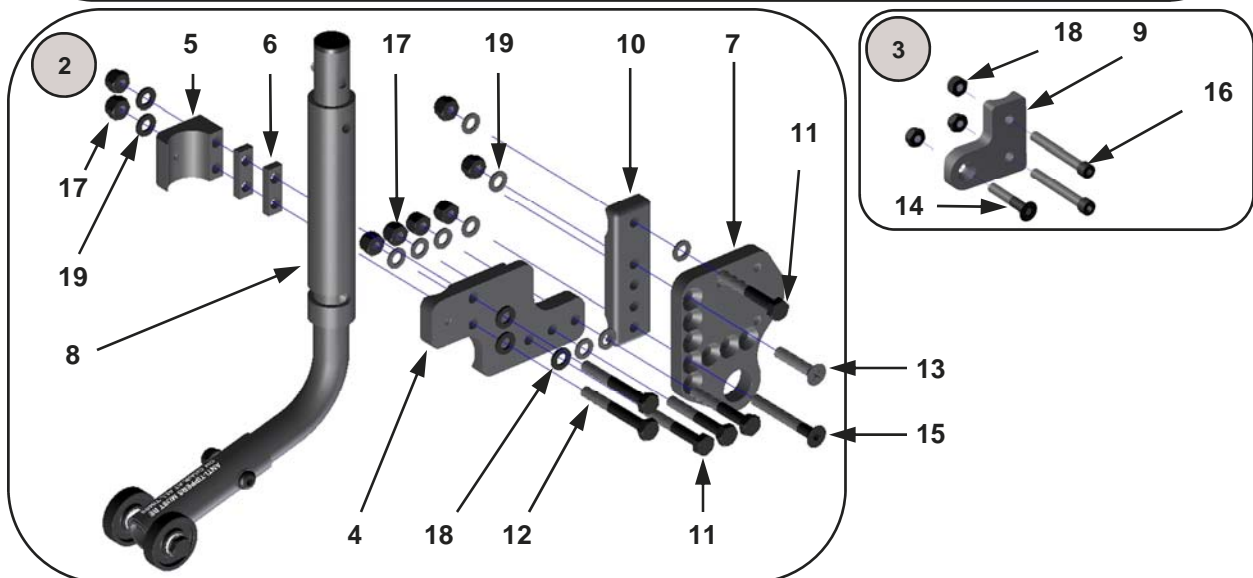
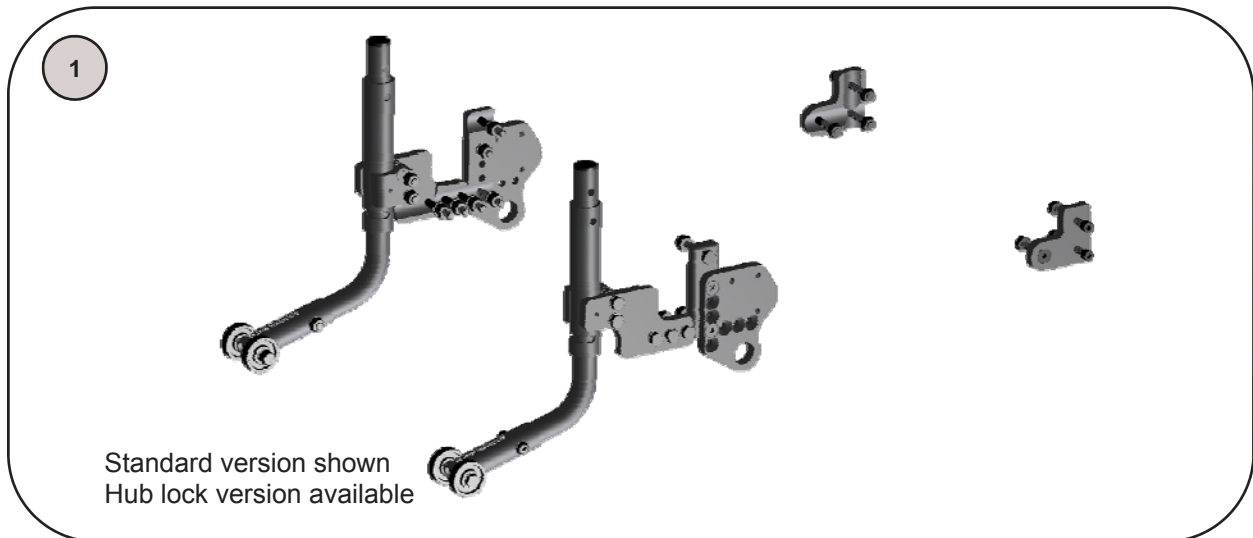
For replacement parts for this tilt mechanism, please refer to page 35 of this manual.

REVERSE CONFIGURATION—Rear Wheel to Front Wheel



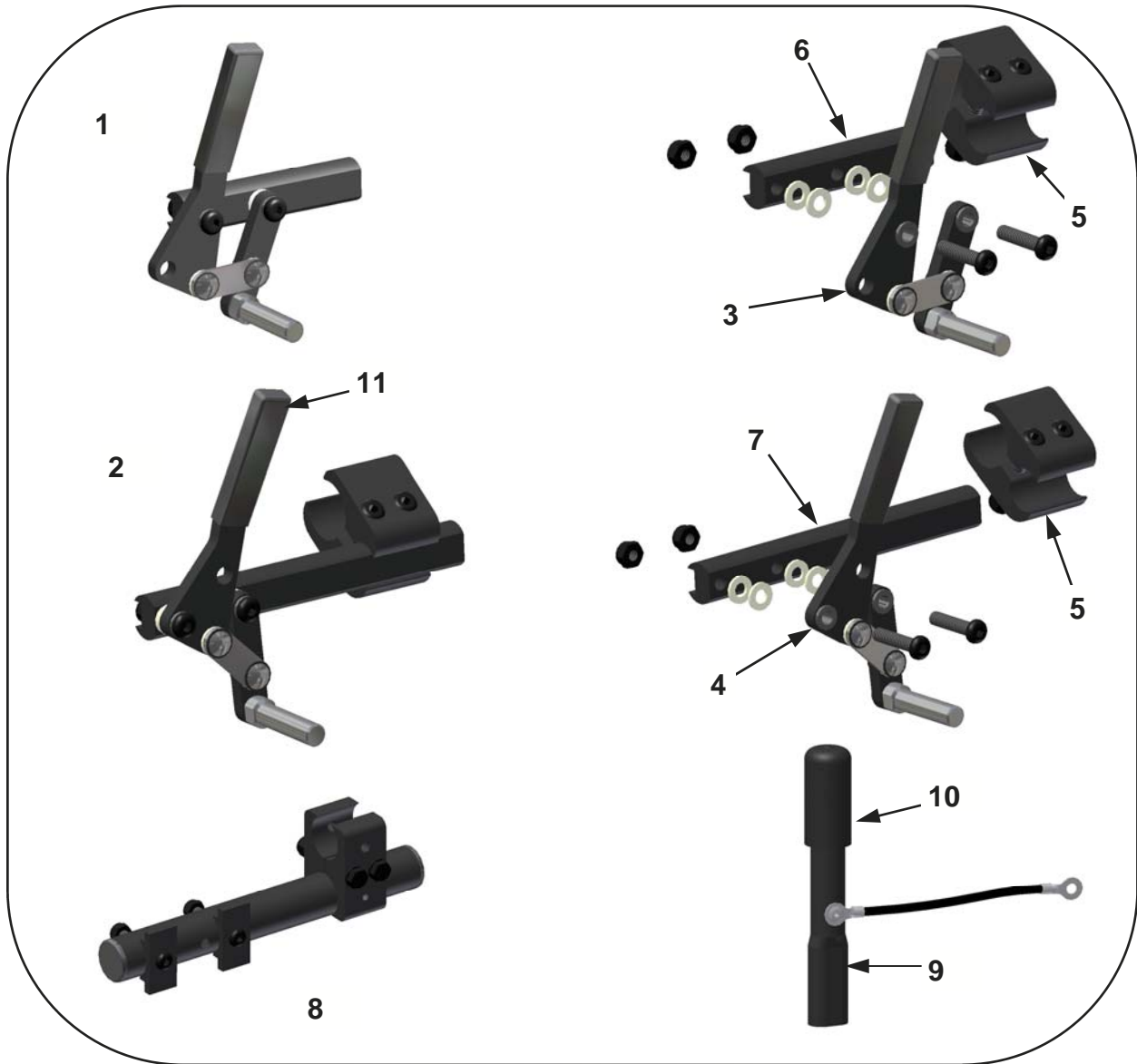
No.	PART #	DESCRIPTION	QTY	No.	PART #	DESCRIPTION	QTY
1	11110	Reverse Configuration Kit—Std	1 kit	7	4004-R	Axle Adapter Plate—Hub Lock—Rt.	1 ea.
	11110-HL	Reverse Config. Kit—Hub Lock	1 kit		4004-L	Axle Adapter Plate—Hub Lock—Lt.	1 ea.
2	21011	Caster Receiver Clamp Assemblies	1 pr.	8	9022	Screw—1/4 x 1 3/4" Hex Head	1 ea.
3	21010	Axle Plate Assemblies	1 pr.	9	9048	Screw—1/4 x 1 1/4" Flat Head	1 ea.
4	10071	Anti-tip Fixed Assemblies	1 pr.	10	9065	Screw—1/4 x 2" Socket Head	1 ea.
5	21012	Caster Receiver Clamps	1 pr.	11	9072	Locknut—1/4" Nylon	1 ea.
6	4005	Axle Plates	1 pr.	12	9074	Washer—1/4" Flat	1 ea.

STANDARD CONFIGURATION—Front Wheel Drive to Rear Wheel



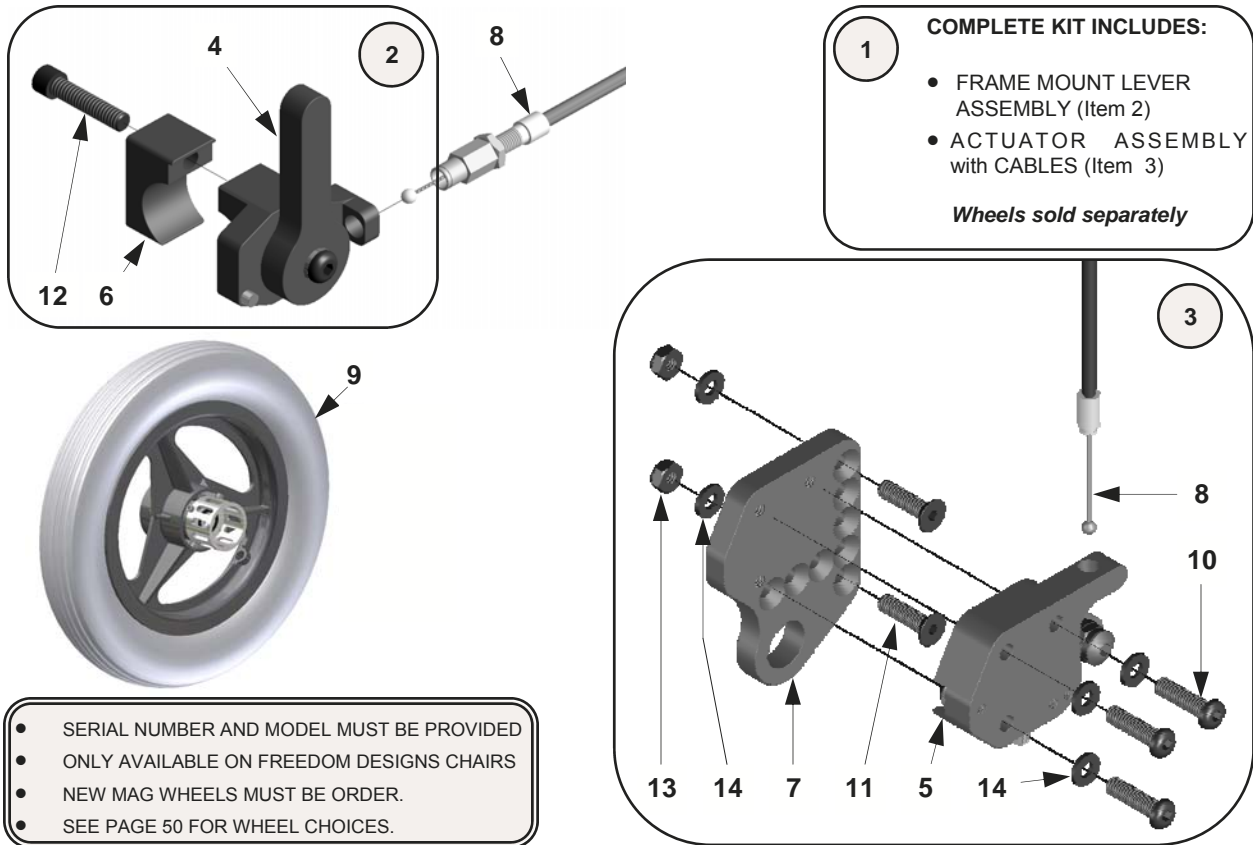
No.	PART #	DESCRIPTION	QTY	No.	PART #	DESCRIPTION	QTY
1	11111	Front Wheel to Rear Wheel Kit	1 kit	10	4002	Axle Plate—12, 16 & 18" Wheels	1 ea.
2	21012	Swing Away Anti-tip/Axle Plate Assy	1 pr.		4003	Axle Plate—20, 22 & 24" Wheels	1 ea.
3	21014	Caster Plate Assemblies	1 pr.	11	9022	Screw—1/4 x 1 3/4" Hex Head	1 ea.
4	8005	S. Away Anti-tip / Axle Mount Plates	1 pr.	12	9023	Screw—1/4 x 2" Hex Head	1 ea.
	8005-R	S. A. Anti-tip / Axle Mount Plate—Rt	1 ea.	13	9048	Screw—1/4 x 1 1/4" Flat Head	1 ea.
	8005-L	S. A. Anti-tip / Axle Mount Plate—Lt	1 ea.	14	9049	Screw—1/4 x 1 1/2" Flat Head	1 ea.
5	8003	Clamp—Anti-tip, Outer	1 ea.	15	9051	Screw—1/4 x 2" Flat Head	1 ea.
6	8004	Clamp Spacer	1 ea.	16	9065	Screw—1/4 x 2" Socket Head	1 ea.
7	4004-R	Adapter Plate, Hub Lock—Right	1 ea.	17	9072	Locknut—1/4" Nylon	1 ea.
	4004-L	Adapter Plate, Hub Lock—Left	1 ea.	18	9073	Locknut—1/4" Thin Nylon	1 ea.
8	10073-R	Anti-tip Lever Assembly—Right	1 ea.	19	9074	Washer—1/4" Flat	1 ea.
	10073-L	Anti-tip Lever Assembly—Left	1 ea.				
9	13041-R	Caster Adapter Plate—Right	1 ea.				
	13041-L	Caster Adapter Plate—Left	1 ea.				

WHEEL LOCKS—Lever Style & Accessories



No.	PART #	DESCRIPTION	QTY	No.	PART #	DESCRIPTION	QTY
1	5004	Push to Lock Wheel Lock—Right (no clamp)	1 ea.	4	5025-R	Pull to Lock Lever Assembly—Right	1 ea.
	5005	Push to Lock Wheel Lock—Left (no clamp)	1 ea.		5025-L	Pull to Lock Lever Assembly—Left	1 ea.
	10060-R	Push to Lock Wheel Lock / Clamp—Right	1 ea.		5025	Pull to Lock Lever Assemblies	1 pr.
	10060-L	Push to Lock Wheel Lock / Clamp—Left	1 ea.	5	5015	Wheel Lock Mounting Clamp	1 ea.
	10060	Push to Lock Wheel Locks	1 pr.	6	5018	Wheel Lock Swivel Arm—Short (4")	1 ea.
2	5006	Pull to Lock Wheel Lock—Right (no clamp)	1 ea.	7	5019	Wheel Lock Swivel Arm—Long (6")	1 ea.
	5007	Pull to Lock Wheel Lock—Left (no clamp)	1 ea.	8	10065-R	Wheel Lock Mounting Tube Kit—Right	1 ea.
	10061-L	Pull to Lock Wheel Lock / Clamp—Right	1 ea.		10065-L	Wheel Lock Mounting Tube Kit—Left	1 ea.
	10061-R	Pull to Lock Wheel Lock / Clamp—Left	1 ea.		10065	Wheel Lock Mounting Tube Kits	1 pr.
	10061	Pull to Lock Wheel Locks / Clamps	1 pr.	9	10064	Lock Extensions	1 pr.
3	5024-R	Push to Lock Lever Assembly—Right	1 ea.	10	5016B	Cap for Wheel Lock Extension	1 ea.
	5024-L	Push to Lock Lever Assembly—Left	1 ea.	11	5016C	Plastic Cap for Wheel Lock Handle	1 ea.
	5024	Push to Lock Lever Assemblies	1 pr.				

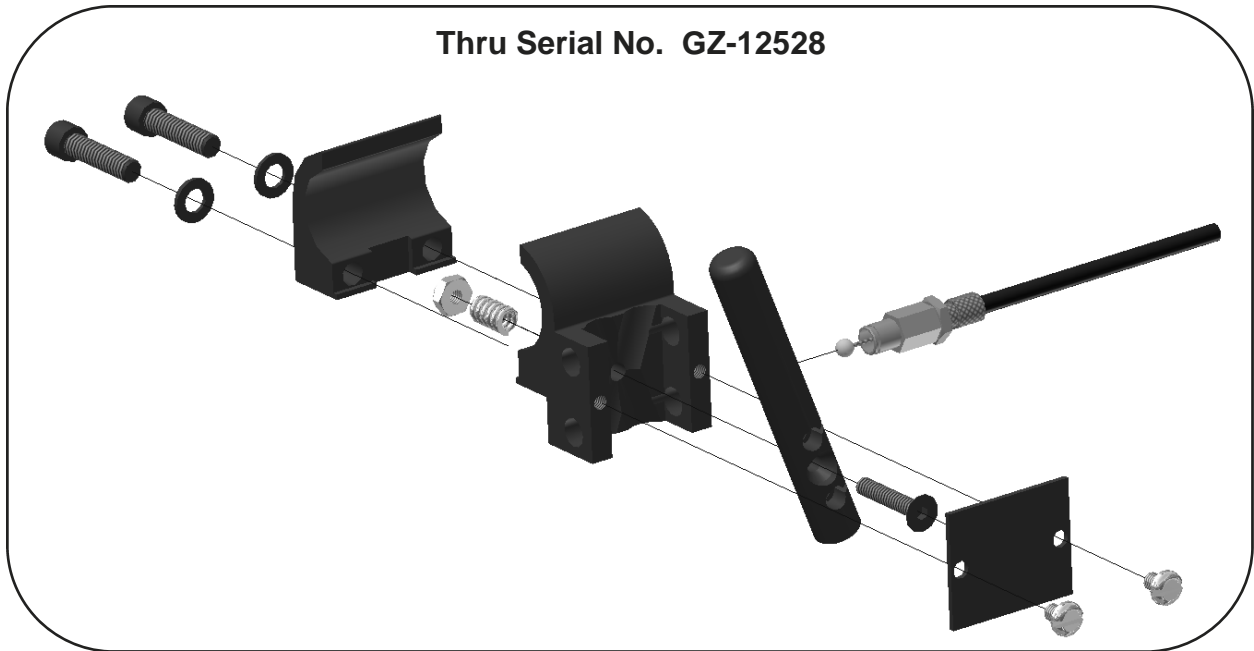
HUB LOCK—From Serial No. GZ-12529



No.	PART #	DESCRIPTION	QTY	No.	PART #	DESCRIPTION	QTY
1	13091	Hub Lock Assy Complete—Sht Cables	1 pr.	5	13080-R	Actuator Assembly—Right	1 ea.
	13093	Hub Lock Assy Complete—Lg Cables	1 pr.		13080-L	Actuator Assembly—Left	1 ea.
	13091-R	Hub Lock Assy Complete—Sht Cable, Rt	1 ea.		13080	Hub Lock Actuator Assemblies	1 pr.
	13091-L	Hub Lock Assy Complete—Sht Cable, Lt	1 ea.	6	13082-1	Inner Clamp	1 ea.
	13093-R	Hub Lock Assy Complete—Lg Cable, Rt	1 ea.	7	4004-R	Adapter Plate—Right	1 ea.
	13093-L	Hub Lock Assy Complete—Lg Cable, Lt	1 ea.		4004-L	Adapter Plate—Left	1 ea.
2	13087-R	Lever/Clamp Assembly—Right	1 ea.		4004	Adapter Plates	1 pr.
	13087-L	Lever/Clamp Assembly—Left	1 ea.	8	13084-1	Cable—Short	1 ea.
	13087	Lever/Clamp Assemblies	1 pr.		13084	Cables—Short	1 pr.
3	13088-R	Hub Lock Actuator—Rt, w/Sht Cable	1 ea.		13086-1	Cable—Long	1 ea.
	13088-L	Hub Lock Actuator—Lt, w/Sht Cable	1 ea.		13086	Cables—Long	1 pr.
	13088	Hub Lock Actuators, w/Sht Cable	1 pr.	9	See Notes	Wheel Assembly	1 ea.
	13090-R	Hub Lock Actuator—Rt, w/Lg Cable	1 ea.	10	9033	Screw—1/4 x 1" Button Head	1 ea.
	13090-L	Hub Lock Actuator—Lt, w/Lg Cable	1 ea.	11	9047	Screw—1/4 x 1" Flat Head	1 ea.
	13090	Hub Lock Actuators, w/Lg Cable	1 pr.	12	9061	Screw—1/4 x 1" Socket Head	1 ea.
4	13081-R	Lever—Right, w/o Cable	1 ea.	13	9073	Locknut—1/4" Nylon Thin	1 ea.
	13081-L	Lever—Left, w/o Cable	1 ea.	14	9074	Washer—1/4" Flat	1 ea.
	13081	Levers, w/o Cables	1 pr.				

HUB LOCK —(discontinued)

Thru Serial No. GZ-12528



Please contact Customer Service for all Hub Lock replacement parts for wheelchairs with serial numbers up to and including **GZ-12528**

Please provide frame serial number

WHEELS—Assemblies



12" Poly



12" Pneumatic



16" Pneumatic



18" Pneumatic



Mag Wheel
20", 22", 24"



Spoke Wheel
20", 22", 24"

Mag Wheel with Tire & Tube

PART #	DESCRIPTION	QTY	PART #	DESCRIPTION	QTY
10022-1	12" Mag Wheel With Tire & Tube	1 ea.	10026-1	20" Mag Wheel With Tire & Tube	1 ea.
10023-1	12" Polyurethane Wheel	1 ea.	10027-1	22" Mag Wheel With Tire & Tube	1 ea.
10024-1	16" Mag Wheel With Tire & Tube	1 ea.	10028-1	24" Mag Wheel With Tire & Tube	1 ea.
10025-1	18" Mag Wheel With Tire & Tube	1 ea.			

Mag Wheel with Tire & Insert

PART #	DESCRIPTION	QTY	PART #	DESCRIPTION	QTY
10000-1	12" Mag Wheel With Tire and Insert	1 ea.	10003-1	20" Mag Wheel With Tire and Insert	1 ea.
10001-1	16" Mag Wheel With Tire and Insert	1 ea.	10004-1	22" Mag Wheel With Tire and Insert	1 ea.
10002-1	18" Mag Wheel With Tire and Insert	1 ea.	10005-1	24" Mag Wheel With Tire and Insert	1 ea.

Mag Wheel with Tire, Tube & Handrim

PART #	DESCRIPTION	QTY	PART #	DESCRIPTION	QTY
10033-1	16" Mag Wheel / Tire , Tube & Handrim	1 ea.	10032-1	24" Mag Wheel / Tire , Tube & Handrim	1 ea.
10029-1	18" Mag Wheel / Tire , Tube & Handrim	1 ea.	12030-1	20" Mag Wheel / Tire, Tube & Plastic Handrim	1 ea.
10030-1	20" Mag Wheel / Tire , Tube & Handrim	1 ea.	12031-1	22" Mag Wheel / Tire, Tube & Plastic Handrim	1 ea.
10031-1	22" Mag Wheel / Tire , Tube & Handrim	1 ea.	12032-1	24" Mag Wheel / Tire, Tube & Plastic Handrim	1 ea.

Mag Wheel with Tire, Insert & Handrim

PART #	DESCRIPTION	QTY	PART #	DESCRIPTION	QTY
10034-1	16" Mag Wheel with Tire, Insert & Handrim	1 ea.	10009-1	24" Mag Wheel with Tire, Insert & Handrim	1 ea.
10006-1	18" Mag Wheel with Tire, Insert & Handrim	1 ea.	12007-1	20" Mag Wheel / Tire, Insert & Plastic Handrim	1 ea.
10007-1	20" Mag Wheel with Tire, Insert & Handrim	1 ea.	12008-1	22" Mag Wheel / Tire, Insert & Plastic Handrim	1 ea.
10008-1	22" Mag Wheel with Tire, Insert & Handrim	1 ea.	12009-1	24" Mag Wheel / Tire, Insert & Plastic Handrim	1 ea.

Spoke Wheel with Tire & Tube

PART #	DESCRIPTION	QTY
10016-1	20" Spoke Wheel with Tire & Tube	1 ea.
10017-1	22" Spoke Wheel with Tire & Tube	1 ea.
10018-1	24" Spoke Wheel with Tire & Tube	1 ea.

Spoke Wheel with Tire & Insert

PART #	DESCRIPTION	QTY
10013-1	20" Spoke Wheel with Tire & Insert	1 ea.
10014-1	22" Spoke Wheel with Tire & Insert	1 ea.
10015-1	24" Spoke Wheel with Tire & Insert	1 ea.

Spoke Wheel / Tire, Insert, Tube & Handrim

PART #	DESCRIPTION	QTY
10019-1	20" Spoke with Tire, Tube & Handrim	1 ea.
10020-1	22" Spoke with Tire, Tube & Handrim	1 ea.
10021-1	24" Spoke with Tire, Tube & Handrim	1 ea.

Spoke Wheel / Tire, Insert & Handrim

PART #	DESCRIPTION	QTY
10010-1	20" Spoke with Tire, Insert & Handrim	1 ea.
10011-1	22" Spoke with Tire, Insert & Handrim	1 ea.
10012-1	24" Spoke with Tire, Insert & Handrim	1 ea.

WHEELS—Hub Lock Assemblies

Mag Wheel with Tire, Tube & Hub Lock Adapter

PART #	DESCRIPTION	QTY	PART #	DESCRIPTION	QTY
13210	12" Mag Wheels, Tires, Tubes, & Hub Locks	1 pr.	13214	20" Mag Wheels, Tires, Tubes, & Hub Locks	1 pr.
13211	12" Polyurethane Wheels with Hub Locks	1 pr.	13215	22" Mag Wheels, Tires, Tubes, & Hub Locks	1 pr.
13212	16" Mag Wheels, Tires, Tubes, & Hub Locks	1 pr.	13216	24" Mag Wheels, Tires, Tubes, & Hub Locks	1 pr.
13213	18" Mag Wheels, Tires, Tubes, & Hub Locks	1 pr.			

Mag Wheel with Tire, Insert & Hub Lock Adapter

PART #	DESCRIPTION	QTY	PART #	DESCRIPTION	QTY
13217	12" Mag Wheels, Tires, Inserts, & Hub Locks	1 pr.	13220	20" Mag Wheels, Tires, Inserts, & Hub Locks	1 pr.
13218	16" Mag Wheels, Tires, Inserts, & Hub Locks	1 pr.	13221	22" Mag Wheels, Tires, Inserts, & Hub Locks	1 pr.
13219	18" Mag Wheels, Tires, Inserts, & Hub Locks	1 pr.	13222	24" Mag Wheels, Tires, Inserts, & Hub Locks	1 pr.

Mag Wheel with Tire, Tube, Handrim & Hub Lock Adapter

PART #	DESCRIPTION	QTY	PART #	DESCRIPTION	QTY
13223	16" Mag Wheels, Tires, Tubes, Handrims, & Hub Locks	1 pr.	13227	24" Mag Wheels, Tires, Tubes, Handrims, & Hub Locks	1 pr.
13224	18" Mag Wheels, Tires, Tubes, Handrims, & Hub Locks	1 pr.	13228	20" Mag Wheels, Tires, Tubes, Plastic Handrims, & Hub Locks	1 pr.
13225	20" Mag Wheels, Tires, Tubes, Handrims, & Hub Locks	1 pr.	13229	22" Mag Wheels, Tires, Tubes, Plastic Handrims, & Hub Locks	1 pr.
13226	22" Mag Wheels, Tires, Tubes, Handrims, & Hub Locks	1 pr.	13230	24" Mag Wheels, Tires, Tubes, Plastic Handrims, & Hub Locks	1 pr.

Mag Wheel with Tire, Insert, Handrim & Hub Lock Adapter

PART #	DESCRIPTION	QTY	PART #	DESCRIPTION	QTY
13231	16" Mag Wheels, Tires, Inserts, Handrims, & Hub Locks	1 pr.	13235	24" Mag Wheels, Tires, Inserts, Handrims, & Hub Locks	1 pr.
13232	18" Mag Wheels, Tires, Inserts, Handrims, & Hub Locks	1 pr.	13236	20" Mag Wheels, Tires, Inserts, Plastic Handrims, & Hub Locks	1 pr.
13233	20" Mag Wheels, Tires, Inserts, Handrims, & Hub Locks	1 pr.	13237	20" Mag Wheels, Tires, Inserts, Plastic Handrims, & Hub Locks	1 pr.
13234	22" Mag Wheels, Tires, Inserts, Handrims, & Hub Locks	1 pr.	13238	20" Mag Wheels, Tires, Inserts, Plastic Handrims, & Hub Locks	1 pr.

WHEEL—Wheel Options

Wheels Only

PART #	DESCRIPTION	QTY	PART #	DESCRIPTION	QTY
4020	12" Mag Wheel with Bearings	1 ea.	4024	22" Mag Wheel with Bearings	1 ea.
4021	16" Mag Wheel with Bearings	1 ea.	4024a	22" Spoke Wheel with Bearings	1 ea.
4022	18" Mag Wheel with Bearings	1 ea.	4025	24" Mag Wheel with Bearings	1 ea.
4023	20" Mag Wheel with Bearings	1 ea.	4025a	24" Spoke Wheel with Bearings	1 ea.
4023a	20" Spoke Wheel with Bearings	1 ea.			

Tires

PART #	DESCRIPTION	QTY	PART #	DESCRIPTION	QTY
4028	12 1/2" x 2 1/4" Poly Tire	1 ea.	4033	20" x 1 3/8" Pneumatic Tire	1 ea.
4029	12 1/2" x 2 1/4" Pneumatic Tire	1 ea.	4034	22" x 1 3/8" Pneumatic Tire	1 ea.
4031	16" x 1 3/4" Pneumatic Tire	1 ea.	4035	24" x 1 3/8" Pneumatic Tire	1 ea.
4032	18" x 1 3/4" Pneumatic Tire	1 ea.			

Inner Tubes

PART #	DESCRIPTION	QTY	PART #	DESCRIPTION	QTY
4036	12 1/2" x 2 1/4" Inner Tube	1 ea.	4039	20" x 1 3/8" Inner Tube	1 ea.
4037	16" x 1 3/4" Inner Tube	1 ea.	4040	22" x 1 3/8" Inner Tube	1 ea.
4038	18" x 1 3/4" Inner Tube	1 ea.	4041	24" x 1 3/8" Inner Tube	1 ea.

Solid Inserts

PART #	DESCRIPTION	QTY	PART #	DESCRIPTION	QTY
4042	12 1/2" x 2 1/4" Solid Insert	1 ea.	4045	20" x 1 3/8" Solid Insert	1 ea.
4043	16" x 1 3/4" Solid Insert	1 ea.	4046	22" x 1 3/8" Solid Insert	1 ea.
4044	18" x 1 3/4" Solid Insert	1 ea.	4047	24" x 1 3/8" Solid Insert	1 ea.

Wheel Components

PART #	DESCRIPTION	QTY	PART #	DESCRIPTION	QTY
2009	1 1/8" x 1/2" Bearing	1 ea.	4058	Handrim Spacer	1 ea.
4000	Hub Cap	1 ea.			

Handrims

PART #	DESCRIPTION	QTY	PART #	DESCRIPTION	QTY
4048	20" Aluminum Handrim	1 ea.	4057	18" Aluminum Handrim	1 ea.
4049	22" Aluminum Handrim	1 ea.	4053	20" Plastic Coated Handrim	1 ea.
4050	24" Aluminum Handrim	1 ea.	4054	22" Plastic Coated Handrim	1 ea.
4056	16" Aluminum Handrim	1 ea.	4055	24" Plastic Coated Handrim	1 ea.

Spoke Guards

PART #	DESCRIPTION	QTY	PART #	DESCRIPTION	QTY
4090	20" Spoke Guards	1 pr.	4091	22" Spoke Guards	1 pr.
4092	24" Spoke Guards	1 pr.			

WARRANTY

Freedom Designs, Inc. Limited Warranty

PLEASE NOTE: THE WARRANTY BELOW HAS BEEN DRAFTED TO COMPLY WITH FEDERAL LAW APPLICABLE TO PRODUCTS MANUFACTURED AFTER JULY 4, 1975. THIS WARRANTY IS EXTENDED ONLY TO THE ORIGINAL PURCHASER/USER WHO PURCHASES THIS PRODUCT WHEN NEW AND UNUSED DIRECTLY FROM FREEDOM DESIGNS OR AN AUTHORIZED DEALER OR DISTRIBUTOR. THIS WARRANTY GIVES SPECIFIC LEGAL RIGHTS AND YOU MAY ALSO HAVE OTHER LEGAL RIGHTS WHICH VARY FROM STATE TO STATE.

Limited Warranty – USA: All Freedom Designs' wheelchair frames, quick release axles and hardware are warranted against defects in material and workmanship for **five (5) years** from the date of purchase. All other manufactured and distributed parts and components (including frame components, seating components, axle plates, armrests and backrests) are warranted for **one (1) year** from said purchase date. **There is no warranty for tires, tubes, and push handle grips.** If within such warranty periods any product component eligible for coverage under this warranty shall be proven to be defective, Freedom Designs will, at its option, either replace or repair the product, or will supply the original purchaser with replacement parts. Freedom Designs' sole obligation and your exclusive remedy under this warranty shall be limited to such repair and/or replacement of defective parts and shall not apply to problems arising from normal wear and tear or failure to adhere to the product instructions. This warranty does not include any labor or shipping charges incurred in replacement part installation or repair. Freedom Designs' sole obligation and your exclusive remedy under this warranty shall be limited to such repair and/or replacement.

Limited Warranty - International: All Freedom Designs' wheelchair frames & quick release axles are warranted against defects in material and workmanship for **five (5) years** from the date of purchase. All other manufactured and distributed parts and components (including frame components, axle plates, armrests and backrests) are warranted for **one (1) year** from said purchase date. All hardware is warranted for **two (2) years** after the date of purchase to be free from defects and shall not apply to problems arising from normal wear and tear or failure to adhere to product instructions. **There is no warranty for tires, tubes, and push handle grips.** If within such warranty periods any product component eligible for coverage under this warranty shall be proven to be defective, Freedom Designs will, at its option, either replace or repair the product, or will supply the customer with replacement parts. Freedom Designs' sole obligation and your exclusive remedy under this warranty shall be limited to such repair and/or replacement. This warranty does not include any labor or shipping charges incurred in replacement part installation or repair. Freedom Designs' sole obligation and your exclusive remedy under this warranty shall be limited to such repair and/or replacement.

Limitations & Exclusions – USA & International: The foregoing limited warranties shall **not apply** to: Tires, tubes and push handle grips; Serial numbered products if the serial number has been removed or defaced; Products subjected to negligence, accident, improper operation, maintenance, or storage; Products modified without Freedom Designs' express written consent including, but not limited to, modification through the use of unauthorized parts or attachments; Products damaged by reason of repairs made to any component without the specific consent of Freedom Designs, or to products damaged by circumstances beyond Freedom Designs' control; Problems arising from normal wear or failure to adhere to these instructions; and with any such warranty eligibility evaluation to be solely determined by Freedom Designs;

THE FOREGOING LIMITED WARRANTIES ARE EXCLUSIVE AND IN LIEU OF ANY OTHER WARRANTIES WHATSOEVER, WHETHER EXPRESS OR IMPLIED, INCLUDING THE IMPLIED WARRANTIES OF MERCHANTABILITY AND FITNESS FOR A PARTICULAR PURPOSE, AND THE SOLE REMEDY FOR VIOLATIONS OF ANY WARRANTY WHATSOEVER SHALL BE LIMITED TO REPAIR OR REPLACEMENT OF THE DEFECTIVE PRODUCT PURSUANT TO THE TERMS CONTAINED HEREIN. THE APPLICATION OF ANY IMPLIED WARRANTY WHATSOEVER SHALL NOT EXTEND BEYOND THE DURATION OF THE EXPRESS WARRANTY PROVIDED HEREIN. FREEDOM DESIGNS SHALL NOT BE LIABLE FOR ANY CONSEQUENTIAL OR INCIDENTAL DAMAGES WHATSOEVER. THESE WARRANTIES SHALL BE EXTENDED TO COMPLY WITH STATE PROVINCIAL LAWS AND REQUIREMENTS.

Returns: An authorization for return must be acquired by an established Freedom Designs, Inc. dealer/distributor before Freedom Designs will accept returned items. The dealer must return items to Freedom Designs, 2241 N. Madera Rd, Simi Valley, CA 93065 USA with freight pre-paid and fully insured with the R.A. # issued by customer service marked on the outside of the box. All returns must be received within 45 days of issuance of the R.A. #. Returns are subject to examination at the discretion of Freedom Designs and may be subject to a 25% restocking fee. Custom fabricated products are non-returnable.

