

# PARTS MANUAL

# *TriPod*<sup>TM</sup> *LT*



**FREEDOM DESIGNS, INC.**

2241 Madera Rd., Simi Valley, CA 93065

• (800) 331-8551 •

(805) 582-0077 •

• FAX (888) 582-1509

[www.freedomdesigns.com](http://www.freedomdesigns.com)

CE

01222010

# TERMS & CONDITIONS

## Dealer Accounts & Terms

*A Freedom Designs, Inc. dealer application must be completed and approved before an account can be established. Freedom Designs standard terms for open accounts are net 30 days, unless other terms are agreed upon. Completed orders will not be shipped and new orders will not be processed on accounts with outstanding balances over 60 days.*

## Cancellations

*Prior to canceling an order, a valid cancellation number must be obtained from Freedom Designs Customer Service Department. Restocking charges will occur on orders in progress and will be assessed based on the stage of completion. Custom fabricated products will be charged at 100%.*

## Ordering

*Orders may be placed over the telephone, faxed, mailed or e-mailed into the Customer Service Department. Measurement forms are provided in the catalog to assist in ordering. Phone orders must be followed up with a hard copy confirming P.O. For any questions, please call Customer Service.*

## Errors & Omissions

*All Freedom Designs products are quality controlled prior to shipping. However, should there be a problem, it must be reported to Customer Service within three weeks of receipt of order for resolution.*

## Published Prices

*Prices are subject to change without prior notice.*

## Price Quotes

*If requested, customer service will provide a written quote on products. Written quotes will be valid for 60 days.*

## Liability

*Freedom Designs, Inc. is not responsible for any product used incorrectly or with the wrong application. We recommend that positioning products be used in conjunction with a team of professionals that have been involved with the evaluation of the client. Freedom Designs, Inc. is responsible for any product that is defective in manufacturing or that was made in error by Freedom Designs, Inc.*

## Shipping

*All Freedom Designs, Inc. products are shipped ground, FOB Simi Valley. Freight charges on factory installs may apply on wheelchairs not manufactured by Freedom Designs, Inc. For requests of special handling or exceptional freight, up-charges will be billed.*

## Hours of Business

*Customer Service: Monday through Friday  
6:00 a.m. to 5:00 p.m. PST*

*Message Center: Available when factory is closed*

*FAX Line: Available 24 hours a day,  
7 days a week*

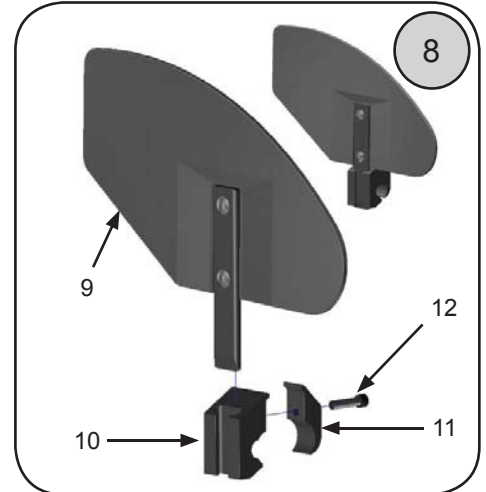
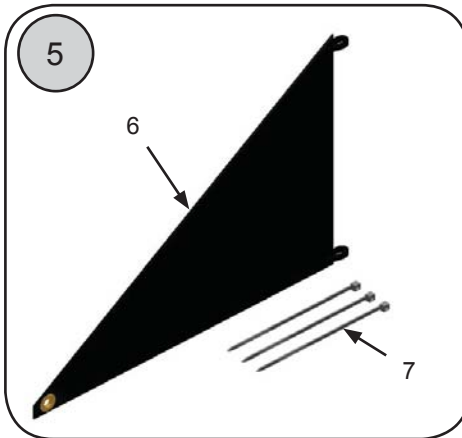
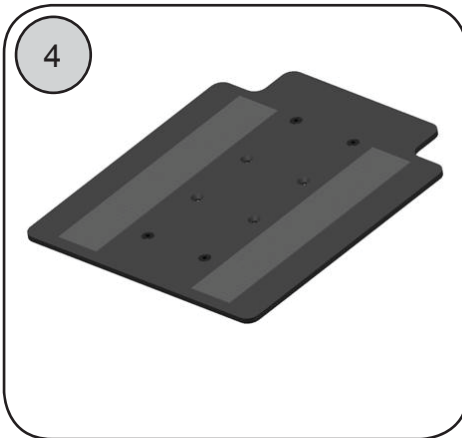
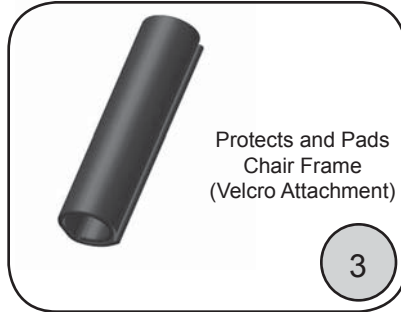
## Returns

*All returns must have a Return Authorization Number on the box and must be shipped freight pre-paid. Product received without a valid R.A. # will be refused. The R.A. # must be obtained from the Customer Service Department. All returns MUST be received in the factory within 45 days of issuance of the R.A. #. Returns are subject to examination at the discretion of Freedom Designs, Inc. Returns may be subject to a 25% restocking fee. Custom fabricated products may not be returned.*

# TABLE OF CONTENTS

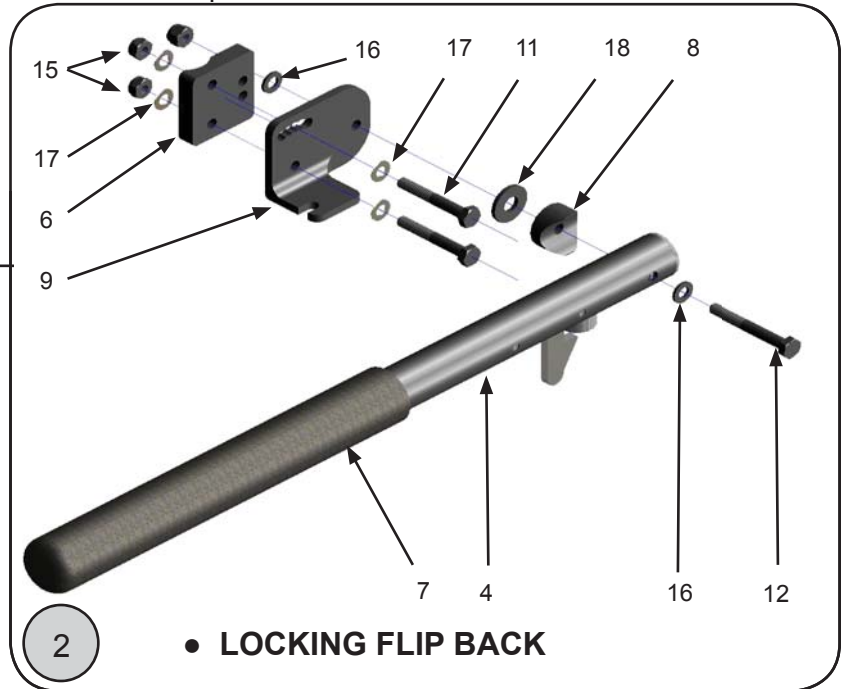
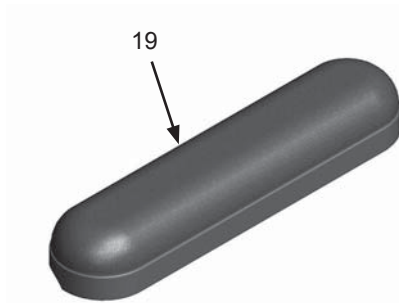
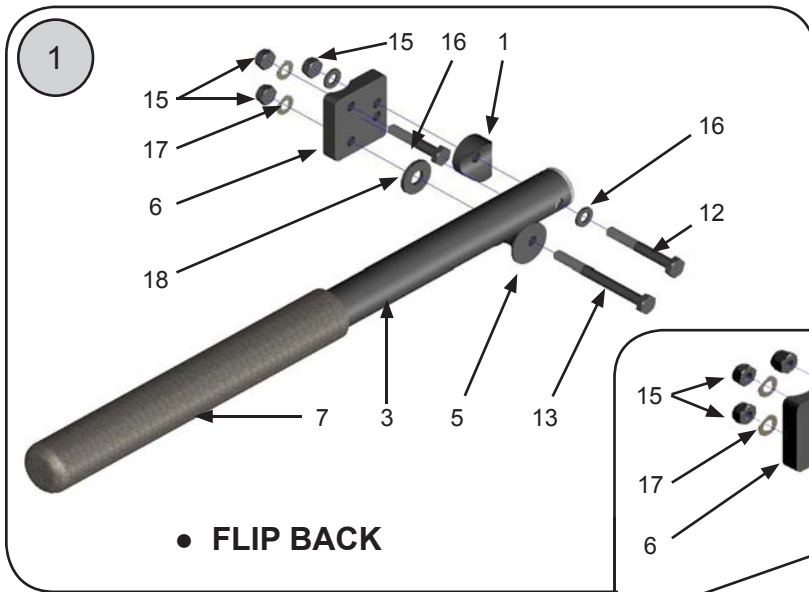
<u>Components</u>	<u>Page No.</u>
Accessories .....	2
Armrests .....	3-5
Flip Back .....	3
Adjustable Height - Standard .....	4
Adjustable Height - Pediatric .....	5
Axles / Limited Tension Caster .....	6
Back Components .....	7-8
Back Assemblies .....	7
Backrest—Push Handles .....	8
Caster Components .....	9-11
Caster Forks .....	9
Caster Parts .....	10
Caster Wheels .....	11
Footboard -Flip Back .....	12
Footplates .....	13-16
Composite .....	13
Flip Up—All .....	14
Flip Up—90° (discontinued) .....	15
Flip Up—75° (discontinued) .....	16
Frame Growth Kits .....	17
Frames .....	16-19
Wheel Locks & Accessories .....	20
Hub Locks .....	21
Wheel Assemblies & Options .....	22-27
Assemblies—Adult .....	22
Spinergy Wheels—Adult .....	23
Assemblies w/ Hub Locks .....	24
Assemblies—Pediatric .....	25
Wheel Options—Adult .....	26
Wheel Options—Pediatric .....	27
Upholsteries - Seat & Back .....	28
Warranty .....	29

## ACCESSORIES



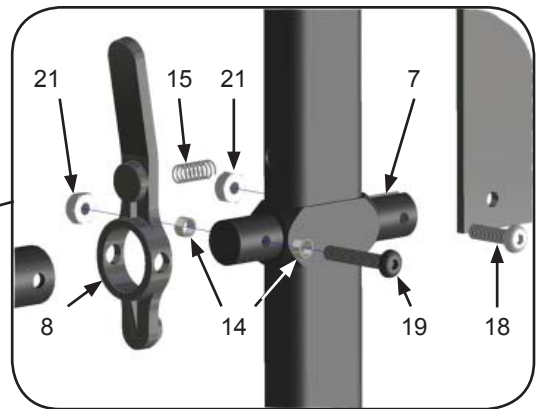
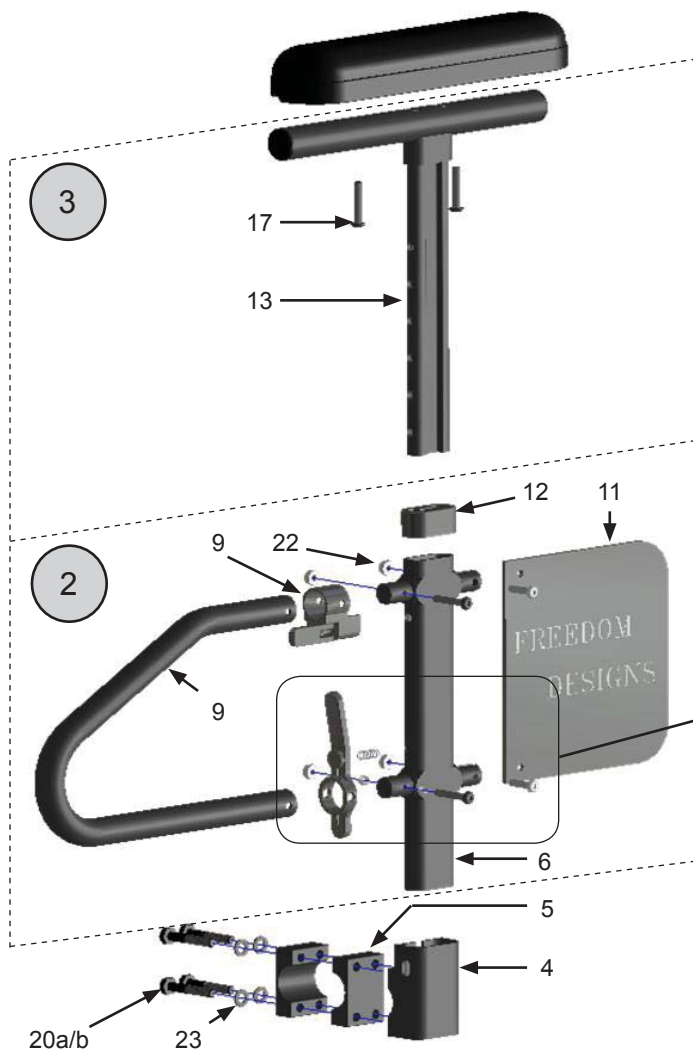
No.	PART #	DESCRIPTION	QTY	No.	PART #	DESCRIPTION	QTY
1	FBP	Back Pack	1 ea.	8	7006	Clamp On Clothing Guard Assemblies	1 pr.
2	FMNP	Medical Necessities Bag	1 ea.		7006-R	Clamp On Clothing Guard Assy—Right	1 pr.
3	10911	Frame Pads	1 pr.		7006-L	Clamp On Clothing Guard Assy—Left	1 ea.
8	10910	Seat Pan	1 ea.	9	7003	Removable Clothing Guard Panels	1 ea.
	10909	Seat Pan—Quick Release	1 ea.		7003-R	Removable Clothe Guard Panel—Right	1 pr
18	7000	Fabric Clothing Guard Assemblies	1 pr.		7003-L	Removable Clothe Guard Panel—Left	1 ea.
	7000-1	Fabric Clothing Guard	1 pr.	10	7004	Receiver Clamp	1 ea.
6	7001	Fabric Clothing Guard Panel	1 ea.	11	7005	Inner Clamp	1 ea.
7	7002	Zip Ties	1 ea.	12	9061	Screw—1/4-20 x 1" Socket Head	1 ea.

## ARMRESTS - Flip Back



No.	PART #	DESCRIPTION	QTY	No.	PART #	DESCRIPTION	QTY
1	10721	Flip Back Armrest Assemblies—16"	1 pr.	6	6014	Mounting Plate	1 ea.
	10721-R	Flip Back Armrest Assy—Rt.—16"	1 ea.	7	5022	Foam Pad	1 ea.
	10721-L	Flip Back Armrest Assy—Lt.—16"	1 ea.	8	9005	1" Plastic Saddle	1 ea.
	10721-P	Flip Back Armrest Assemblies—13"	1 pr.	9	6004-R	Adjustment Plate—Right	1 ea.
	10721-PR	Flip Back Armrest Assy—Rt.—13"	1 ea.		6004-L	Adjustment Plate—Left	1 ea.
	10721-PL	Flip Back Armrest Assy—Lt.—13"	1 ea.		6004	Adjustment Plates—Right & Left	1 pr.
2	10751	Locking Armrest Assemblies—16"	1 pr.	10	9021	Screw—1/4 x 1 1/2" Hex Head	1 ea.
	10751-R	Locking Armrest Assy—Rt.—16"	1 ea.	11	9022	Screw—1/4 x 1 3/4" Hex Head	1 ea.
	10751-L	Locking Armrest Assy—Lt.—16"	1 ea.	12	9023	Screw—1/4 x 2" Hex Head	1 ea.
	10751-P	Locking Armrest Assemblies—13"	1 pr.	13	9026	Screw—1/4 x 2 3/4" Hex Head	1 ea.
	10751-PR	Locking Armrest Assy—Rt.—13"	1 ea.	14	9072	Locknut—1/4" Nylon	1 ea.
	10751-PL	Locking Armrest Assy—Lt.—13"	1 ea.	15	9073	Locknut—1/4" Thin Nylon	1 ea.
3	10722	Flip Back Tube (no hardware) - 16"	1 ea.	16	9074	Washer—1/4" Flat	1 ea.
	10722-P	Flip Back Tube (no hardware) - 13"	1 ea.	17	9075	Washer—1/4" Thin Flat	1 ea.
4	10754	Locking Arm Tube Assembly—16"	1 ea.	18	9089	Washer—5/16" Flat	1 ea.
	10754-P	Locking Arm Tube Assembly—13"	1 ea.	19	10913	Desk Length Arm Pad—9.25" Long	1 ea.
5	6012	Flip Back Armrest Barrel	1 ea.		10916	Full Length Arm Pad—13.5" Long	1 ea.

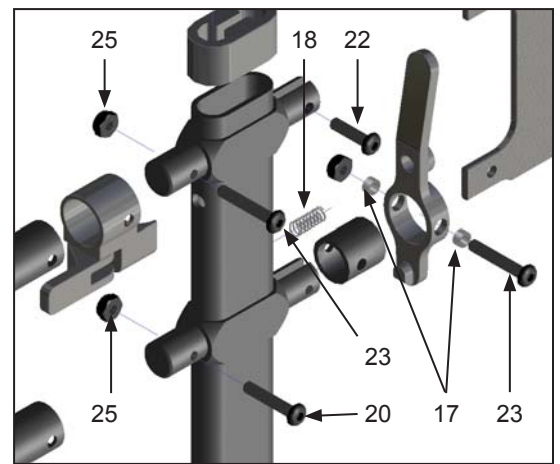
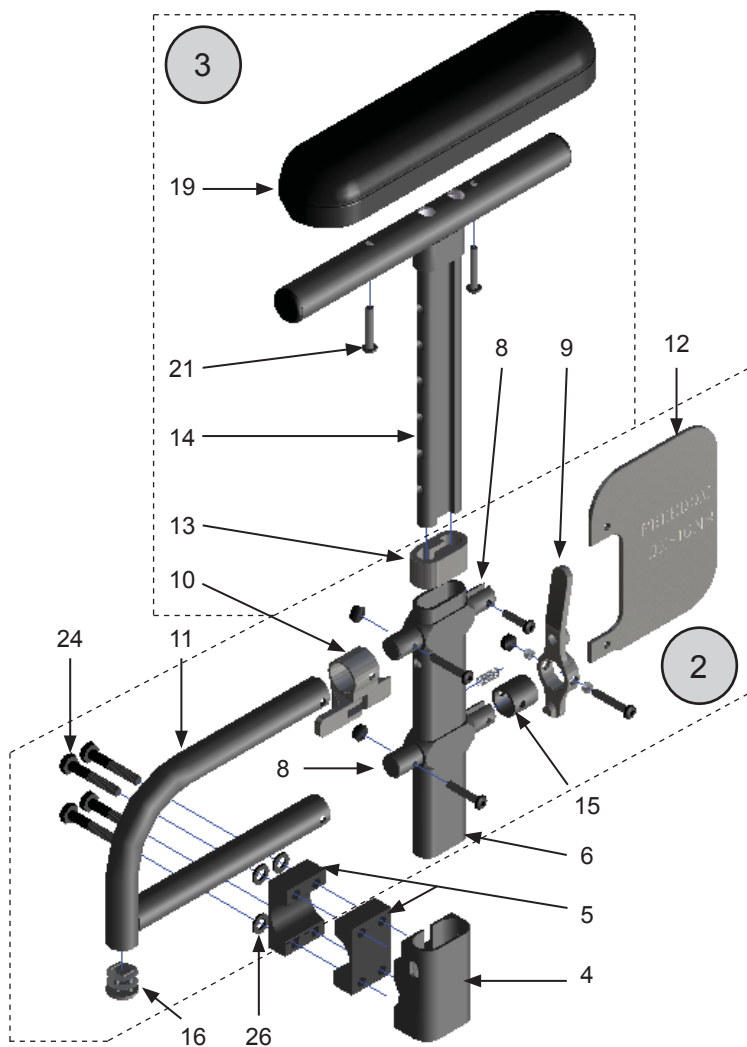
## ARMRESTS - Adjustable Height, Standard



STANDARD SEAT WIDTH REQUIRES (1) INNER CLAMP (ITEM 5) AND USES 1-1/4" LONG MOUNTING SCREW (ITEM 20a) EXTENDED SEAT WIDTH REQUIRES (2) INNER CLAMPS AS SHOWN AND USES 1-1/2" LONG MOUNTING SCREWS (ITEM 20b)

No.	PART #	DESCRIPTION	QTY	No.	PART #	DESCRIPTION	QTY
1	10756-R	T-Arm Assembly—Complete, Right	1 ea.	10	10766-STD	Front Tube—Standard	1 ea.
	10756-L	T-Arm Assembly—Complete, Left	1 ea.		10766-SH	Front Tube—Short	1 ea.
	10756	T-Arm Assemblies—Comp., Rt & Lt	1 pr.	11	10767	Panel	1 ea.
2	10757-R	Lower T-Arm Assembly—Right	1 ea.	12	10768	Receiver Tube Cap	1 ea.
	10757-L	Lower T-Arm Assembly—Left	1 ea.	13	10769	Height Adjust Post	1 ea.
	10757	Lower T-Arm Assemblies—Rt & Lt	1 pr.	14	9039	Spacer Bushing	1 ea.
3	10758-R	Upper T-Arm Assembly—Right	1 ea.	15	9040	Spring	1 ea.
	10758-L	Upper T-Arm Assembly—Left	1 ea.	16	10913	Desk Style Arm Pad	1 ea.
	10758	Upper T-Arm Assemblies—Rt & Lt	1 pr.		10916	Full Length Arm Pad	1 ea.
4	10759	Receiver Socket	1 ea.	17	9016	10-32 X 1 1/4" Pan Head Screw	1 ea.
5	10760	Receiver Frame Clamp	1 ea.	18	9057	10-32 X 3/4" Button Head Screw	1 ea.
6	10761	Receiver Tube	1 ea.	19	9070	10-32 X 1 1/4" Button Head Screw	1 ea.
7	10763	Receiver Tube Clamp	1 ea.	20a	9020	1/4-20 X 1 1/4" Hex Head Screw	1 ea.
8	10764	Frame Release Lever	1 ea.	20b	9021	1/4-20 X 1 1/2" Hex Head Screw	1 ea.
9	10765-R	Height Release Assembly—Right	1 ea.	21	9086	10-32 Nylon Lock Nut	1 ea.
	10765-L	Height Release Assembly—Left	1 ea.	22	9074	1/4" Flat Washer	1 ea.

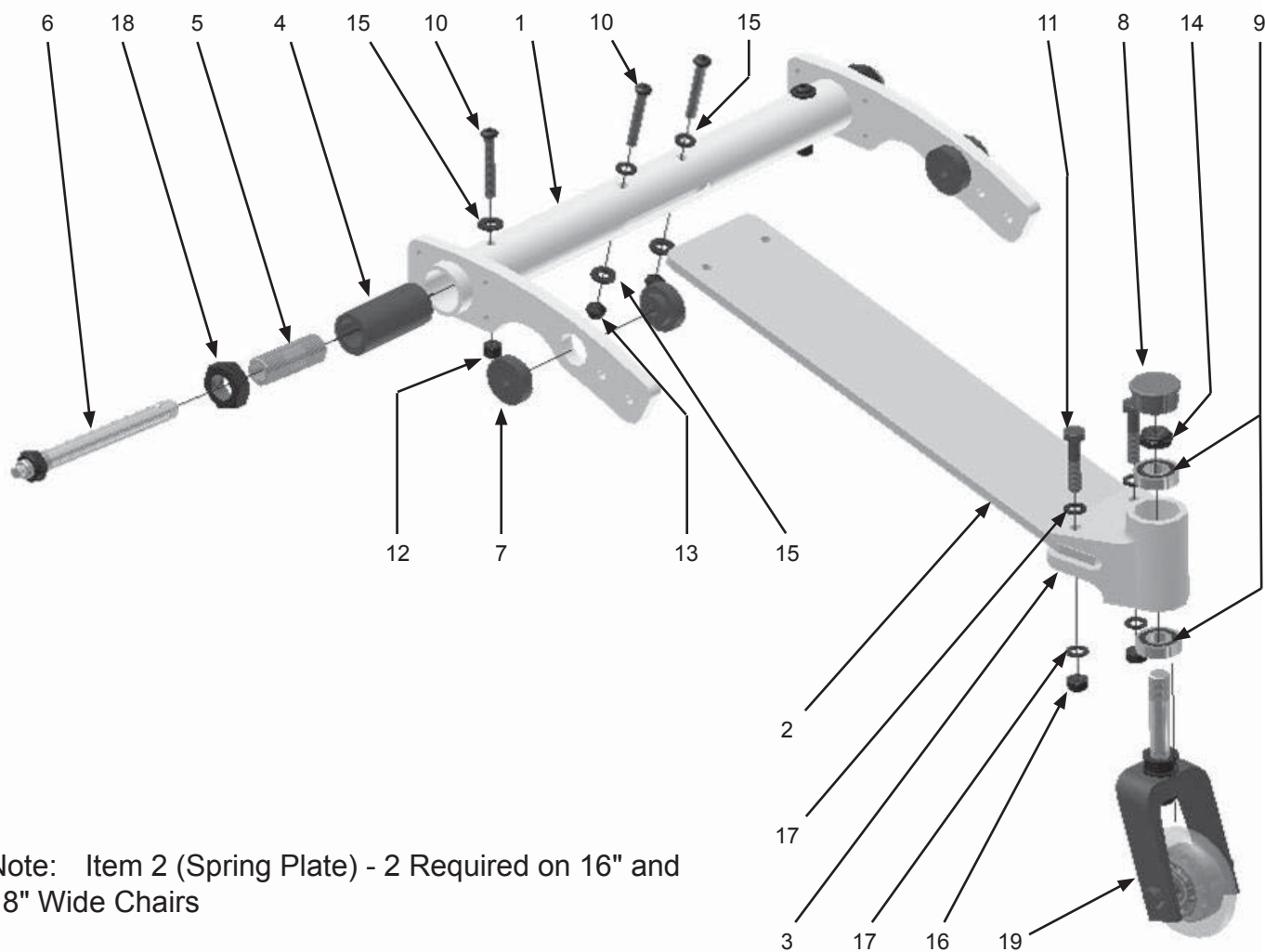
## ARMRESTS - Adjustable Height, Pediatric



STANDARD SEAT WIDTH REQUIRES (1) INNER CLAMP (ITEM 5) AND USES 1-1/4" LONG MOUNTING SCREW (ITEM 21a)  
 EXTENDED SEAT WIDTH REQUIRES (2) INNER CLAMPS AS SHOWN AND USES 1-1/2" LONG MOUNTING SCREWS (ITEM 21b)

No.	PART #	DESCRIPTION	QTY	No.	PART #	DESCRIPTION	QTY
1	10780-R	T-Arm Assembly, Ped. Complete—Rt.	1 ea.	11	10766-P	Front Tube—Pediatric	1 ea.
	10780-L	T-Arm Assembly, Ped. Complete—Lt.	1 ea.	12	10783	Panel	1 ea.
	10780	T-Arm Assemblies, Ped. Cmplt.—R & L	1 pr.	13	10768	Receiver Tube Cap	1 ea.
2	10781-R	Lower T-Arm Assembly, Ped.—Rt.	1 ea.	14	10769-P	Height Adjust Post	1 ea.
	10781-L	Lower T-Arm Assembly, Ped.—Lt.	1 ea.	15	10784	Spacer Tube	1 ea.
	10781	Lower T-Arm Assemblies, Ped.—R & L	1 pr.	16	3099	Tube Plug—3/4"	1 ea.
3	10782-R	Upper T-Arm Assembly, Ped.—Right	1 ea.	17	9039	Spacer Bushing	1 ea.
	10782-L	Upper T-Arm Assembly, Ped.—Left	1 ea.	18	9040	Spring	1 ea.
	10782	Upper T-Arm Assemblies, Ped.—R & L	1 pr.	19	10913	Desk Style Arm Pad	1 ea.
4	10759	Receiver Socket	1 ea.	20	9102	Screw—10-32 x 1" Button Head	1 ea.
5	10760	Receiver Frame Clamp	1 ea.	21	9016	Screw—10-32 x 1 1/4" Phillips Pan Head	1 ea.
6	10761-P	Receiver Tube	1 ea.	22	9057	Screw—10-32 x 3/4" Button Head	1 ea.
7	10763	Receiver Tube Clamp	1 ea.	23	9070	Screw—10-32 x 1 1/4" Button Head	1 ea.
8	10764	Frame Release Lever	1 ea.	24a	9020	Screw—1/4-20 x 1 1/4" Hex Head	1 ea.
9	10765-R	Height Release Assembly—Right	1 ea.	24b	9021	Screw—1/4-20 x 1 1/2" Hex Head	1 ea.
	10765-L	Height Release Assembly—Left	1 ea.	25	9086	Locknut—10-32 Nylon	1 ea.
	10765	Height Release Assemblies—Rt. & Lt.	1 pr.	26	9074	Washer—1/4" Flat	1 ea.

# AXLE /LIMITED TENSION CASTER

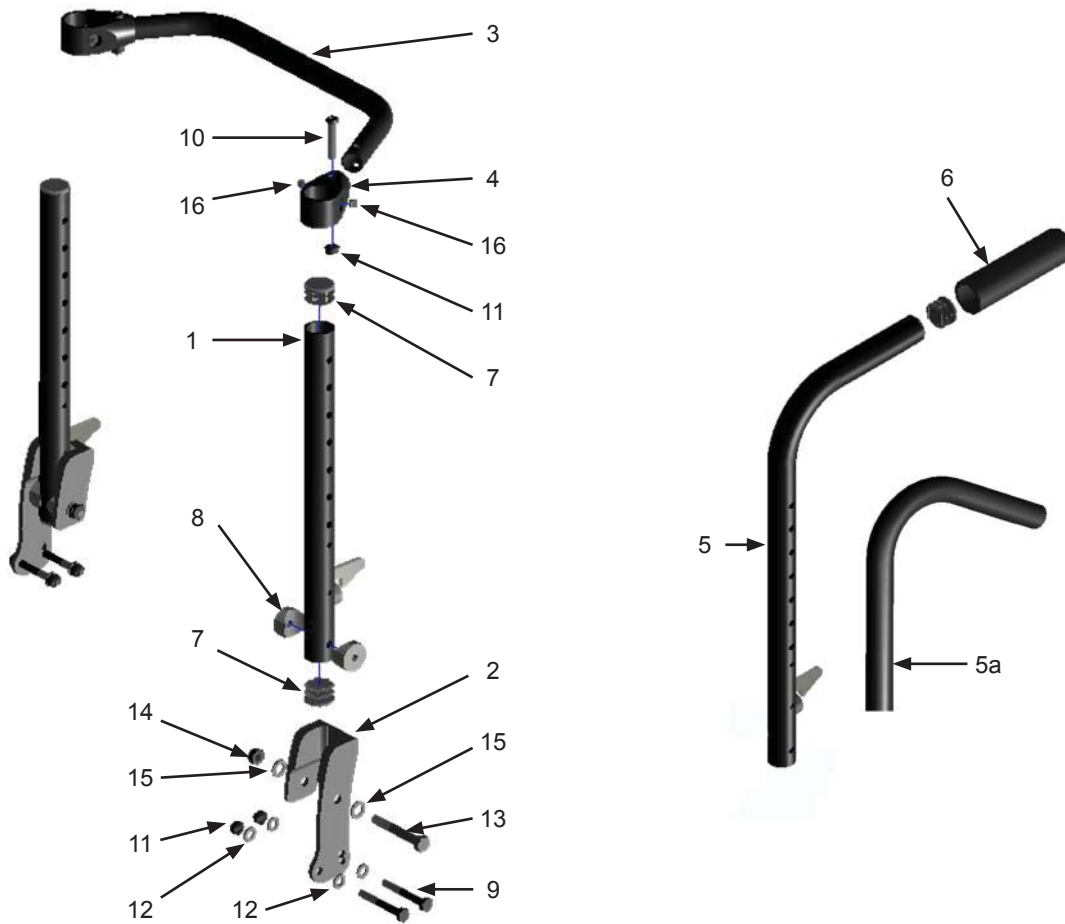


Note: Item 2 (Spring Plate) - 2 Required on 16" and 18" Wide Chairs

No.	PART #	DESCRIPTION	QTY	No.	PART #	DESCRIPTION	QTY
1	16040-10	Axle Tube—10"	1 ea.	8	16046	Cap—Caster Barrel	1 ea.
	16040-12	Axle Tube—12"	1 ea.	9	2009	Caster Bearing	1 ea.
	16040-14	Axle Tube—14"	1 ea.	10	9022	Screw—1/4 x 1 3/4" Button Head	1 ea.
	16040-16	Axle Tube—16"	1 ea.	11	9078	Screw—5/16 x 1 1/2" Hex Head	1 ea.
	16040-18	Axle Tube—18"	1 ea.	12	9072	Locknut—1/4" Nylon	1 ea.
*2	16041	Tension Spring Plate	1 ea.	13	9073	Locknut—1/4" Nylon, Thin	1 ea.
3	16042	Rear Caster Housing	1 ea.	14	9085	Locknut—1/2" Nylon, Thin	1 ea.
4	16044-0	Camber Insert—0°	1 ea.	15	9074	Washer—1/4" Flat	1 ea.
	16044-3	Camber Insert—3°	1 ea.	16	9087	Locknut—5/16" Nylon, Thin	1 ea.
	16044-6	Camber Insert—6°	1 ea.	17	9090	Washer—5/16" Flat	1 ea.
5	2003	Double Lock Axle Receiver	1 ea.	18	9092	Nut—3/4" Jam	1 ea.
6	4001	Quick Release Axle	1 ea.	19	SEE PAGE 10	Caster Wheel Assembly	1 ea.
7	16045	Mount Bushing	1 ea.				

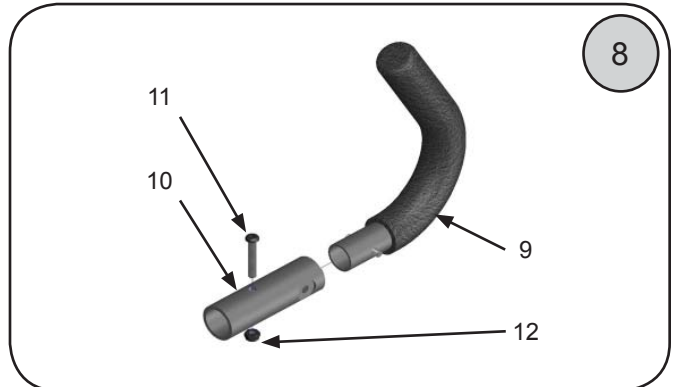
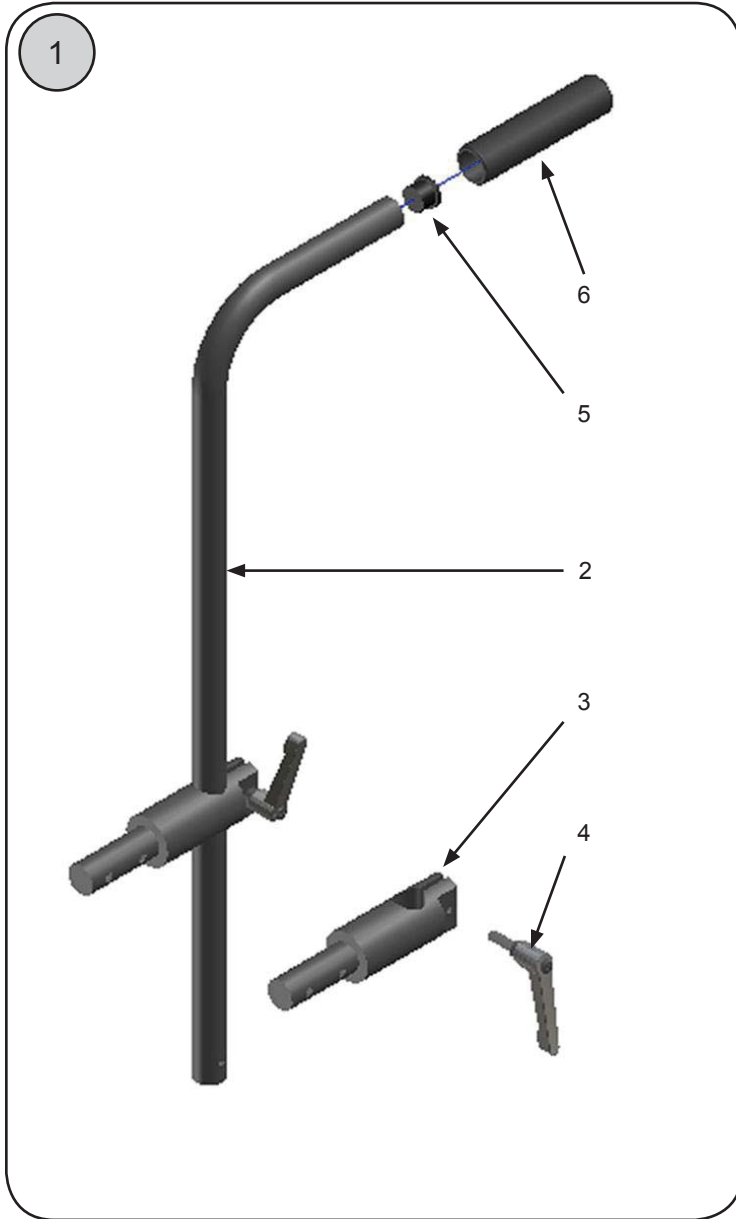


# BACKREST



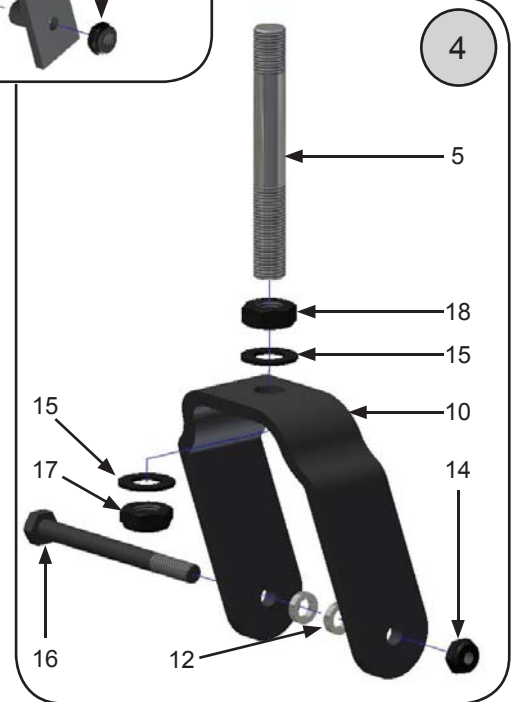
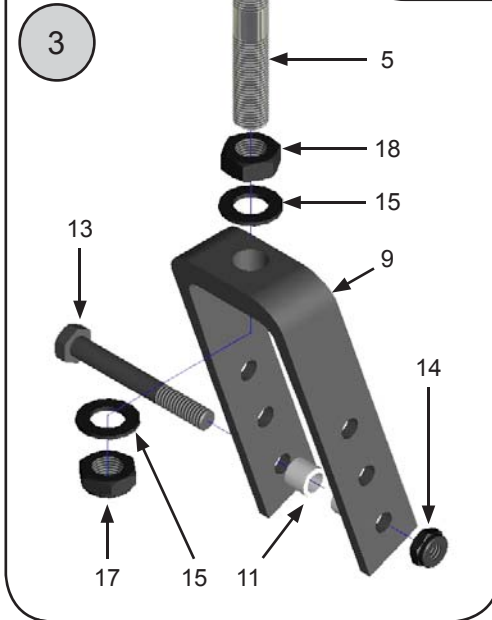
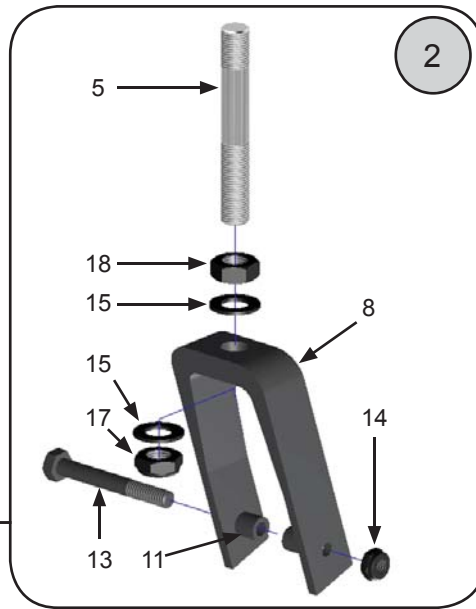
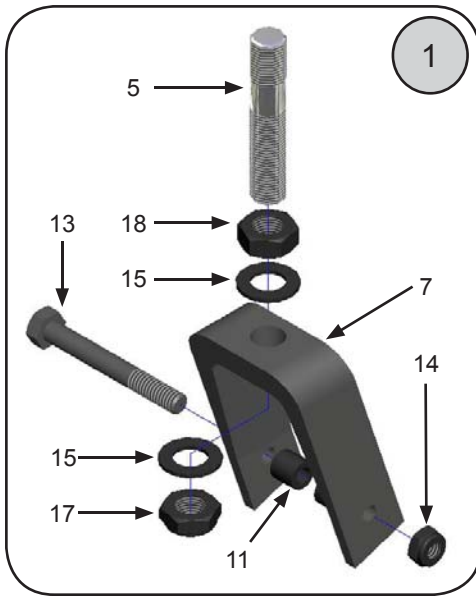
No.	PART #	DESCRIPTION	QTY	No.	PART #	DESCRIPTION	QTY
1	16050	Straight Back Post—10" High	1 ea.		10612	Back Cane—Tall	1 ea.
	16051	Straight Back Post—11" High	1 ea.	5A	13203	Back Cane—Short, Ergo	1 ea.
	16052	Straight Back Post—12" High	1 ea.		13204	Back Cane—Medium, Ergo	1 ea.
	16053	Straight Back Post—13" High	1 ea.		13205	Back Cane—Tall, Ergo	1 ea.
	16054	Straight Back Post—14" High	1 ea.	6	1998	Foam Grip	1 ea.
	16055	Straight Back Post—15" High	1 ea.	7	9000	1" Tube End Plug	1 ea.
2	16056-R	Back Receiver Plate—Right	1 ea.	8	9004	1" Saddle for 5/16" Screw	1 ea.
	16056-L	Back Receiver Plate—Left	1 ea.	9	9023	Screw—1/4 x 2" Hex Head	1 ea.
3	16060	Back Spreader Bar—10"	1 ea.	10	9034	Screw—1/4 x 1 1/4" Button Head	1 ea.
	16062	Back Spreader Bar—12"	1 ea.	11	9073	Locknut—1/4" Nylon, Thin	1 ea.
	16064	Back Spreader Bar—14"	1 ea.	12	9074	Washer—1/4" Flat	1 ea.
	16066	Back Spreader Bar—16"	1 ea.	13	9081	Screw—5/16 x 2" Hex Head	1 ea.
	16068	Back Spreader Bar—18"	1 ea.	14	9088	Locknut—5/16" Nylon	1 ea.
4	16049	Spreader Bar Mount Fitting	1 ea.	15	9090	Washer—5/16" Flat	1 ea.
5	10610	Back Cane—Short	1 ea.	16	16069	Set Screw—1/4 x 1/4"	1 ea.
	10611	Back Cane—Medium	1 ea.				

## BACKRESTS - Push Handles & Stroller Handles



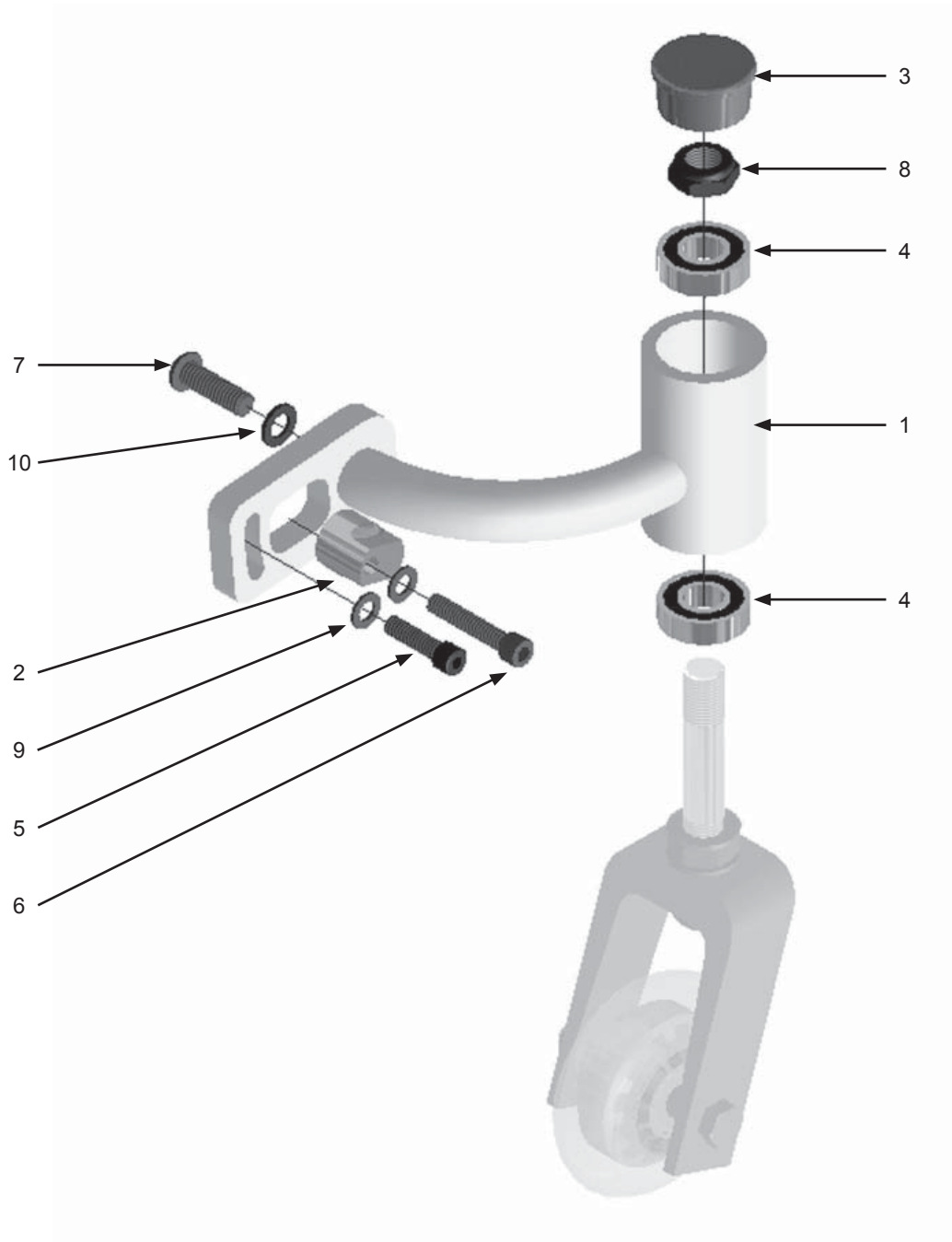
No.	PART #	DESCRIPTION	QTY	No.	PART #	DESCRIPTION	QTY
1	16070	Telescoping Push Handle Assembly	1 pr.	8	10620	Stroller Handle Assy (Handle / Adapt)	1 ea.
2	16071	Telescoping Push Handle	1 ea.	9	10621	Stroller Handle	1 ea.
3	16072	Locking Clamp	1 ea.	10	10622	Adapter Tube	1 ea.
4	10573	Ratchet Screw—1/4-20 x 1/2"	1 ea.	11	9035	Screw—1/4 x 1 1/2" Button Head	1 ea.
5	16073	Tube Plug—3/4"	1 ea.	12	9073	Locknut—1/4" Nylon, Thin	1 ea.
6	16074	Grip—3/4" Tube x 4" Long	1 ea.	13	10625-14	Push Button Adjust. Stroller —14"	1 ea.
7	10623-10	One Piece Stroller Handle—Q. R.10"	1 ea.		10625-16	Push Button Adjust. Stroller —16"	1 ea.
	10623-12	One Piece Stroller Handle—Q. R.12"	1 ea.		10625-18	Push Button Adjust. Stroller —18"	1 ea.
	10623-14	One Piece Stroller Handle—Q. R.14"	1 ea.				
	10623-16	One Piece Stroller Handle—Q. R.16"	1 ea.				
	10623-18	One Piece Stroller Handle—Q. R.18"	1 ea.				

## CASTER COMPONENTS - Forks



No.	PART #	DESCRIPTION	QTY	No.	PART #	DESCRIPTION	QTY
1	10040-1	3" Caster Fork Assembly	1 ea.	8	2011C	4" Caster Fork	1 ea.
	10040-2	3" Caster Fork Assemblies	1 pr.	9	2011A	5" & 6" Caster Fork	1 ea.
2	10052-1	4" Caster Fork Assembly	1 ea.	10	2011B	6" x 2" Caster Fork	1 ea.
	10052-2	4" Caster Fork Assembly	1 pr.	11	2013	Caster Spacer except 6" x 2" Casters)	1 ea.
3	10041-1	5" & 6" Caster Fork Assembly	1 ea.	12	2013A	Caster Spacer (6" x 2" casters only)	1 ea.
	10041-2	5" & 6" Caster Fork Assemblies	1 pr.	13	9082	Screw—5/16 x 2 1/2" Hex Head	1 ea.
4	10045-1	6" X 2" Caster Fork Assembly	1 ea.	14	9088	Locknut—5/16" Nylon, Thin	1 ea.
	10045-2	6" X 2" Caster Fork Assembly	1 pr.	15	9089	Washer—1/2" Flat	1 ea.
5	2010A	3 5/8" Caster Stem	1 ea.	16	9084	Screw—5/16 x 3 1/2" Hex Head	1 ea.
6	2010B	4" Caster Stem	1 ea.	17	9085	Locknut—1/2" Nylon, Thin	1 ea.
7	2011	3" Caster Fork	1 ea.	18	9091	Jam Nut—1/2"	1 ea.

## CASTER COMPONENTS - Mounting



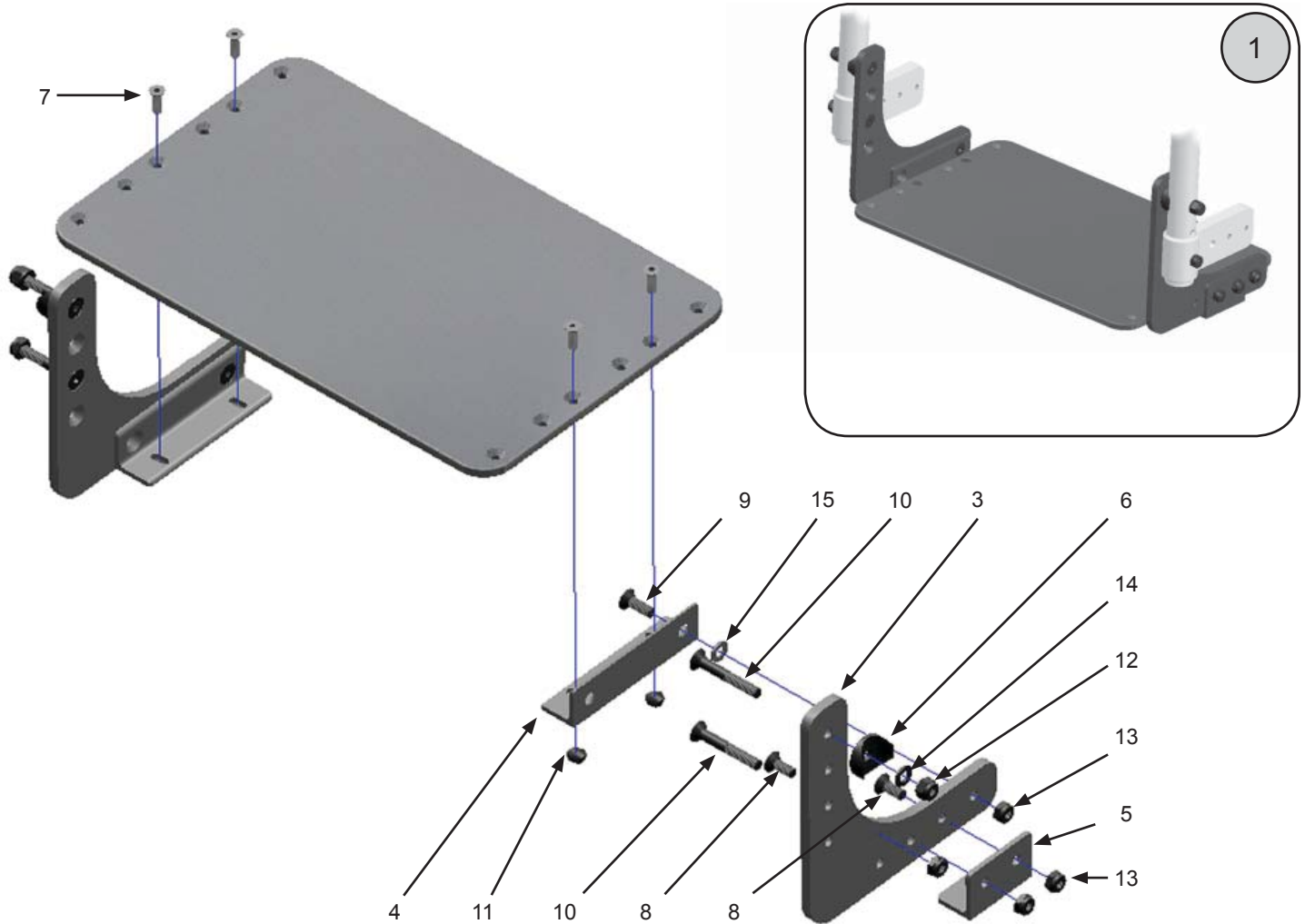
No.	PART #	DESCRIPTION	QTY	No.	PART #	DESCRIPTION	QTY
1	16047-R	Caster Receiver Assembly—Right	1 ea.	6	9062	Screw—1/4-20 x 1 1/4" Socket Head	1 ea.
	16047-L	Caster Receiver Assembly—Left	1 ea.	7	9033A	Screw—5/16-18 x 1" Button Head	1 ea.
2	16048	Adjustment Cam	1 ea.	8	9085	Locknut—1/2-20 Nylon, Thin	1 ea.
3	16046	Cap—Caster Barrel	1 ea.	9	9074	Washer—1/4" Flat	1 ea.
4	2009	Bearing	1 ea.	10	9089	Washer—5/16" Flat	1 ea.
5	9059A	Screw—1/4-20 x 7/8" Socket Head	1 ea.	11	9089	Washer—1/2" Flat	1 ea.
4	2010D	2 3/4" Caster Stem	1 ea.				

## CASTER COMPONENTS - Wheels



No.	PART #	DESCRIPTION	QTY	No.	PART #	DESCRIPTION	QTY
1	10141-1	3" Micro Caster (Light up) Caster	1 ea.	5	10143-1	5" x 1" Poly Caster	1 ea.
	10141-2	3" Micro Caster (Light up) Casters	1 pr.		10143-2	5" x 1" Poly Casters	1 pr.
2	10142-1	3" Micro Caster	1 ea.	6	10149-1	5" x 1.5" Poly Caster	1 ea.
	10142-2	3" Micro Casters	1 pr.		10149-2	5" x 1.5" Poly Casters	1 pr.
3	10152-1	4" Micro Caster	1 ea.	7	10144-1	6" x 1" Poly Caster	1 ea.
	10152-2	4" Micro Casters	1 pr.		10144-2	6" x 1" Poly Casters	1 pr.
4	10153-1	4" Micro Light Up Caster	1 ea.	8	2009A	Caster Wheel Bearing	1 ea.
	10153-2	4" Micro Light Up Casters	1 pr.				

## FOOTRESTS - Flip Back Footboard



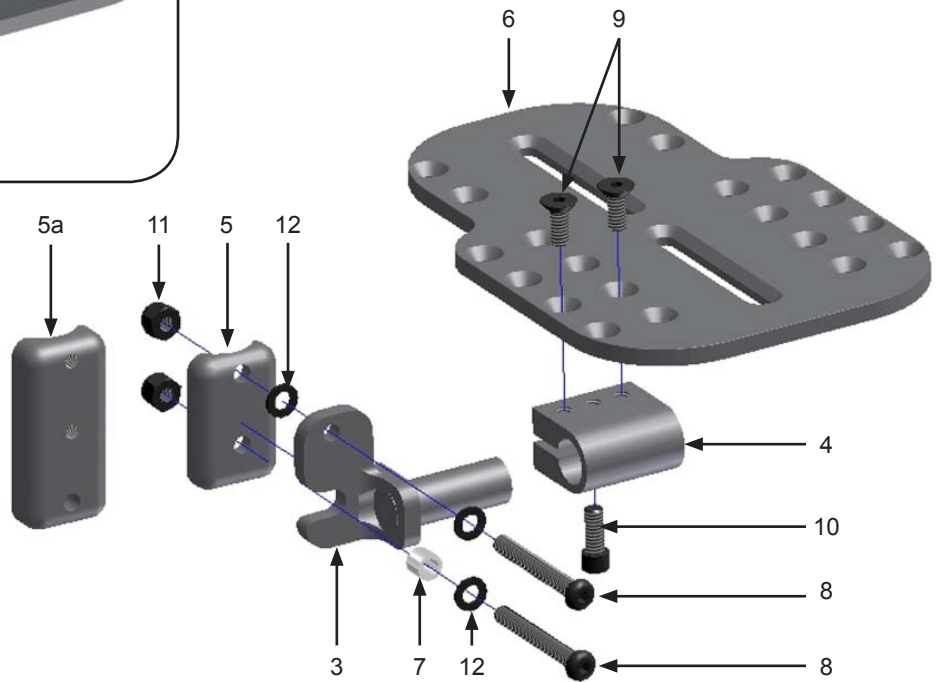
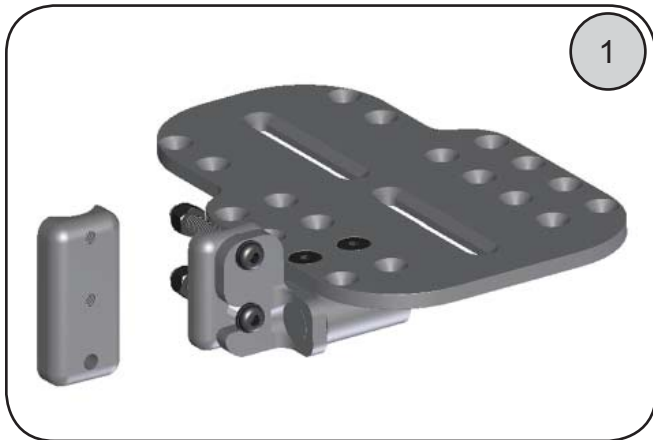
No.	PART #	DESCRIPTION	QTY	No.	PART #	DESCRIPTION	QTY
1	16103-10	Footboard Assy—Flip Up, 10" (pediatric only)	1 pr.	4	16105-B	Footboard Pivot Bracket	1 ea.
	16103-12	Footboard Assy—Flip Up, 12"	1 ea.	5	16105-C	Footboard Stop Bracket	1 ea.
	16103-14	Footboard Assy—Flip Up, 14"	1 ea.	6	9000A	1" Saddle	1 ea.
	16103-16	Footboard Assy—Flip Up, 16"	1 ea.	7	9041	Screw—10-32 x 5/8" Flat Head	1 ea.
	16103-18	Footboard Assy—Flip Up, 18"	1 ea.	8	9055	Screw—1/4 x 5/8" Flat Head	1 ea.
2	16104-10	Footboard —Flip Up, 10"	1 ea.	9	9046	Screw—1/4 x 3/4" Flat Head	1 ea.
	16104-12	Footboard —Flip Up, 12"	1 ea.	10	9050	Screw—1/4 x 1 3/4" Flat Head	1 ea.
	16104-14	Footboard —Flip Up, 14"	1 ea.	11	9086	Locknut—10-32 Nylon	1 ea.
	16104-16	Footboard —Flip Up, 16"	1 ea.	12	9072	Locknut—1/4" Nylon	1 ea.
	16104-18	Footboard —Flip Up, 18"	1 ea.	13	9073	Locknut—1/4" Nylon, Thin	1 ea.
3	16105-A	Footboard Mount Bracket	1 ea.	14	9074	Washer—1/4" Flat	1 ea.
	16105-A LONG	Footboard Mount Bracket—Long	1 ea.	15	9010	Washer—1/4" Flat, Nylon	1 ea.

## FOOTRESTS - Composite Flip-up



No.	PART #	DESCRIPTION	QTY	No.	PART #	DESCRIPTION	QTY
1	20071	Footplate Assemblies—12-13"	1 pr.		20075-L	Footplate—12-13", Left	1 ea.
	20071-R	Footplate Assembly—12-13", Right	1 ea.		20076-R	Footplate—14-15", Right	1 ea.
	20071-L	Footplate Assembly—12-13", Left	1 pr.		20076-L	Footplate—14-15", Left	1 ea.
	20072	Footplate Assemblies—14-15"	1 pr.		20077-R	Footplate—16-17", Right	1 ea.
	20072-R	Footplate Assembly—14-15", Right	1 ea.		20077-L	Footplate—16-17", Left	1 ea.
	20072-L	Footplate Assembly—14-15", Left	1 ea.		20078-R	Footplate—18", Right	1 ea.
	20073	Footplate Assemblies—16-17"	1 pr.		20078-L	Footplate—18", Left	1 ea.
	20073-R	Footplate Assembly—16-17", Right	1 ea.	3	20079	Heel Loops	1 pr.
	20073-L	Footplate Assembly—16-17", Left	1 ea.		20079-1	Heel Loop	1 ea.
	20074	Footplate Assemblies—18"	1 pr.	4	10006	Heel Loop Mount Stud	1 ea.
	20074-R	Footplate Assembly—18", Right	1 ea.	5	10007	Heel Loop Mount Screw	1 ea.
	20074-L	Footplate Assembly—18", Left	1 ea.	6	9064	Screw—1/4 x 1 3/4" Socket Head	1 ea.
2	20075-R	Footplate—12-13", Right	1 ea.	7	9072	Locknut—1/4" Nylon	1 ea.

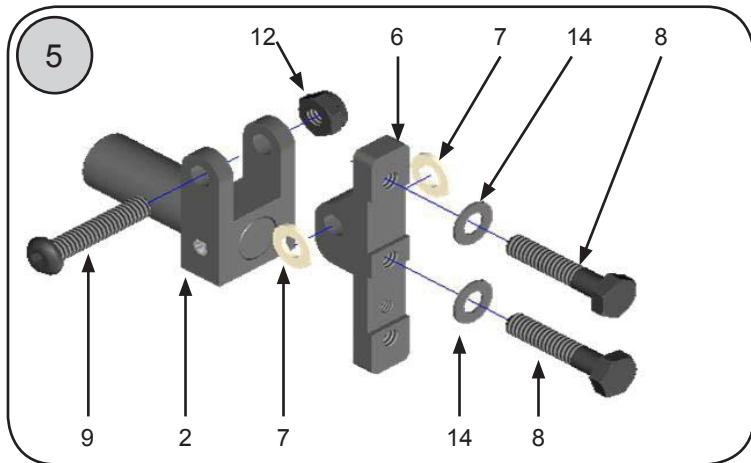
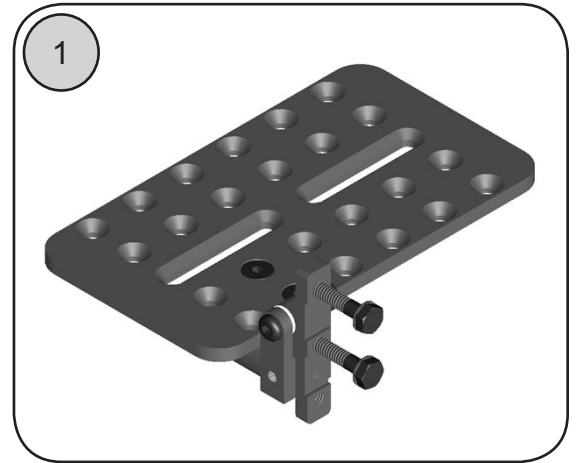
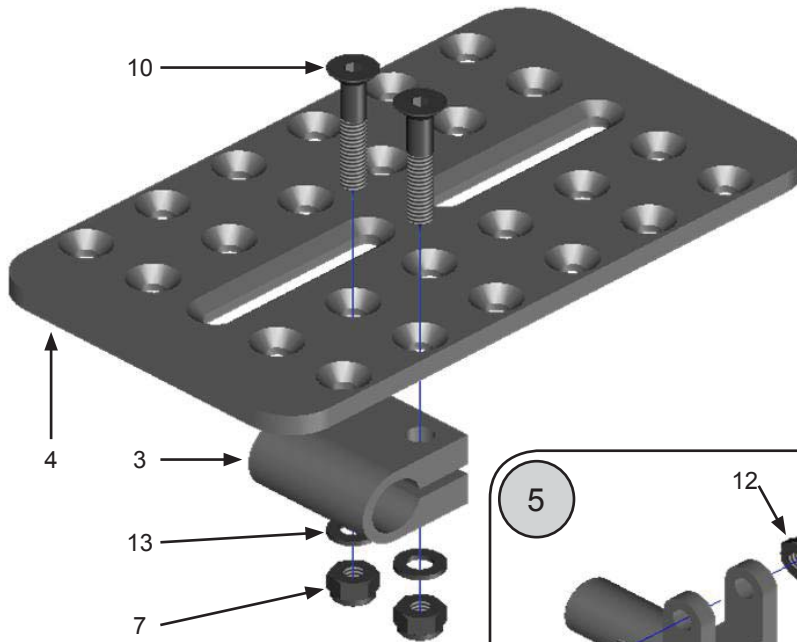
## FOOTRESTS - Flip-up Footplate



No.	PART #	DESCRIPTION	QTY	No.	PART #	DESCRIPTION	QTY
1	20050	Flip Up Footplate Assy, 10-11"	1 pr.		20065-L	Pivot Arm—Left	1 ea.
	20050-R	Flip Up Footplate Assy, 10-11, Rt.	1 ea.	3	20066	Footplate Swivel Clamp	1 ea.
	20050-L	Flip Up Footplate Assy, 10-11", Lt.	1 ea.	4	20067	Hanger Spacer	1 ea.
	20060	Flip Up Footplate Assy, 12-13"	1 pr.	4a	20068	Hanger Spacer—Extended	1 ea.
	20060-R	Flip Up Footplate Assy, 12-13", Rt.	1 ea.	5	3019	Footplate—Flip Up Angle Adj., 10-11"	1 ea.
	20060-L	Flip Up Footplate Assy, 12-13", Lt.	1 ea.		3020	Footplate—Flip Up Angle Adj., 12-13"	1 ea.
	20061	Flip Up Footplate Assy, 14-15"	1 pr.		3021	Footplate—Flip Up Angle Adj., 14-15"	1 ea.
	20061-R	Flip Up Footplate Assy, 14-15, Rt.	1 ea.		3022	Footplate—Flip Up Angle Adj., 16-17"	1 ea.
	20061-L	Flip Up Footplate Assy, 4-15", Lt.	1 ea.		3023	Footplate—Flip Up Angle Adj., 18"	1 ea.
	20062	Flip Up Footplate Assy, 16-17"	1 pr.	6	20069	Footplate Pivot Spacer	1 ea.
	20062-R	Flip Up Footplate Assy, 16-17, Rt.	1 ea.	7	9037	Screw—1/4-20 x 2" Button Head	1 ea.
	20062-L	Flip Up Footplate Assy, 16-17", Lt.	1 ea.	8	9053	Screw—1/4-20 x 5/8" Flat Head	1 ea.
	20063	Flip Up Footplate Assy, 18"	1 pr.	9	10005	Screw—1/4-20 x 5/8" Socket Head	1 ea.
	20063-R	Flip Up Footplate Assy, 18, Rt.	1 ea.	10	9072	Locknut—1/4-20 Nylon	
	20063-L	Flip Up Footplate Assy, 18", Lt.	1 ea.	11	9074	Washer—1/4" Flat	
2	20065-R	Pivot Arm—Right	1 ea.				

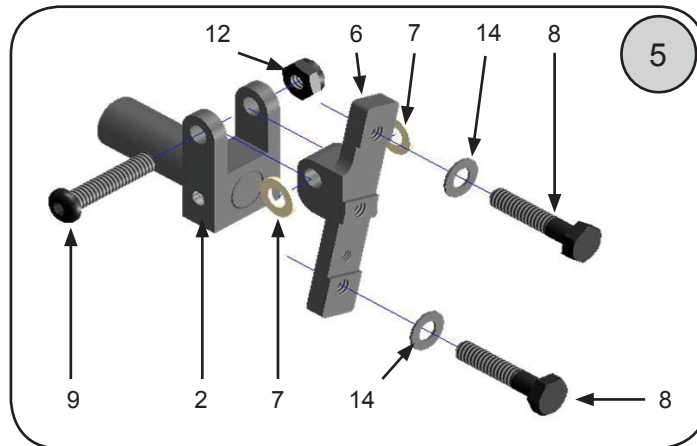
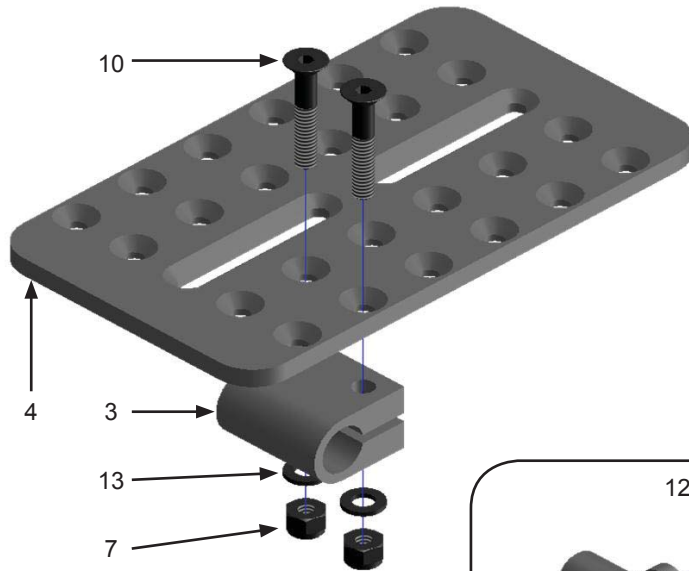


## FOOTRESTS - 90° Flip-up Footplate (discontinued)



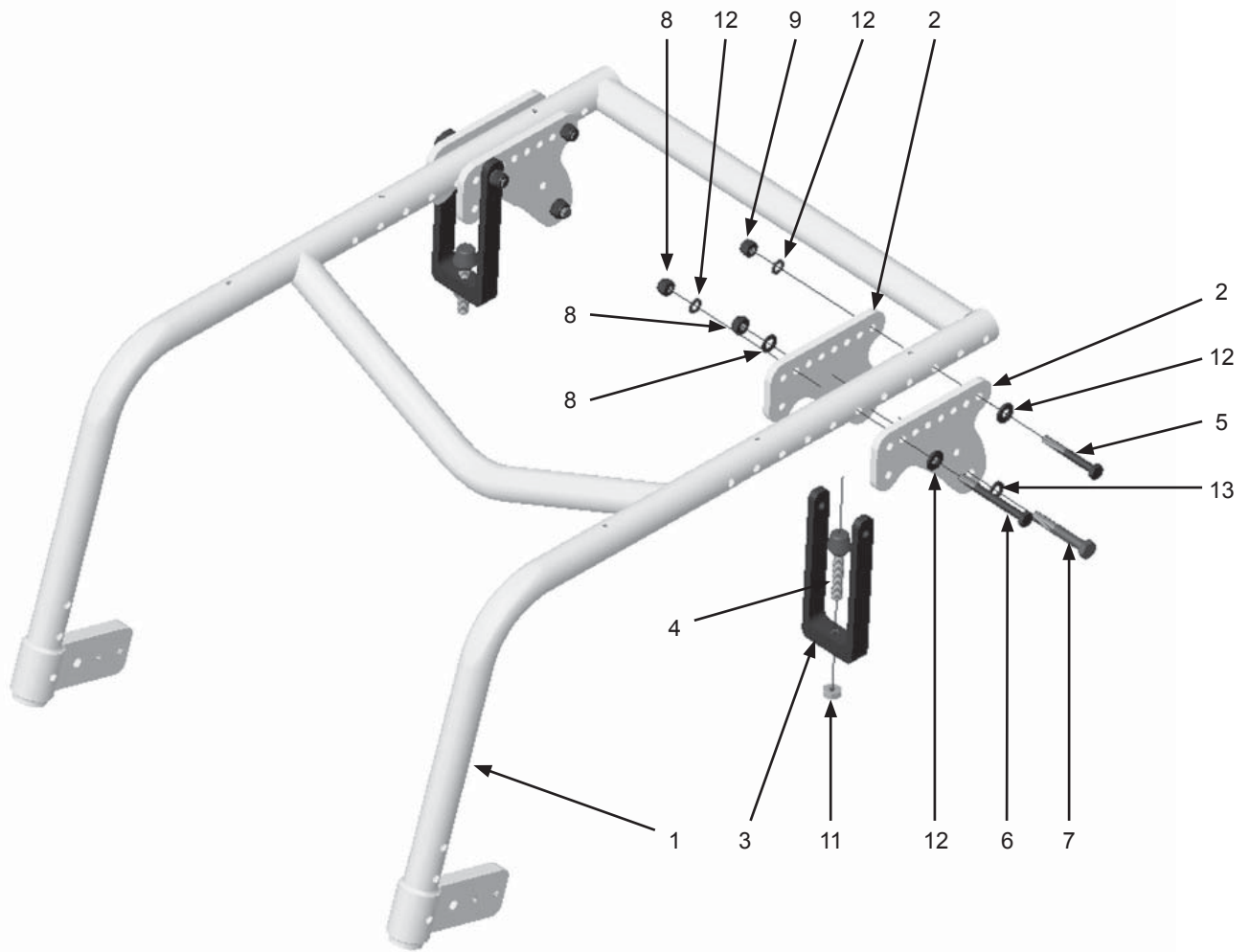
No.	PART #	DESCRIPTION	QTY	No.	PART #	DESCRIPTION	QTY
1	13031	Flip Up Footplate Assy, 90°, 10-11"	1 pr.	4	3019	Footplate—Flip Up Angle Adj., 10-11"	1 ea.
	13031-R	Flip Up Footplate Assy, 90°, 10-11, Rt.	1 ea.		3020	Footplate –Flip Up Angle Adj., 12-13"	1 ea.
	13031-L	Flip Up Footplate Assy, 90°, 10-11", Lt.	1 ea.		3021	Footplate—Flip Up Angle Adj., 14-15"	1 ea.
	13032	Flip Up Footplate Assy, 90°, 12-13"	1 pr.		3022	Footplate—Flip Up Angle Adj., 16-17"	1 ea.
	13032-R	Flip Up Footplate Assy, 90°, 12-13", Rt.	1 ea.		3023	Footplate—Flip Up Angle Adj., 18"	1 ea.
	13032-L	Flip Up Footplate Assy, 90°, 12-13", Lt.	1 ea.	5	3084	Footplate Hinge Assembly—90°	1 ea.
	13033	Flip Up Footplate Assy, 90°, 14-15"	1 pr.		3084-2	Footplate Hinge Assemblies—90°	1 pr.
	13033-R	Flip Up Footplate Assy, 90°, 14-15, Rt.	1 ea.	6	3085	Mount Plate—90°	1 ea.
	13033-L	Flip Up Footplate Assy, 90°, 14-15", Lt.	1 ea.	7	9010	Washer—1/4" Flat Nylon	1 ea.
	13034	Flip Up Footplate Assy, 90°, 16-17"	1 pr.	8	9020	Screw—1/4 x 1 1/4" Hex Head	1 ea.
	13034-R	Flip Up Footplate Assy, 90°, 16-17, Rt.	1 ea.	9	9034	Screw—1/4 x 1 1/4" Button Head	1 ea.
	13034-L	Flip Up Footplate Assy, 90°, 16-17", Lt.	1 ea.	10	9049	Screw—1/4 x 1 1/2" Flat Head	1 ea.
	13035	Flip Up Footplate Assy, 90°, 18"	1 pr.	11	9072	Locknut—1/4" Nylon	1 ea.
	13035-R	Flip Up Footplate Assy, 90°, 18, Rt.	1 ea.	12	9073	Locknut—1/4" Thin Nylon	1 ea.
	13035-L	Flip Up Footplate Assy, 90°, 18", Lt.	1 ea.	13	9074	Washer—1/4" Flat	1 ea.
2	3016	Footplate Flip Arm	1 ea.	14	9075	Washer—1/4" Thin Flat	1 ea.
3	3018	Footplate Swivel Clamp	1 ea.				

## FOOTRESTS - 75° Flip-up Footplate (discontinued)



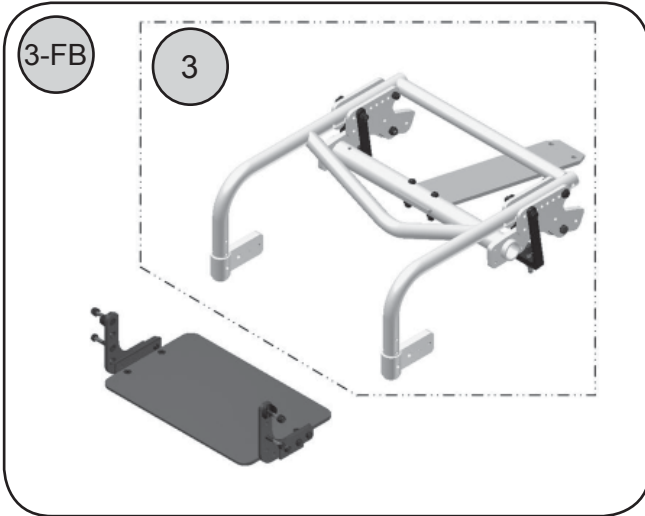
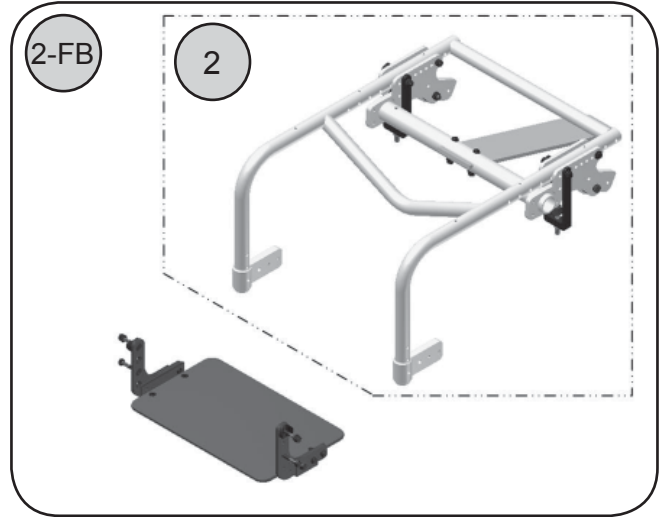
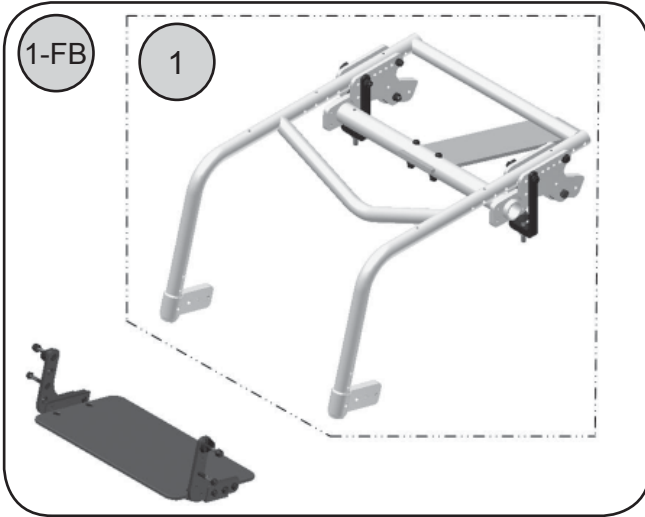
No.	PART #	DESCRIPTION	QTY	No.	PART #	DESCRIPTION	QTY
1	13036	Flip Up Footplate Assy, 75°, 10-11"	1 pr.	4	3019	Footplate—Flip Up Angle Adj., 10-11"	1 ea.
	13036-R	Flip Up Footplate Assy, 75°, 10-11, Rt.	1 ea.		3020	Footplate –Flip Up Angle Adj., 12-13"	1 ea.
	13036-L	Flip Up Footplate Assy, 75°, 10-11", Lt.	1 ea.		3021	Footplate—Flip Up Angle Adj., 14-15"	1 ea.
	13037	Flip Up Footplate Assy, 75°, 12-13"	1 pr.		3022	Footplate—Flip Up Angle Adj., 14-15"	1 ea.
	13037-R	Flip Up Footplate Assy, 75°, 12-13", Rt.	1 ea.		3023	Footplate—Flip Up Angle Adj., 18"	1 ea.
	13037-L	Flip Up Footplate Assy, 75°, 12-13", Lt.	1 ea.	5	3082-R	Footplate Hinge Assembly—75° Right	1 ea.
	13038	Flip Up Footplate Assy, 75°, 14-15"	1 pr.		3082-L	Footplate Hinge Assembly—75° Left	1 ea.
	13038-R	Flip Up Footplate Assy, 75°, 14-15, Rt.	1 ea.	6	3083-R	Mount Plate—75° Right	1 ea.
	13038-L	Flip Up Footplate Assy, 75°, 14-15", Lt.	1 ea.		3083-L	Mount Plate—75° Left	1 ea.
	13039	Flip Up Footplate Assy, 75°, 16-17"	1 pr.	7	9010	Washer—1/4" Flat Nylon	1 ea.
	13039-R	Flip Up Footplate Assy, 75°, 16-17, Rt.	1 ea.	8	9020	Screw—1/4 x 1 1/4" Hex Head	1 ea.
	13039-L	Flip Up Footplate Assy, 75°, 16-17", Lt.	1 ea.	9	9034	Screw—1/4 x 1 1/4" Button Head	1 ea.
	13040	Flip Up Footplate Assy, 75°, 18"	1 pr.	10	9049	Screw—1/4 x 1 1/2" Flat Head	1 ea.
	13040-R	Flip Up Footplate Assy, 75°, 18, Rt.	1 ea.	11	9072	Locknut—1/4" Nylon	1 ea.
	13040-L	Flip Up Footplate Assy, 75°, 18", Lt.	1 ea.	12	9073	Locknut—1/4" Thin Nylon	1 ea.
2	3016	Footplate Flip Arm	1 ea.	13	9074	Washer—1/4" Flat	1 ea.
3	3018	Footplate Swivel Clamp	1 ea.	14	9075	Washer—1/4" Thin Flat	1 ea.

## FRAMES - Components



No.	PART #	DESCRIPTION	QTY
1		Frame—See Growth Kits on pages 16 & 17	1 ea.
2a	16206	Axle Mount Plate	1 ea.
2b	16206-P	Axle Mount Plate—Pediatric	1 ea.
3a	16207	Limiter Bracket	1 ea.
3b	16207-P	Limiter Bracket—Pediatric	1 ea.
4	16208	Limiter Bumper Screw	1 ea.
5	9023	Screw—1/4-20 x 2" Hex Head	1 ea.
6	9025	Screw—1/4-20 x 2 1/2" Hex Head	1 ea.
7	9082	Screw—5/16-18 x 2" Hex Head	1 ea.
8	9072	Locknut—1/4-20 Nylon	1 ea.
9	9073	Locknut—1/4-20 Nylon, Thin	1 ea.
10	9088	Locknut—5/16-18 Nylon, Thin	1 ea.
11	9092A	Nut—5/16-18 Jam	1 ea.
12	9074	Washer—1/4" Flat	1 ea.
13	9090	Washer—5/16" Flat	1 ea.

## FRAMES - Growth Kits



Note:

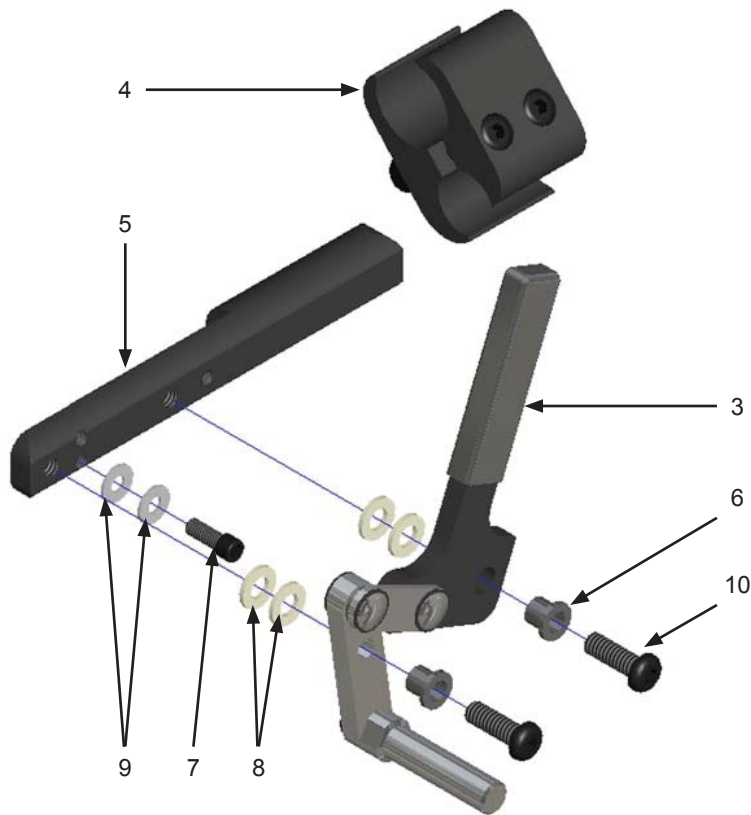
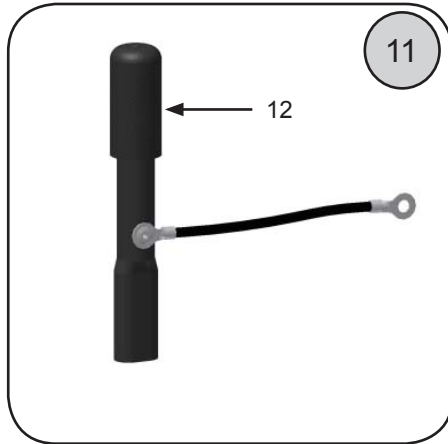
- Part numbers ending in -FB include removable footboards.
- If not ordering back posts, when growing chair, please be sure to order a new back spreader bar for appropriate new width—see page 5, item 3.
- Must also order new back spreader bar - see page 7

No.	PART #	DESCRIPTION	QTY
1	16202-12S	Frame Assembly—12" Wide, 75° Straight, Standard, Adult, Small	1 ea.
	16202-12M	Frame Assembly—12" Wide, 75° Straight, Standard, Adult, Medium	1 ea.
	16202-12L	Frame Assembly—12" Wide, 75° Straight, Standard, Adult, Long	1 ea.
	16202-14S	Frame Assembly—14" Wide, 75° Straight, Standard, Adult, Small	1 ea.
	16202-14M	Frame Assembly—14" Wide, 75° Straight, Standard, Adult, Medium	1 ea.
	16202-14L	Frame Assembly—14" Wide, 75° Straight, Standard, Adult, Long	1 ea.
	16202-16S	Frame Assembly—16" Wide, 75° Straight, Standard, Adult, Small	1 ea.
	16202-16M	Frame Assembly—16" Wide, 75° Straight, Standard, Adult, Medium	1 ea.
	16202-16L	Frame Assembly—16" Wide, 75° Straight, Standard, Adult, Long	1 ea.
	16202-18S	Frame Assembly—18" Wide, 75° Straight, Standard, Adult, Short	1 ea.
	16202-18M	Frame Assembly—18" Wide, 75° Straight, Standard, Adult, Medium	1 ea.
	16202-18L	Frame Assembly—18" Wide, 75° Straight, Standard, Adult, Long	1 ea.
1-FB	16202-12S-FB	Frame Assy—12" Wide, 75° Straight, Std, Adult, Small, w/Footboard	1 ea.
	16202-12M-FB	Frame Assy—12" Wide, 75° Straight, Std, Adult, Medium, w/Footboard	1 ea.
	16202-12L-FB	Frame Assy—12" Wide, 75° Straight, Std, Adult, Long, w/Footboard	1 ea.
	16202-14S-FB	Frame Assy—14" Wide, 75° Straight, Std, Adult, Small, w/Footboard	1 ea.
	16202-14M-FB	Frame Assy—14" Wide, 75° Straight, Std, Adult, Med, w/Footboard	1 ea.

## FRAMES

No.	PART #	DESCRIPTION	QTY
	16202-14L-FB	Frame Assy—14" Wide, 75° Straight, Std, Adult, Long, w/Footboard	1 ea.
	16202-16S-FB	Frame Assy—16" Wide, 75° Straight, Std, Adult, Small, w/Footboard	1 ea.
	16202-16M-FB	Frame Assy—16" Wide, 75° Straight, Std, Adult, Medium, w/Footboard	1 ea.
	16202-16L-FB	Frame Assy—16" Wide, 75° Straight, Std, Adult, Long, w/Footboard	1 ea.
	16202-18S-FB	Frame Assy—18" Wide, 75° Straight, Std, Adult, Short, w/Footboard	1 ea.
	16202-18M-FB	Frame Assy—18" Wide, 75° Straight, Std, Adult, Medium, w/Footboard	1 ea.
	16202-18L-FB	Frame Assy—18" Wide, 75° Straight, Std, Adult, Long, w/Footboard	1 ea.
2	16203-12S	Frame Assembly—12" Wide, 90° Straight, Standard, Adult, Short	1 ea.
	16203-12M	Frame Assembly—12" Wide, 90° Straight, Standard, Adult, Medium	1 ea.
	16203-12L	Frame Assembly—12" Wide, 90° Straight, Standard, Adult, Long	1 ea.
	16203-14S	Frame Assembly—14" Wide, 90° Straight, Standard, Adult, Small	1 ea.
	16203-14M	Frame Assembly—14" Wide, 90° Straight, Standard, Adult, Medium	1 ea.
	16203-14L	Frame Assembly—14" Wide, 90° Straight, Standard, Adult, Long	1 ea.
	16203-16S	Frame Assembly—16" Wide, 90° Straight, Standard, Adult, Small	1 ea.
	16203-16M	Frame Assembly—16" Wide, 90° Straight, Standard, Adult, Medium	1 ea.
	16203-16L	Frame Assembly—16" Wide, 90° Straight, Standard, Adult, Long	1 ea.
	16203-18S	Frame Assembly—18" Wide, 90° Straight, Standard, Adult, Small	1 ea.
	16203-18M	Frame Assembly—18" Wide, 90° Straight, Standard, Adult, Medium	1 ea.
	16203-18L	Frame Assembly—18" Wide, 90° Straight, Standard, Adult, Long	1 ea.
2-FB	16203-12S-FB	Frame Assy—12" Wide, 90° Straight, Std, Adult, Short, w/Footboard	1 ea.
	16203-12M-FB	Frame Assy—12" Wide, 90° Straight, Std, Adult, Medium, w/Footboard	1 ea.
	16203-12L-FB	Frame Assy—12" Wide, 90° Straight, Std, Adult, Long, w/Footboard	1 ea.
	16203-14S-FB	Frame Assy—14" Wide, 90° Straight, Std, Adult, Small, w/Footboard	1 ea.
	16203-14M-FB	Frame Assy—14" Wide, 90° Straight, Std, Adult, Medium, w/Footboard	1 ea.
	16203-14L-FB	Frame Assy—14" Wide, 90° Straight, Std, Adult, Long, w/Footboard	1 ea.
	16203-16S-FB	Frame Assy—16" Wide, 90° Straight, Std, Adult, Small, w/Footboard	1 ea.
	16203-16M-FB	Frame Assy—16" Wide, 90° Straight, Std, Adult, Medium, w/Footboard	1 ea.
	16203-16L-FB	Frame Assy—16" Wide, 90° Straight, Std, Adult, Long, w/Footboard	1 ea.
	16203-18S-FB	Frame Assy—18" Wide, 90° Straight, Std, Adult, Small, w/Footboard	1 ea.
	16203-18M-FB	Frame Assy—18" Wide, 90° Straight, Std, Adult, Medium, w/Footboard	1 ea.
	16203-18L-FB	Frame Assy—18" Wide, 90° Straight, Std, Adult, Long, w/Footboard	1 ea.
3	16205-10	Frame Assembly—10" Wide , 90° Pediatric	1 ea.
	16205-12	Frame Assembly—12" Wide , 90° Pediatric	1 ea.
	16205-14	Frame Assembly—14" Wide , 90° Pediatric	1 ea.
	16205-16	Frame Assembly—16" Wide , 90° Pediatric	1 ea.
	16205-18	Frame Assembly—18" Wide , 90° Pediatric	1 ea.
3-FB	16205-10-FB	Frame Assembly—10" Wide , 90° Pediatric, w/Footboard	1 ea.
	16205-12-FB	Frame Assembly—12" Wide , 90° Pediatric, w/Footboard	1 ea.
	16205-14-FB	Frame Assembly—14" Wide , 90° Pediatric, w/Footboard	1 ea.
	16205-16-FB	Frame Assembly—16" Wide , 90° Pediatric, w/Footboard	1 ea.
	16205-18-FB	Frame Assembly—18" Wide , 90° Pediatric, w/Footboard	1 ea.

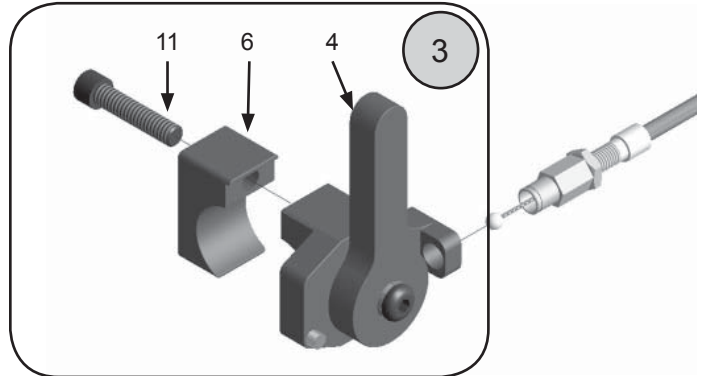
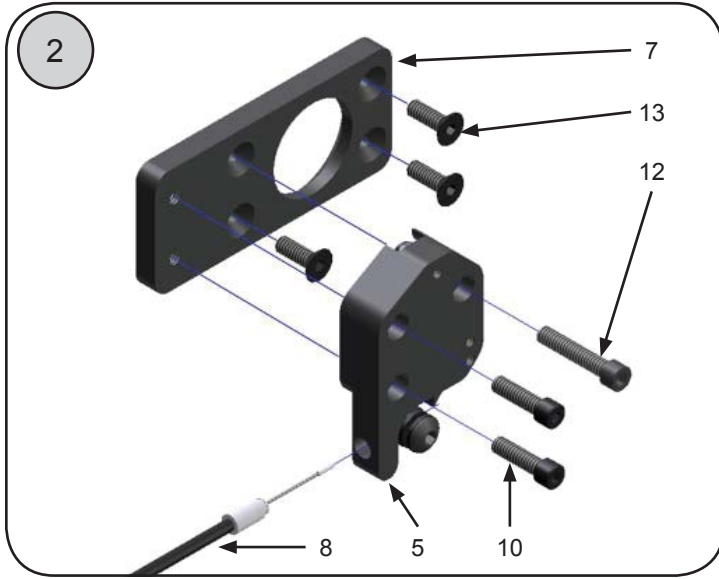
# WHEEL LOCKS



**Note:**  
Position of stop screw (item 7) determines push or pull to lock configuration.

No.	PART #	DESCRIPTION	QTY	No.	PART #	DESCRIPTION	QTY
1	16211-R	Push/Pull Wheel Lock with Clamp—Rt.	1 ea.	4	5015	Wheel Lock Mounting Clamp	1 ea.
	16211-L	Push/Pull Wheel Lock with Clamp—Lt.	1 ea.	5	16214	Wheel Lock Swivel Arm	1 ea.
	16211	Push/Pull Wheel Locks with Clamps	1 ea.	6	5028	Bushing	1 ea.
2	16212-R	Push/Pull Wheel Lock w/o Clamp—Rt.	1 ea.	7	5029	Stop / Configuration Screw	1 ea.
	16212-L	Push/Pull Wheel Lock w/o Clamp—Lt.	1 ea.	8	9010	Washer—1/4" Flat Nylon	1 ea.
	16212	Push/Pull Wheel Locks w/o Clamps	1 pr.	9	9031A	Washer—#10 Flat	1 ea.
3	16213-R	Push/Pull Lever Assembly—Right	1 ea.	10	9032	Screw—1/4-20 x 3/4" Button Head	1 ea.
	16213-L	Push/Pull Lever Assembly—Left	1 ea.	11	10064	Wheel Lock Extension	1 ea.
	16213	Push/Pull Lever Assemblies	1 pr.	12	5016B	Cap for Wheel Lock Extension	1 ea.

# HUB LOCK



1 Assemblies consist of items (2) - hub lock actuator assemblies & (3) - lever / clamp assembly

No.	PART #	DESCRIPTION	QTY	No.	PART #	DESCRIPTION	QTY
1	13091	Hub Lock Assy —Short Cables	1 pr.	5	13080-R	Actuator Assembly—Right	1 ea.
	13093	Hub Lock Assy —Long Cables	1 pr.		13080-L	Actuator Assembly—Left	1 ea.
	13091-R	Hub Lock Assy —Short Cables, Right	1 ea.		13080	Lever Assemblies—Actuator	1 pr.
	13091-L	Hub Lock Assy —Short Cables, Left	1 ea.	6	13082-1	Inner Clamp	1 ea.
	13093-R	Hub Lock Assy —Long Cables, Right	1 ea.	7	16209-1	Adapter Plate	1 ea.
	13093-L	Hub Lock Assy —Long Cables, Left	1 ea.		16209-2	Adapter Plates	1 pr.
2	13088-R	Actuator—Right with Short Cable	1 ea.	8	13084-1	Cable—Short	1 ea.
	13088-L	Actuator—Left with Short Cable	1 ea.		13084	Cables—Short	1 pr.
	13088	Actuators—with Short Cables	1 pr.		13086-1	Cable—Long	1 ea.
	13090-R	Actuator—Right with Long Cable	1 ea.		13086	Cables—Long	1 pr.
	13090-L	Actuator—Left with Long Cable	1 ea.	9	See Notes	Wheel Assembly	1 ea.
	13090	Actuators—with Long Cables	1 pr.	10	9060A	Screw—1/4-20 x 7/8" Socket Head	1 ea.
3	13087-R	Lever / Clamp Assembly—Right	1 ea.	11	9061	Screw—1/4-20 x 1" Socket Head	1 ea.
	13087-L	Lever / Clamp Assembly—Left	1 ea.	12	9062	Screw—1/4-20 x 1 1/4" Socket Head	1 ea.
	13087	Lever / Clamp Assemblies	1 pr.	13	9046	Screw—1/4-20 x 3/4" Socket Head	1 ea.
4	13081-R	Lever—Right without Cable	1 ea.				
	13081-L	Lever—Right without Cable	1 ea.				
	13081	Levers without Cables	1 pr.				

# WHEEL ASSEMBLIES - Adult Mag & Spoke

## For Adult Chairs Only



Mag Wheel  
20", 22", 24"



Spoke Wheel  
20", 22", 24"

### Mag Wheel with Tire & Tube

PART #	DESCRIPTION	QTY	PART #	DESCRIPTION	QTY
10026-1	20" Mag Wheel with Tire & Tube	1 ea.	10028-1	24" Mag Wheel with Tire & Tube	1 ea.
10027-1	22" Mag Wheel with Tire & Tube	1 ea.			

### Mag Wheel with Tire & Insert

PART #	DESCRIPTION	QTY	PART #	DESCRIPTION	QTY
10003-1	20" Mag Wheel with Tire & Insert	1 ea.	10005-1	24" Mag Wheel with Tire & Insert	1 ea.
10004-1	22" Mag Wheel with Tire & Insert	1 ea.			

### Mag Wheel with Tire, Tube & Handrim

PART #	DESCRIPTION	QTY	PART #	DESCRIPTION	QTY
10030-1	20" Mag Wheel with Tire, Tube & Handrim	1 ea.	12030-1	20" Mag Wheel / Tire, Tube & Plastic Handrim	1 ea.
10031-1	22" Mag Wheel with Tire, Tube & Handrim	1 ea.	12031-1	22" Mag Wheel / Tire, Tube & Plastic Handrim	1 ea.
10032-1	24" Mag Wheel with Tire, Tube & Handrim	1 ea.	12032-1	20" Mag Wheel / Tire, Tube & Plastic Handrim	1 ea.

### Mag Wheel with Tire, Insert & Handrim

PART #	DESCRIPTION	QTY	PART #	DESCRIPTION	QTY
10007-1	20" Mag Wheel with Tire, Insert & Handrim	1 ea.	12007-1	20" Mag Wheel / Tire, Insert & Plastic Handrim	1 ea.
10008-1	22" Mag Wheel with Tire, Insert & Handrim	1 ea.	12008-1	22" Mag Wheel / Tire, Insert & Plastic Handrim	1 ea.
10009-1	24" Mag Wheel with Tire, Insert & Handrim	1 ea.	12009-1	20" Mag Wheel / Tire, Insert & Plastic Handrim	1 ea.

### Spoke Wheel with Tire & Tube

### Spoke Wheel with Tire & Insert

PART #	DESCRIPTION	QTY	PART #	DESCRIPTION	QTY
10016-1	20" Spoke Wheel with Tire & Tube	1 ea.	10013-1	20" Spoke Wheel with Tire & Insert	1 ea.
10017-1	22" Spoke Wheel with Tire & Tube	1 ea.	10014-1	22" Spoke Wheel with Tire & Insert	1 ea.
10018-1	24" Spoke Wheel with Tire & Tube	1 ea.	10015-1	24" Spoke Wheel with Tire & Insert	1 ea.

### Spoke Wheel with Tire, Tube & Handrim

### Spoke Wheel with Tire, Insert & Handrim

PART #	DESCRIPTION	QTY	PART #	DESCRIPTION	QTY
10016-1	20" Spoke Wheel with Tire, Tube & Handrim	1 ea.	10013-1	20" Spoke Wheel with Tire, Insert & Handrim	1 ea.
10017-1	22" Spoke Wheel with Tire, Tube & Handrim	1 ea.	10014-1	22" Spoke Wheel with Tire, Insert & Handrim	1 ea.
10018-1	24" Spoke Wheel with Tire, Tube & Handrim	1 ea.	10015-1	24" Spoke Wheel with Tire, Insert & Handrim	1 ea.



## WHEEL ASSEMBLIES - Spinerogy/Natural Fit



Spinerogy Wheel  
22" & 24"



Natural Fit Handrim  
22" & 24"  
Regular & Sure Grip

Spinerogy Wheel with Tire & Tube

Spinerogy Wheel with Tire & Insert

PART #	DESCRIPTION	QTY	PART #	DESCRIPTION	QTY
30000-22	22" Spinerogy Wheel with Tire & Tube	1 pr.	30001-22	22" Spinerogy Wheel w/ Tire & Insert	1 pr.
30000-24	24" Spinerogy Wheel with Tire & Tube	1 pr.	30001-24	24" Spinerogy Wheel with Tire & Insert	1 pr.

Spinerogy Wheel / Tire, Tube & Handrim

Spinerogy Wheel / Tire, Insert & Handrim

PART #	DESCRIPTION	QTY	PART #	DESCRIPTION	QTY
30002-22	22" Spinerogy Wheel w/ Tire, Tube & Handrim	1 pr.	30003-22	22" Spinerogy Wheel with Tire, Insert & Handrim	1 pr.
30002-24	24" Spinerogy Wheel w/ Tire, Tube & Handrim	1 pr.	30003-24	24" Spinerogy Wheel with Tire, Insert & Handrim	1 pr.

Spinerogy Wheel / Tire, Tube & Natural Fit Handrim  
Regular Grip

Spinerogy Wheel / Tire, Tube & Natural Fit Handrim  
Sure Grip

PART #	DESCRIPTION	QTY	PART #	DESCRIPTION	QTY
30006-22	22" Spinerogy Wheel / Tire, Tube & Natural Fit Handrim—Regular Grip	1 pr.	30003-22	22" Spinerogy Wheel / Tire, Tube & Natural Fit Handrim—Sure Grip	1 pr.
30006-24	24" Spinerogy Wheel / Tire, Tube & Natural Fit Handrim—Regular Grip	1 pr.	30004-24	24" Spinerogy Wheel / Tire, Tube & Natural Fit Handrim—Sure Grip	1 pr.

Spinerogy Wheel / Tire, Insert & Natural Fit Handrim  
Regular Grip

Spinerogy Wheel / Tire, Insert & Natural Fit Handrim  
Sure Grip

PART #	DESCRIPTION	QTY	PART #	DESCRIPTION	QTY
30005-22	22" Spinerogy Wheel / Tire, Insert & Natural Fit Handrim—Regular Grip	1 pr.	30003-22	22" Spinerogy Wheel / Tire, Tube & Natural Fit Handrim—Sure Grip	1 pr.
30005-24	24" Spinerogy Wheel / Tire, Insert & Natural Fit Handrim—Regular Grip	1 pr.	30007-24	24" Spinerogy Wheel / Tire, Tube & Natural Fit Handrim—Sure Grip	1 pr.

## WHEEL ASSEMBLIES - With Hub Lock Adapters

### Mag Wheel with Tire, Tube & Hub Lock Adapter

PART #	DESCRIPTION	QTY
13214	20" Mag Wheel with Tire, Tube & Hub Lock Adapter	1 pr.
13215	22" Mag Wheel with Tire, Tube & Hub Lock Adapter	1 pr.
13216	24" Mag Wheel with Tire, Tube & Hub Lock Adapter	1 pr.

### Mag Wheel with Tire, Insert & Hub Lock Adapter

PART #	DESCRIPTION	QTY
13220	20" Mag Wheel with Tire, Insert & Hub Lock Adapter	1 pr.
13221	22" Mag Wheel with Tire, Insert & Hub Lock Adapter	1 pr.
13222	24" Mag Wheel with Tire, Insert & Hub Lock Adapter	1 pr.

### Mag Wheel with Tire, Tube, Handrim & Hub Lock Adapter

PART #	DESCRIPTION	QTY
13225	20" Mag Wheel with Tire, Tube, Handrim & Hub Lock Adapter	1 pr.
13226	22" Mag Wheel with Tire, Tube, Handrim & Hub Lock Adapter	1 pr.
13227	24" Mag Wheel with Tire, Tube, Handrim & Hub Lock Adapter	1 pr.
13228	20" Mag Wheel with Tire, Tube, Plastic Coated Handrim & Hub Lock Adapter	1 pr.
13229	22" Mag Wheel with Tire, Tube, Plastic Coated Handrim & Hub Lock Adapter	1 pr.
13230	24" Mag Wheel with Tire, Tube, Plastic Coated Handrim & Hub Lock Adapter	1 pr.

### Mag Wheel with Tire, Insert, Handrim & Hub Lock Adapter

PART #	DESCRIPTION	QTY
13233	20" Mag Wheel with Tire, Insert, Handrim & Hub Lock Adapter	1 pr.
13234	22" Mag Wheel with Tire, Insert, Handrim & Hub Lock Adapter	1 pr.
13235	24" Mag Wheel with Tire, Insert, Handrim & Hub Lock Adapter	1 pr.
13236	20" Mag Wheel with Tire, Insert, Plastic Coated Handrim & Hub Lock Adapter	1 pr.
13237	22" Mag Wheel with Tire, Insert, Plastic Coated Handrim & Hub Lock Adapter	1 pr.
13238	24" Mag Wheel with Tire, Insert, Plastic Coated Handrim & Hub Lock Adapter	1 pr.

# WHEEL ASSEMBLIES - Pediatric

## For Pediatric Chairs Only



Mag Wheel  
16" & 18"

### Mag Wheel with Tire & Tube

PART #	DESCRIPTION	QTY	PART #	DESCRIPTION	QTY
10024-1	16" Mag Wheel with Tire & Tube	1 ea.	10025-1	18" Mag Wheel with Tire & Tube	1 ea.

### Mag Wheel with Tire & Insert

PART #	DESCRIPTION	QTY	PART #	DESCRIPTION	QTY
10001-1	16" Mag Wheel with Tire & Insert	1 ea.	10002-1	18" Mag Wheel with Tire & Insert	1 ea.

### Mag Wheel with Tire, Tube & Handrim

PART #	DESCRIPTION	QTY	PART #	DESCRIPTION	QTY
10033-1	16" Mag Wheel with Tire, Tube & Handrim	1 ea.	10029-1	18" Mag Wheel with Tire, Tube & Handrim	1 ea.

### Mag Wheel with Tire, Insert & Handrim

PART #	DESCRIPTION	QTY	PART #	DESCRIPTION	QTY
10034-1	16" Mag Wheel with Tire, Insert & Handrim	1 ea.	10006-1	1" Mag Wheel with Tire, Insert & Handrim	1 ea.

## WHEEL ASSEMBLIES -HUB LOCK—PEDIATRIC

### Mag Wheel with Tire, Tube & Hub Lock Adapter

PART #	DESCRIPTION	QTY	PART #	DESCRIPTION	QTY
13212	16" Mag Wheel with Tire, Tube & Hub Lock	1 pr.	13213	18" Mag Wheel with Tire, Tube & Hub Lock	1 pr.

### Mag Wheel with Tire, Insert & Hub Lock Adapter

PART #	DESCRIPTION	QTY	PART #	DESCRIPTION	QTY
13218	16" Mag Wheel with Tire, Insert & Hub Lock	1 pr.	13219	18" Mag Wheel with Tire, Insert & Hub Lock	1 pr.

### Mag Wheel with Tire, Tube, Handrim & Hub Lock Adapter

PART #	DESCRIPTION	QTY	PART #	DESCRIPTION	QTY
13223	16" Mag Wheel with Tire, Tube, Handrim & Hub Lock	1 pr.	13224	18" Mag Wheel with Tire, Tube, Handrim & Hub Lock	1 pr.

### Mag Wheel with Tire, Insert, Handrim & Hub Lock Adapter

PART #	DESCRIPTION	QTY	PART #	DESCRIPTION	QTY
13231	16" Mag Wheel with Tire, Insert, Handrim & Hub Lock	1 pr.	13232	18" Mag Wheel with Tire, Tube, Handrim & Hub Lock	1 pr.

## WHEEL OPTION - Standard

### Wheels Only

PART #	DESCRIPTION	QTY	PART #	DESCRIPTION	QTY
4023	20" Mag Rim with Bearings	1 ea.	4025	24" Mag Rim with Bearings	1 ea.
4023a	20" Spoke Rim with Bearings	1 ea.	4025a	24" Spoke Rim with Bearings	1 ea.
4024	22" Mag Rim with Bearings	1 ea.	30008-22	22" Spinergy Rim with Bearings	1 ea.
4024a	22" Spoke Rim with Bearings	1 ea.	30008-24	24" Spinergy Rim with Bearings	1 ea.

### Tires

PART #	DESCRIPTION	QTY	PART #	DESCRIPTION	QTY
4033	20" x 1 3/8" Pneumatic Tire	1 ea.	4035	24" x 1 3/8" Pneumatic Tire	1 ea.
4034	22" x 1 3/8" Pneumatic Tire	1 ea.			

### Inner Tubes

PART #	DESCRIPTION	QTY	PART #	DESCRIPTION	QTY
4039	20" x 1 3/8" Inner Tube	1 ea.	4041	24" x 1 3/8" Inner Tube	1 ea.
4040	22" x 1 3/8" Inner Tube	1 ea.			

### Solid Inserts

PART #	DESCRIPTION	QTY	PART #	DESCRIPTION	QTY
4045	20" x 1 3/8" Solid Insert	1 ea.	4047	24" x 1 3/8" Solid Insert	1 ea.
4046	22" x 1 3/8" Solid Insert	1 ea.			

### Wheel Components

PART #	DESCRIPTION	QTY	PART #	DESCRIPTION	QTY
2009	1 1/8" x 1/2" Bearing	1 ea.	4058	Handrim Spacer	1 ea.
4000	Hub Cap	1 ea.			

### Handrims

PART #	DESCRIPTION	QTY	PART #	DESCRIPTION	QTY
4048	20" Aluminum Handrim	1 ea.	4055	24" Plastic Coated Handrim	1 ea.
4049	22" Aluminum Handrim	1 ea.	30009-22	22" Natural Fit Handrim—Regular Grip	1 ea.
4050	24" Aluminum Handrim	1 ea.	30009-24	24" Natural Fit Handrim—Regular Grip	1 ea.
4053	20" Plastic Coated Handrim	1 ea.	30010-22	22" Natural Fit Handrim—Sure Grip	1 ea.
4054	22" Plastic Coated Handrim	1 ea.	30010-24	24" Natural Fit Handrim—Sure Grip	1 ea.

### Spoke Guards (for spoked wheels only)

PART #	DESCRIPTION	QTY	PART #	DESCRIPTION	QTY
4090	Spoke Guards—20"	1 pr.	4092	Spoke Guards—24"	1 pr.
4091	Spoke Guards—22"	1 pr.			

## WHEEL OPTION - Pediatric

### Wheels Only

PART #	DESCRIPTION	QTY	PART #	DESCRIPTION	QTY
4021	16" Mag Rim with Bearings	1 ea.	4022	18" Mag Rim with Bearings	1 ea.

### Tires

PART #	DESCRIPTION	QTY	PART #	DESCRIPTION	QTY
4031	16" x 1 3/8" Pneumatic Tire	1 ea.	4032	18" x 1 3/8" Pneumatic Tire	1 ea.

### Inner Tubes

PART #	DESCRIPTION	QTY	PART #	DESCRIPTION	QTY
4037	16" x 1 3/8" Inner Tube	1 ea.	4038	18" x 1 3/8" Inner Tube	1 ea.

### Solid Inserts

PART #	DESCRIPTION	QTY	PART #	DESCRIPTION	QTY
4043	16" x 1 3/8" Solid Insert	1 ea.	4044	18" x 1 3/8" Solid Insert	1 ea.

### Wheel Components

PART #	DESCRIPTION	QTY	PART #	DESCRIPTION	QTY
2009	1 1/8" x 1/2" Bearing	1 ea.	4058	Handrim Spacer	1 ea.
4000	Hub Cap	1 ea.			

### Handrims

PART #	DESCRIPTION	QTY	PART #	DESCRIPTION	QTY
4056	16" Aluminum Handrim	1 ea.	4057	18" Aluminum Handrim	1 ea.

## UPHOLSTERY - Seats & Backs

### SLING SEAT

No.	PART #	DESCRIPTION	QTY
1	16100	Seat Sling—10" Wide	1 ea.
	16102	Seat Sling—12" Wide	1 ea.
	16104	Seat Sling—14" Wide	1 ea.
	16106	Seat Sling—16" Wide	1 ea.
	16108	Seat Sling—18" Wide	1 ea.
		Specify Seat Depth	
2	16111	Seat Sling Metal Insert—11" Deep	1 ea.
	16112	Seat Sling Metal Insert—12" Deep	1 ea.
	16113	Seat Sling Metal Insert—13" Deep	1 ea.
	16114	Seat Sling Metal Insert—14" Deep	1 ea.
	16115	Seat Sling Metal Insert—15" Deep	1 ea.
	16116	Seat Sling Metal Insert—16" Deep	1 ea.
	16117	Seat Sling Metal Insert—17" Deep	1 ea.
	16118	Seat Sling Metal Insert—18" Deep	1 ea.
3	9031A	Washer—#10 Flat	1 ea.
4	9031B	Washer—#10 Finish	1 ea.
5	9032B	Screw—10-32 x 3/4" Button Head	1 ea.

### \*SLING BACK—FOLD OVER FOR STRAIGHT BACK FRAMES

No.	PART #	DESCRIPTION	QTY
1	16020	Fold Over Sling Back—10" Wide	1 ea.
	16022	Fold Over Sling Back—12" Wide	1 ea.
	16024	Fold Over Sling Back—14" Wide	1 ea.
	16026	Fold Over Sling Back—16" Wide	1 ea.
	16028	Fold Over Sling Back—18" Wide	1 ea.

### \*SLING BACK—FOR PUSH HANDLE STYLE BACK FRAMES

No.	PART #	DESCRIPTION	QTY
1	16030	Push Handle Style Sling Back—10" Wide	1 ea.
	16032	Push Handle Style Sling Back—12" Wide	1 ea.
	16034	Push Handle Style Sling Back—14" Wide	1 ea.
	16036	Push Handle Style Sling Back—16" Wide	1 ea.
	16038	Push Handle Style Sling Back—18" Wide	1 ea.

\* WHEN ORDERING BACK UPHOLSTERY, BACK UPHOLSTERY HEIGHT MUST BE SPECIFIED.

# WARRANTY

## Freedom Designs, Inc. Limited Warranty

**PLEASE NOTE: THE WARRANTY BELOW HAS BEEN DRAFTED TO COMPLY WITH FEDERAL LAW APPLICABLE TO PRODUCTS MANUFACTURED AFTER JULY 4, 1975. THIS WARRANTY IS EXTENDED ONLY TO THE ORIGINAL PURCHASER/USER WHO PURCHASES THIS PRODUCT WHEN NEW AND UNUSED DIRECTLY FROM FREEDOM DESIGNS OR AN AUTHORIZED DEALER OR DISTRIBUTOR. THIS WARRANTY GIVES SPECIFIC LEGAL RIGHTS AND YOU MAY ALSO HAVE OTHER LEGAL RIGHTS WHICH VARY FROM STATE TO STATE.**

**Limited Warranty – USA:** All Freedom Designs' wheelchair frames, quick release axles and hardware are warranted against defects in material and workmanship for **five (5) years** from the date of purchase. All other manufactured and distributed parts and components (including frame components, seating components, axle plates, armrests and backrests) are warranted for **one (1) year** from said purchase date. **There is no warranty for tires, tubes, and push handle grips.** If within such warranty periods any product component eligible for coverage under this warranty shall be proven to be defective, Freedom Designs will, at its option, either replace or repair the product, or will supply the original purchaser with replacement parts. Freedom Designs' sole obligation and your exclusive remedy under this warranty shall be limited to such repair and/or replacement of defective parts and shall not apply to problems arising from normal wear and tear or failure to adhere to the product instructions. This warranty does not include any labor or shipping charges incurred in replacement part installation or repair. Freedom Designs' sole obligation and your exclusive remedy under this warranty shall be limited to such repair and/or replacement.

**Limited Warranty - International:** All Freedom Designs' wheelchair frames & quick release axles are warranted against defects in material and workmanship for **five (5) years** from the date of purchase. All other manufactured and distributed parts and components (including frame components, axle plates, armrests and backrests) are warranted for **one (1) year** from said purchase date. All hardware is warranted for **two (2) years** after the date of purchase to be free from defects and shall not apply to problems arising from normal wear and tear or failure to adhere to product instructions. **There is no warranty for tires, tubes, and push handle grips.** If within such warranty periods any product component eligible for coverage under this warranty shall be proven to be defective, Freedom Designs will, at its option, either replace or repair the product, or will supply the customer with replacement parts. Freedom Designs' sole obligation and your exclusive remedy under this warranty shall be limited to such repair and/or replacement. This warranty does not include any labor or shipping charges incurred in replacement part installation or repair. Freedom Designs' sole obligation and your exclusive remedy under this warranty shall be limited to such repair and/or replacement.

**Limitations & Exclusions – USA & International:** The foregoing limited warranties shall **not apply** to: Tires, tubes and push handle grips; Serial numbered products if the serial number has been removed or defaced; Products subjected to negligence, accident, improper operation, maintenance, or storage; Products modified without Freedom Designs' express written consent including, but not limited to, modification through the use of unauthorized parts or attachments; Products damaged by reason of repairs made to any component without the specific consent of Freedom Designs, or to products damaged by circumstances beyond Freedom Designs' control; Problems arising from normal wear or failure to adhere to these instructions; and with any such warranty eligibility evaluation to be solely determined by Freedom Designs;.

**THE FOREGOING LIMITED WARRANTIES ARE EXCLUSIVE AND IN LIEU OF ANY OTHER WARRANTIES WHATSOEVER, WHETHER EXPRESS OR IMPLIED, INCLUDING THE IMPLIED WARRANTIES OF MERCHANTABILITY AND FITNESS FOR A PARTICULAR PURPOSE, AND THE SOLE REMEDY FOR VIOLATIONS OF ANY WARRANTY WHATSOEVER SHALL BE LIMITED TO REPAIR OR REPLACEMENT OF THE DEFECTIVE PRODUCT PURSUANT TO THE TERMS CONTAINED HEREIN. THE APPLICATION OF ANY IMPLIED WARRANTY WHATSOEVER SHALL NOT EXTEND BEYOND THE DURATION OF THE EXPRESS WARRANTY PROVIDED HEREIN. FREEDOM DESIGNS SHALL NOT BE LIABLE FOR ANY CONSEQUENTIAL OR INCIDENTAL DAMAGES WHATSOEVER. THESE WARRANTIES SHALL BE EXTENDED TO COMPLY WITH STATE PROVINCIAL LAWS AND REQUIREMENTS.**

**Returns:** An authorization for return must be acquired by an established Freedom Designs, Inc. dealer/distributor before Freedom Designs will accept returned items. The dealer must return items to Freedom Designs, 2241 N. Madera Rd, Simi Valley, CA 93065 USA with freight pre-paid and fully insured with the R.A. # issued by customer service marked on the outside of the box. All returns must be received within 45 days of issuance of the R.A. #. Returns are subject to examination at the discretion of Freedom Designs and may be subject to a 25% restocking fee. Custom fabricated products are non-returnable.

