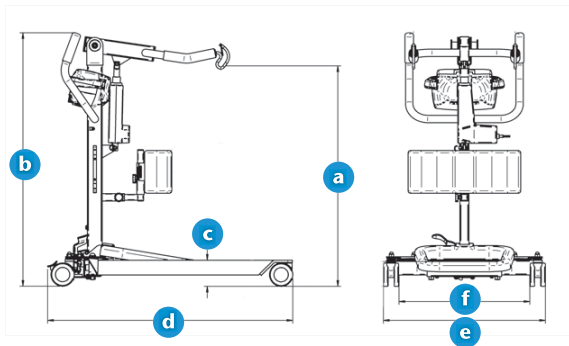
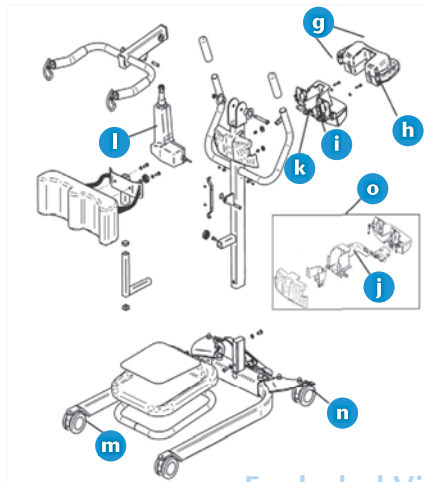


Floor lift Ministand



Dimensions

| Description | | min | | max | |
|-------------|--------------------------------------|------|------|------|------|
| | | cm | in | cm | in |
| a | Hoisting height at connecting points | 95.5 | 37.6 | 154 | 60.6 |
| | | cm | | in | |
| b | Base height | 109 | | 42.9 | |
| c | Total lift height | 11 | | 4.25 | |
| d | Base total length | 105 | | 41.3 | |
| e | External base width (legs closed) | 56.5 | | 22.2 | |
| e | External base width (legs open) | 98 | | 38.6 | |
| f | Internal base width (legs closed) | 70 | | 27.6 | |
| f | Internal base width (legs open) | 110 | | 43.3 | |



Exploded View

Common spare parts

| | | |
|---|----------------|--|
| g | 403.10500 (X2) | Battery |
| h | 700.16200 | Battery pack |
| i | 492.00045-3 | Circuit board - Control box |
| j | 700.16051 | Wall charger - North America |
| j | 700.16058 | Wall charger - Europe & United Kingdom |
| k | 492.00031-4 | Circuit board - Charger |
| l | 700.06610-1 | Actuator |
| m | 000.20430 | Caster Front 4" (10.16cm) |
| n | 000.20435 | Caster back 4" (10.16 cm) |
| o | 492.00045-2 | Circuit board - Wall charger |